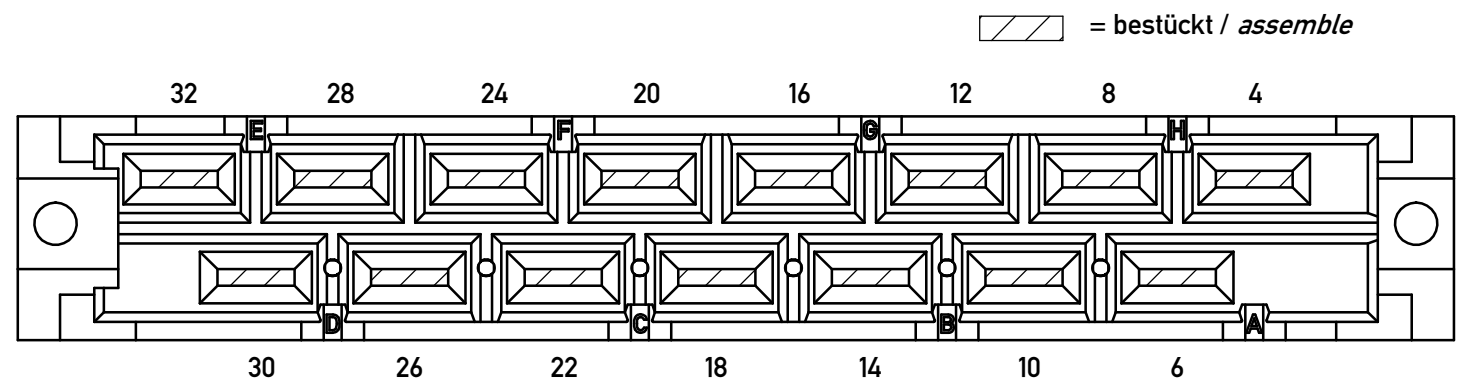


Flachstecker 6,3 x 0,8 mm / blade terminal 6,3 x 0,8 mm
 Anforderungsstufe 1 = 500 Steckzyklen / performance class 1 = 500 mating cycles
 Bauart 3 / type 3

Fehlende Masse und Angaben nach DIN EN 60603-2 /
 Missing information and dimensions according to DIN EN 60603-2

Bestückungsplan / contact layout



Information:		Tolerances	 All Dimensions in mm	Scale	2:1
All rights reserved. Only for Information. To ensure that this is the latest version of this drawing, please contact one of the ERNI companies before using.		Subject to modification without prior notice. Drawing will not be updated.		Designation	
 www.ERNI.com				Federleiste H 15 Female Connector H 15	
e	01.07.2016			413170	
Index	Date			I A3	
				Class	STVH15

Copyright by ERNI Production GmbH & Co. KG
 Proprietary notice pursuant to ISO 16016 to be observed.