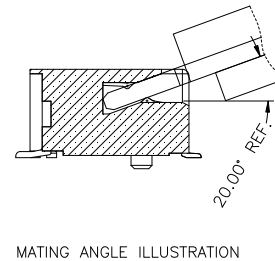
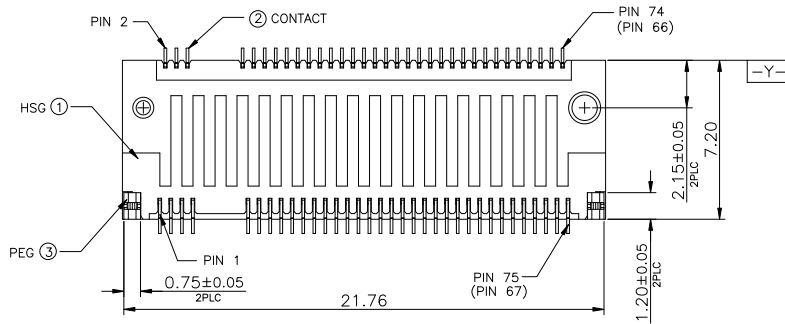
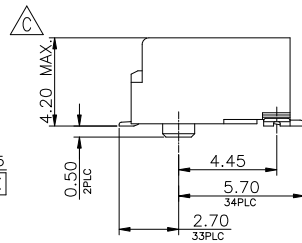
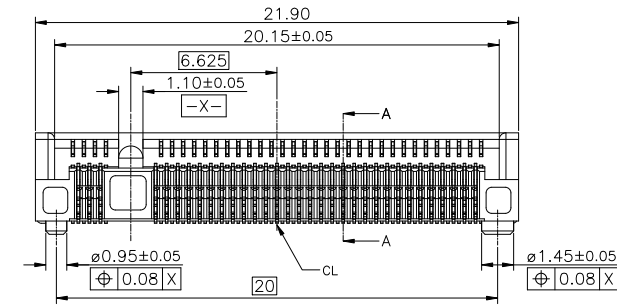


NOTES:

1. MATERIAL:
 - 1.1 HOUSING: HIGH TEMPERATURE THERMOPLASTIC, UL94V-0, COLOR: BLACK.
 - 1.2. CONTACT: COPPER ALLOY.
 - 1.3. SOLDER PEG: STAINLESS STEEL.
2. FINISH:
 - 2.1 CONTACT:
 - UNDERPLATING NICKEL 50u" MIN OVERALL
 - MATING AREA: GOLD PLATING, THICKNESS SEE TABLE
 - SOLDER AREA: GOLD FLASH 1u" MIN.
 - 2.2 SOLDER PEG:
 - UNDERPLATING NICKEL 50u" MIN OVERALL
 - 80u" MIN MATTE TIN ON SURFACE
3. DATE CODE : YYWDLX
 - YY: YEAR (09: 2009)
 - WW: WEEK (25: THE 25TH WEEK)
 - D: DAY (1~7: SUNDAY~SATURDAY)
 - L: LINE NUMBER OF ASSEMBLY (A: LINE A)
 - X: D OR N (D: DAY; N: NIGHT)
4. PRODUCT SPECIFICATION SEE FCI GS-12-1195
5. PART NUMBER DESCRIPTION: 10128792-00XRFLF



- LF: LEAD FREE & RoHS COMPLIANCE
- PACKAGE CODE:
 - R: TAPE & REEL PACKING
 - PLATING CODE:
 - 1: GOLD FLASH ON CONTACT AREA
 - 4: 15u" Min GOLD ON CONTACT AREA
 - 5: 30u" Min GOLD ON CONTACT AREA

30u" Au	10128792-005RLF
15u" Au	10128792-004RLF
GOLD FLASH	10128792-001RLF
CONTACT AREA	FCI P/N

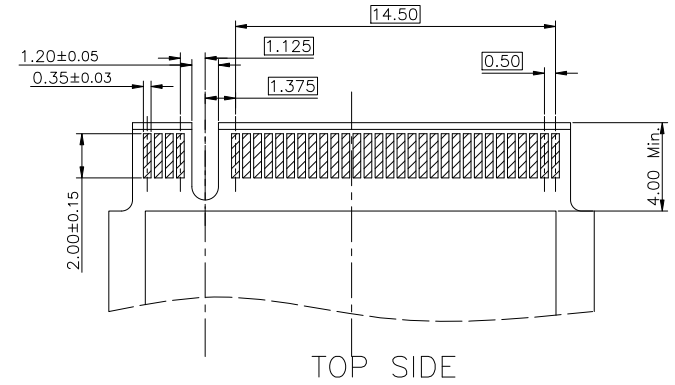
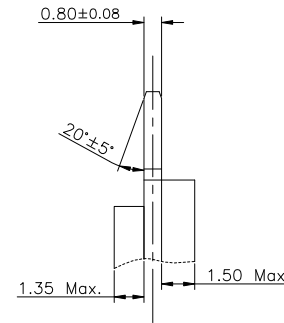
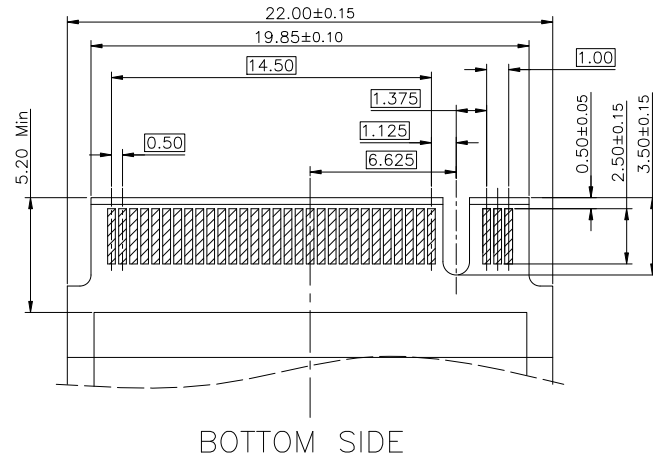
mat'l. code		surface	tolerance	projection	product family
ltr ecn no dr date		tolerances unless otherwise specified		mm	title
A	BF	2013-04-18	angles		
B	ELX-T-19318	TAI	2014-11-10	.XX ±0.25	M.2 CONNECTOR 4.2H_STD_KEY A
C	ELX-T-20858	TAI	2015-05-11	X*±2" .XXX ±0.05	
dr		BEER FU	2013-05-02	scale	sheet 1 of 3 size
enr		BEER FU	2013-05-02		
chr		BEER FU	2013-05-02		Customer Drawing
appd		BEER FU	2013-05-02		
sheet index	revision sheet	C	C	C	
		1	2	3	



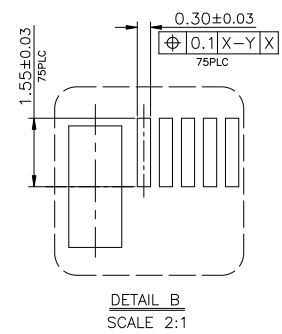
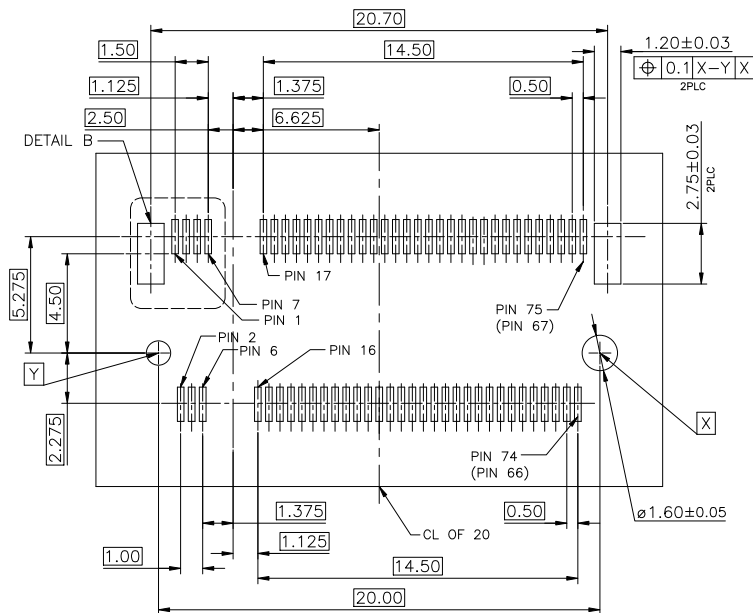
HF
Halogen Free



PLUG PCB



RECOMMENDED PCB LAYOUT



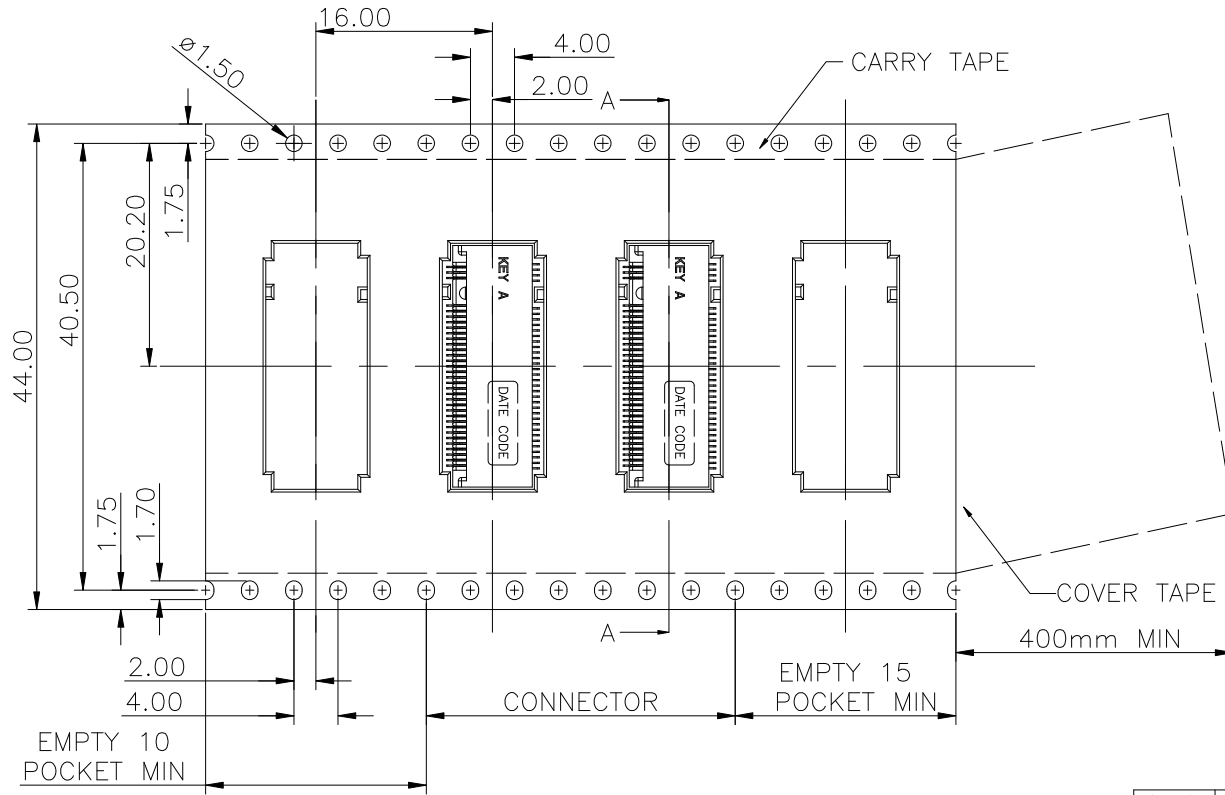
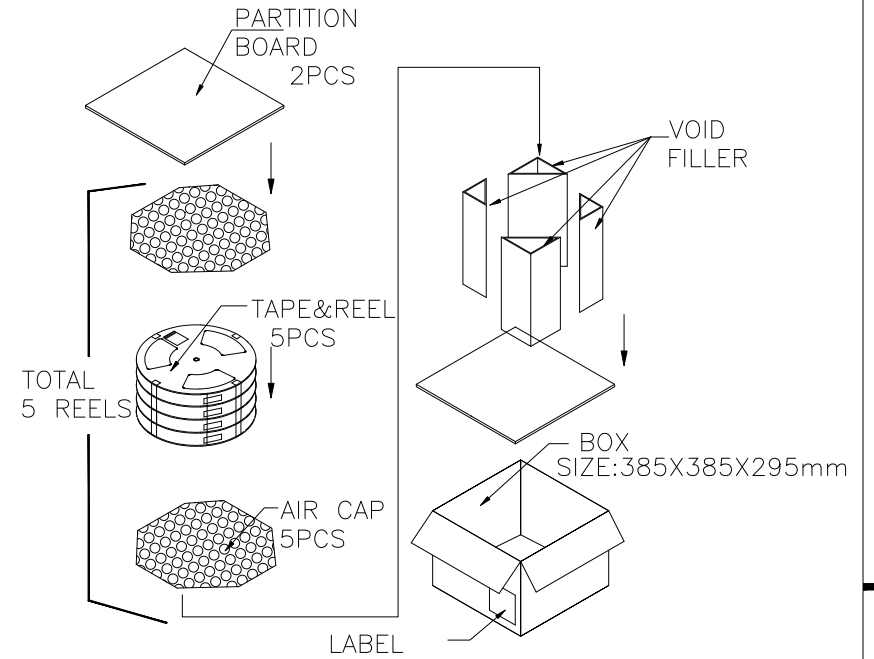
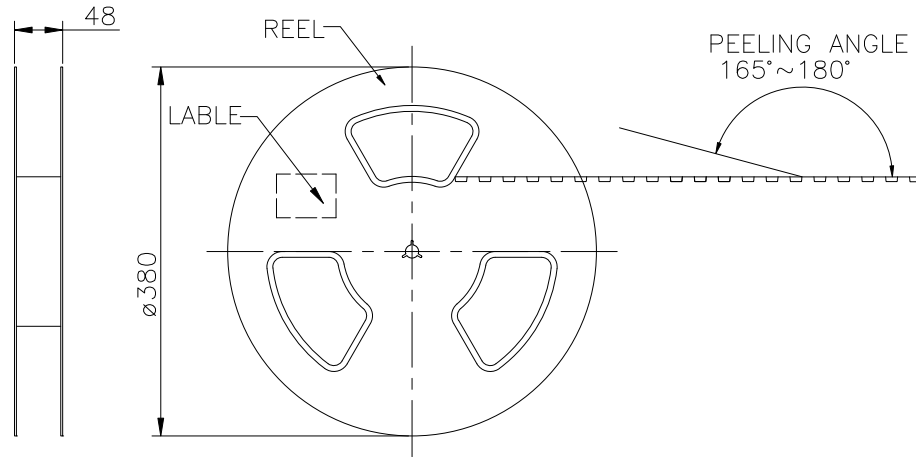
dwg no	sheet 2 of 3	size
10128792		A4
type	Customer Drawing	

sheet index	revision sheet	C	C	C															
	1	2	3																

HF
Halogen Free



FEEDING DIRECTION →



1100	5	5500	10.33Kg	5.53Kg
PCS/ TAPE	REELS/ BOX	PCS/BOX	GROSS WEIGHT	NET WEIGHT

	dwg no	sheet 3 of 3	size
	10128792		A4
	type Customer Drawing		

sheet index	revision sheet	C	C	C															
	1	2	3																