

MAXIM

Dual/Quad RF/Video Switches

IH5341/IH5352

General Description

The IH5341 and the IH5352 are dual and quad, single pole single throw (SPST) switches designed specifically for switching RF and video signals. Maxim's IH5341 and IH5352 incorporate an enhanced series-shunt-series structure, providing 70dB of OFF isolation and cross coupling rejection (an additional 10dB compared with other manufacturers' products).

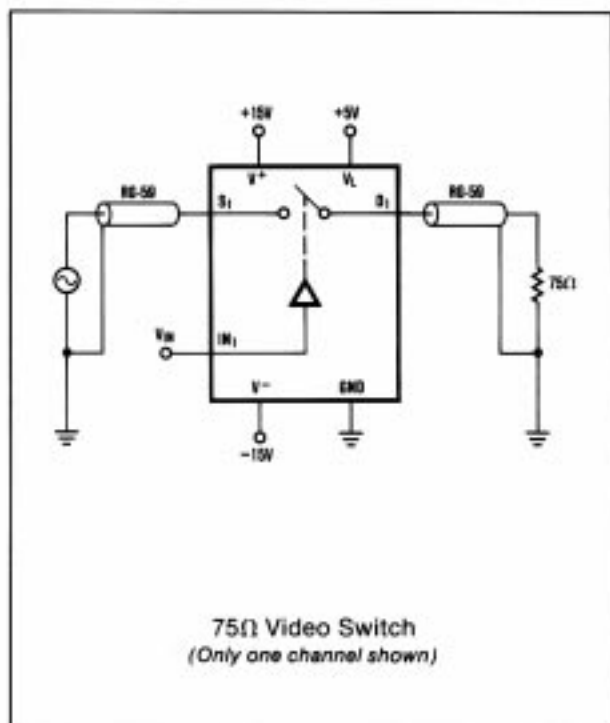
Both devices can be operated with supplies ranging from $\pm 5V$ to $\pm 15V$. The switches typically have a $t_{ON} = 160ns$ and a $t_{OFF} = 70ns$, assuring break-before-make switching. The channel thrupt resistance of 50Ω provides excellent matching to video impedances. In the D.C. state, with switches being either on or off, power supply quiescent currents are typically 100nA. This limits the quiescent current drain to 3μ watts—ideal for portable equipment.

Applications

These devices are used in applications requiring the routing, blocking or switching of video or RF signals such as:

- Commercial TV Cameras
- Video Special Effects
- Low Power RF Switching
- Radar Switching
- Mil and Space Communications

Typical Operating Circuit



Features

- ♦ "OFF" Isolation $\geq 70dB @ 10MHz$
- ♦ Cross Coupling Isolation $\geq 70dB @ 10MHz$
- ♦ $r_{DS(ON)} < 75\Omega$, $< 3dB$ Loss from DC to 100MHz
- ♦ $\pm 5V$ to $\pm 15V$ Operating Supply Range
- ♦ Supply Currents $< 1\mu A$
- ♦ Fast, Break-Before-Make Switching (70ns/160ns typ.)
- ♦ Monolithic, Low Power CMOS Design

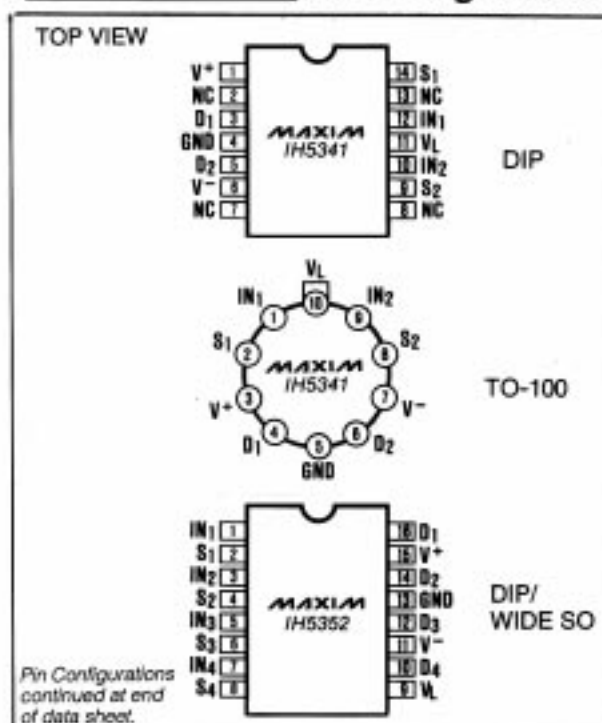
Ordering Information

| PART | TEMP. RANGE | PIN-PACKAGE |
|-----------|-----------------|----------------|
| IH5341CPD | 0°C to +70°C | 14 Plastic DIP |
| IH5341CWE | 0°C to +70°C | 16 Wide SO |
| IH5341C/D | 0°C to +70°C | Dice* |
| IH5341EPD | -40°C to +85°C | 14 Plastic DIP |
| IH5341EWE | -40°C to +85°C | 16 Wide SO |
| IH5341MJD | -55°C to +125°C | 14 CERDIP** |
| IH5341MTW | -55°C to +125°C | 10 TO-100 |
| IH5352CPE | 0°C to +70°C | 18 Plastic DIP |
| IH5352CWE | 0°C to +70°C | 18 Wide SO |
| IH5352C/D | 0°C to +70°C | Dice* |
| IH5352EPE | -40°C to +85°C | 18 Plastic DIP |
| IH5352EWE | -40°C to +85°C | 18 Wide SO |
| IH5352MJE | -55°C to +125°C | 16 CERDIP |

* Contact factory for dice specifications.

** Contact factory for availability and processing to MIL-STD-883.

Pin Configurations



MAXIM

Maxim Integrated Products 1

For free samples & the latest literature: <http://www.maxim-ic.com>, or phone 1-800-998-8800

Dual/Quad RF/Video Switches

ABSOLUTE MAXIMUM RATINGS

| | |
|---|-----------------|
| Supply Voltages V ⁺ and V ⁻ | ±17V |
| Current in Terminal | 50mA |
| Analog Input Voltage | V ⁺ |
| Operational Temperature Range | ±30V |
| (M Version) | -55°C to +125°C |
| (E Version) | -40°C to +85°C |
| (C Version) | 0°C to +70°C |

| | |
|--|----------------------------------|
| Continuous Power Dissipation (T _A = +70°C) | |
| 14-Pin Plastic DIP (derate 10.00mW/°C above +70°C) | 800mW |
| 16-Pin Plastic DIP (derate 10.53mW/°C above +70°C) | 842mW |
| 16-Pin Wide SO (derate 9.52mW/°C above +70°C) | 762mW |
| 10-Pin TO-100 (derate 6.67mW/°C above +70°C) | 533mW |
| Storage Temperature Range | -65°C to +150°C |
| Logic Control Voltage | V ⁺ to V ⁻ |
| Voltage on VL Pin | V ⁺ to V ⁻ |
| Lead Temperature (Soldering, 10sec) | +300°C |

Stresses beyond those listed under "Absolute Maximum Ratings" may cause permanent damage to the device. These are stress ratings only, and functional operation of the device at these or any other conditions beyond those indicated in the operational sections of the specifications is not implied. Exposure to absolute maximum rating conditions for extended periods may affect device reliability.

ELECTRICAL CHARACTERISTICS

(V⁺ = +15V, V_L = +5V, V⁻ = -15V, T_A = 25°C unless otherwise specified)

| PARAMETER | SYMBOL | CONDITIONS | TYP (Note 1) | M GRADE DEVICE | | | I/C GRADE DEVICE | | | UNITS |
|---|--|--|--|----------------|---|--------|------------------|---|---------------|-------|
| | | | | -55°C | +25°C | +125°C | -40/-20/ 0°C | +25°C | +85/ +70°C | |
| Supply Voltage Ranges Positive Supply Logic Supply Negative Supply | V ⁺ V _L V ⁻ | (Note 3) | 4.5 > 16 4.5 > V ⁺ -4 > -16 | | 5 to 15 5 to V ⁺ -5 to -15 | | | 5 to 15 5 to V ⁺ -5 to -15 | | V |
| Switch "ON" Resistance (Note 4) | r _{ds(ON)} | V _D = -5V to +5V I _S = 10 mA, V _{IN} = 2.4V V _D = -10V to +10V | | 75 | 75 | 100 | 75 | 75 | 100 | Ω |
| Switch "ON" Resistance | r _{ds(ON)} | V = V _L = 5V, V _{IN} = 3V V ⁻ = -5V, V _D = ±3V | | 250 | 250 | 350 | 300 | 300 | 350 | |
| On Resistance Match | | I _S = 10mA, V _D = ±5V | 5 | | | | | | | |
| Switch "OFF" Leakage (Notes 2 and 4) | I _{D(OFF)} or I _{S(OFF)} | V _{S/D} = +5V to -5V V _{IN} = 0.8V V _{S/D} = +14V to -14V | | | ±1 | 50 | | ±2 | 100 | nA |
| Switch "ON" Leakage | I _{D(ON)} + I _{S(ON)} | V _D = +5V or -5V V _{IN} = 2.4V V _D = +14V to -14V | | | ±1 | 100 | | ±2 | 100 | |
| Input Logic Current | I _{IN} | V _{IN} > 2.4V or < 0 | 0.001 | 1 | 1 | 10 | 1 | 1 | 10 | |
| Positive Supply Quiescent Current | I ⁺ | V _{IN} = 0V or +5V (Note 5) | 0.01 | 1 | 1 | 10 | 1 | 1 | 10 | μA |
| Negative Supply Quiescent Current | I ⁻ | V _{IN} = 0V or +5V (Note 5) | 0.01 | 1 | 1 | 10 | 1 | 1 | 10 | |
| Logic Supply Quiescent Current | I _L | V _{IN} = 0V or +5V (Note 5) | 0.01 | 1 | 1 | 10 | 1 | 1 | 10 | |

AC ELECTRICAL CHARACTERISTICS

V⁺ = +15V, V_L = +5V, V⁻ = 0V, T_A = +25°C

| PARAMETER | SYMBOL | CONDITIONS | MIN | TYP | MAX | UNITS |
|--|------------------|-----------------------|----------|----------|-----|-------|
| Switch "ON" Time | t _{ON} | See Figure 1 | | 160 | 300 | ns |
| Switch "OFF" Time | t _{OFF} | See Figure 1 | | 70 | 150 | |
| "OFF" Isolation Rejection Ratio | OIRR | See Figure 2 (Note 6) | 70 | 80 | | dB |
| Cross Coupling Rejection Ratio | CCRR | Figure 3 (Note 6) | 70 66 | 80 72 | | |
| Frequency where r _{DS(ON)} = 0.7 x DC | | (Note 6) | 100 | | | MHz |

Note 1: Typical values are not tested in production. They are given as a design aid only.

Note 2: Positive and negative voltages applied to opposite sides of switch, in both directions successively.

Note 3: These are the operating voltages at which the other parameters are tested, and are not directly tested.

Note 4: The logic inputs are either greater than or equal to 2.4V or less than or equal to 0.8V, as required, for this test.

Note 5: Maximum values shown are for the dual (IH5341). They are doubled for the quad (IH5352).

Note 6: All AC parameters are sample tested only. Test circuits should be built on copper clad ground plane board, with correctly terminated coax leads, etc.

Dual/Quad RF/Video Switches

Test Circuits

IH5341/IH5352

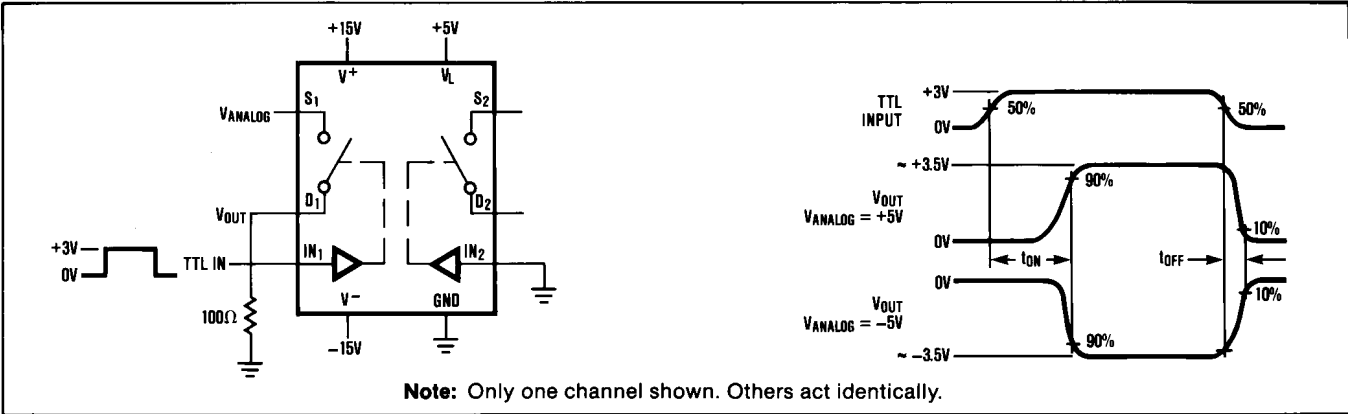


Figure 1. Switching Time Test Circuit and Waveforms

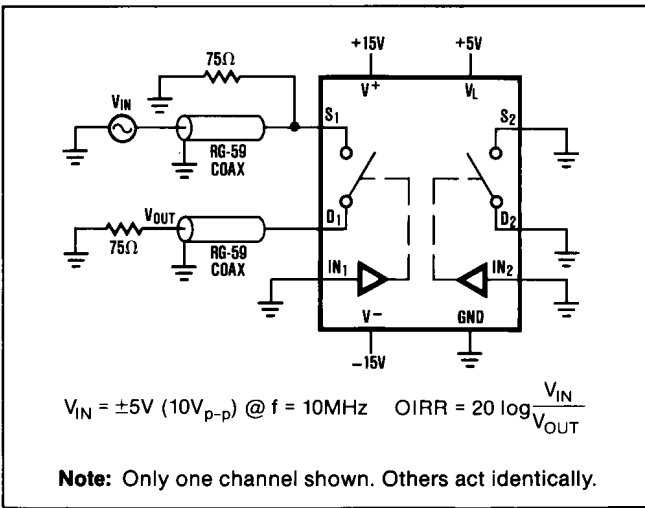


Figure 2. OFF Isolation Test Circuit

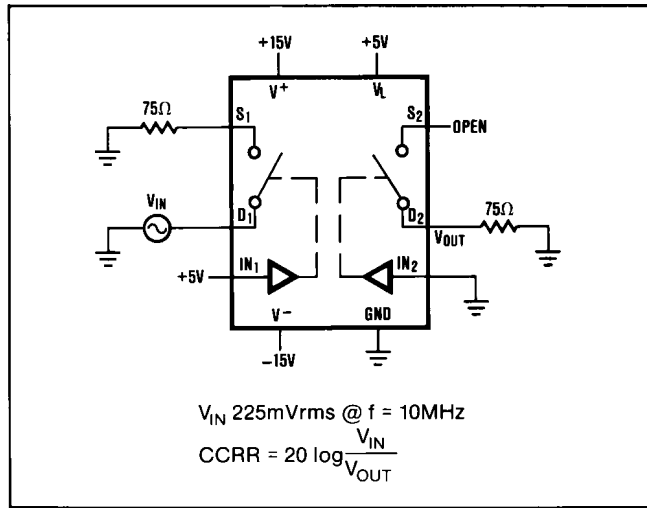
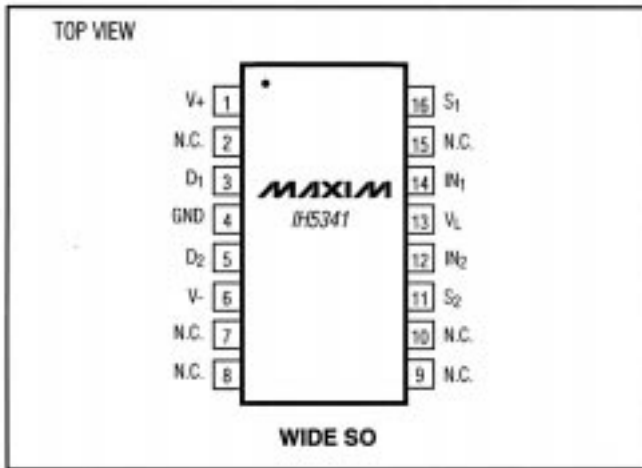


Figure 3. Cross-Coupling Rejection Test Circuit

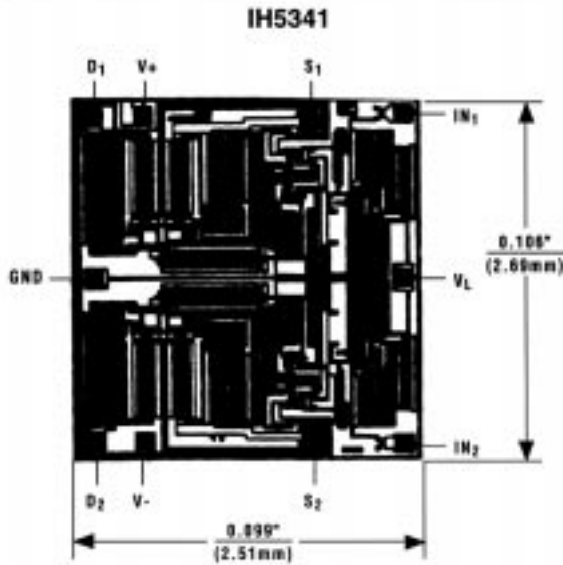
Dual/Quad RF/Video Switches

IH5341/IH5352

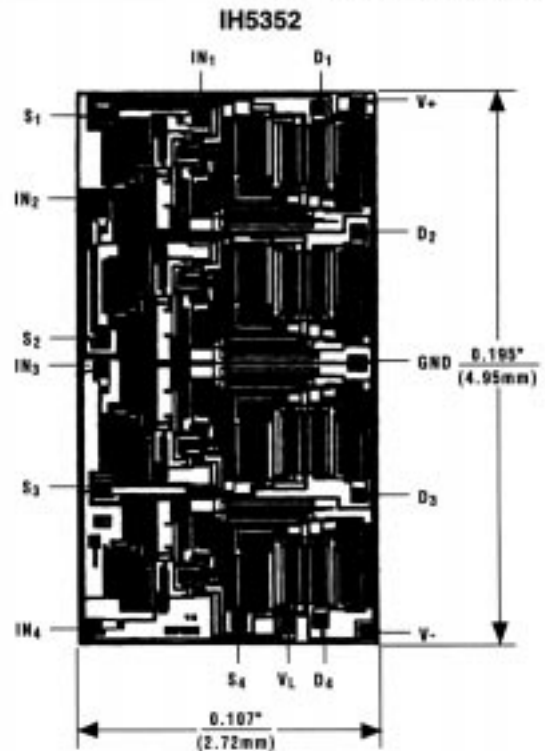
Pin Configurations (continued)



Chip Topographies



TRANSISTOR COUNT: 72
SUBSTRATED CONNECTED TO V+



TRANSISTOR COUNT: 144
SUBSTRATED CONNECTED TO V+

Maxim cannot assume responsibility for use of any circuitry other than circuitry entirely embodied in a Maxim product. No circuit patent licenses are implied. Maxim reserves the right to change the circuitry and specifications without notice at any time.

4 **Maxim Integrated Products, 120 San Gabriel Drive, Sunnyvale, CA 94086 (408) 737-7600**

© 1994 Maxim Integrated Products

Printed USA

MAXIM is a registered trademark of Maxim Integrated Products.

SITE
SEARCHPART NO.
SEARCH

WHAT'S NEW

PRODUCTS

SOLUTIONS

DESIGN

APPNOTES

SUPPORT

BUY

COMPANY

MEMBERS

[Maxim](#) > [Products](#) > [Analog Switches and Multiplexers](#)

IH5341, IH5352

Dual/Quad RF/Video Switches

[QuickView](#)[Technical Documents](#)[Ordering Info](#)[More Information](#)[All](#)

Ordering Information

Notes:

1. Other options and links for purchasing parts are listed at: <http://www.maxim-ic.com/sales>.
2. [Didn't Find What You Need?](#) Ask our applications engineers. Expert assistance in finding parts, usually within one business day.
3. Part number suffixes: T or T&R = tape and reel; + = RoHS/lead-free; # = RoHS/lead-exempt. More: See [Full Data Sheet](#) or [Part Naming Conventions](#).
4. * Some packages have variations, listed on the drawing. "PkgCode/Variation" tells which variation the product uses.

Devices: 1-34 of 34

| IH5341 | Free Sample | Buy | Package: TYPE PINS FOOTPRINT DRAWING CODE/VAR * | Temp | RoHS/Lead-Free? Materials Analysis |
|----------------|-------------|-----|---|---------------|--|
| IH5341IWE | | | | | RoHS/Lead-Free: See data sheet |
| IH5341CJD | | | Ceramic DIP;14 pin;162 mm Dwg: 21-0045A (PDF) Use pkgcode/variation: J14-3* | 0C to +70C | RoHS/Lead-Free: No Materials Analysis |
| IH5341EJD | | | Ceramic DIP;14 pin;162 mm Dwg: 21-0045A (PDF) Use pkgcode/variation: J14-3* | -40C to +85C | RoHS/Lead-Free: No Materials Analysis |
| IH5341IJD | | | Ceramic DIP;14 pin;162 mm Dwg: 21-0045A (PDF) Use pkgcode/variation: J14-3* | -20C to +85C | RoHS/Lead-Free: No Materials Analysis |
| IH5341MJD/883B | | | Ceramic DIP;14 pin;162 mm Dwg: 21-0045A (PDF) Use pkgcode/variation: J14-3* | -55C to +125C | RoHS/Lead-Free: No Materials Analysis |
| IH5341MJD | | | Ceramic DIP;14 pin;162 mm Dwg: 21-0045A (PDF) Use pkgcode/variation: J14-3* | -55C to +125C | RoHS/Lead-Free: No Materials Analysis |
| IH5341C/D | | | | | RoHS/Lead-Free: See data sheet |
| IH5341CTW | | | Metal Can-TO;10 pin;88 mm Dwg: 21-0023A (PDF) Use pkgcode/variation: T100-10* | 0C to +70C | RoHS/Lead-Free: No Materials Analysis |
| IH5341ITW | | | Metal Can-TO;10 pin;88 mm Dwg: 21-0023A (PDF) Use pkgcode/variation: T100-10* | -20C to +85C | RoHS/Lead-Free: No Materials Analysis |
| IH5341MTW | | | Metal Can-TO;10 pin;88 mm Dwg: 21-0023A (PDF) Use pkgcode/variation: T100-10* | -55C to +125C | RoHS/Lead-Free: No Materials Analysis |
| IH5341MTW/883B | | | Metal Can-TO;10 pin;88 mm Dwg: 21-0023A (PDF) Use pkgcode/variation: T100-10* | -55C to +125C | RoHS/Lead-Free: No Materials Analysis |
| IH5341CPD | | | PDIP;14 pin;160 mm Dwg: 21-0043D (PDF) Use pkgcode/variation: P14-4* | 0C to +70C | RoHS/Lead-Free: No Materials Analysis |
| IH5341CWE+T | | | SOIC;16 pin;112 mm Dwg: 21-0042B (PDF) Use pkgcode/variation: W16+1* | 0C to +70C | RoHS/Lead-Free: Lead Free Materials Analysis |

| | | | | | |
|----------------|--------------------|------------|---|---------------|--|
| IH5341CWE+ | | | SOIC;16 pin;112 mm Dwg: 21-0042B (PDF) Use pkgcode/variation: W16+1* | 0C to +70C | RoHS/Lead-Free: Lead Free Materials Analysis |
| IH5341EWE+ | | | SOIC;16 pin;112 mm Dwg: 21-0042B (PDF) Use pkgcode/variation: W16+1* | -40C to +85C | RoHS/Lead-Free: Lead Free Materials Analysis |
| IH5341EWE+T | | | SOIC;16 pin;112 mm Dwg: 21-0042B (PDF) Use pkgcode/variation: W16+1* | -40C to +85C | RoHS/Lead-Free: Lead Free Materials Analysis |
| IH5341CWE-T | | | SOIC;16 pin;112 mm Dwg: 21-0042B (PDF) Use pkgcode/variation: W16-1* | 0C to +70C | RoHS/Lead-Free: No Materials Analysis |
| IH5341CWE | | | SOIC;16 pin;112 mm Dwg: 21-0042B (PDF) Use pkgcode/variation: W16-1* | 0C to +70C | RoHS/Lead-Free: No Materials Analysis |
| IH5352 | Free Sample | Buy | Package: TYPE PINS FOOTPRINT DRAWING CODE/VAR * | Temp | RoHS/Lead-Free? Materials Analysis |
| IH5352IWE | | | | | RoHS/Lead-Free: See data sheet |
| IH5352EJE | | | Ceramic DIP;16 pin;173 mm Dwg: 21-0045A (PDF) Use pkgcode/variation: J16-4* | -40C to +85C | RoHS/Lead-Free: No Materials Analysis |
| IH5352IJE | | | Ceramic DIP;16 pin;173 mm Dwg: 21-0045A (PDF) Use pkgcode/variation: J16-4* | -20C to +85C | RoHS/Lead-Free: No Materials Analysis |
| IH5352MJE/883B | | | Ceramic DIP;16 pin;173 mm Dwg: 21-0045A (PDF) Use pkgcode/variation: J16-4* | -55C to +125C | RoHS/Lead-Free: No Materials Analysis |
| IH5352MJE | | | Ceramic DIP;16 pin;173 mm Dwg: 21-0045A (PDF) Use pkgcode/variation: J16-4* | -55C to +125C | RoHS/Lead-Free: No Materials Analysis |
| IH5352C/D | | | | | RoHS/Lead-Free: See data sheet |
| IH5352CPE+ | | | PDIP;16 pin;160 mm Dwg: 21-0043D (PDF) Use pkgcode/variation: P16+4* | 0C to +70C | RoHS/Lead-Free: Lead Free Materials Analysis |
| IH5352CPE | | | PDIP;16 pin;160 mm Dwg: 21-0043D (PDF) Use pkgcode/variation: P16-4* | 0C to +70C | RoHS/Lead-Free: No Materials Analysis |
| IH5352EWE+ | | | SOIC;16 pin;112 mm Dwg: 21-0042B (PDF) Use pkgcode/variation: W16+5* | -40C to +85C | RoHS/Lead-Free: Lead Free Materials Analysis |
| IH5352EWE+T | | | SOIC;16 pin;112 mm Dwg: 21-0042B (PDF) Use pkgcode/variation: W16+5* | -40C to +85C | RoHS/Lead-Free: Lead Free Materials Analysis |
| IH5352CWE | | | SOIC;16 pin;112 mm Dwg: 21-0042B (PDF) Use pkgcode/variation: W16-5* | 0C to +70C | RoHS/Lead-Free: No Materials Analysis |
| IH5352CWE-T | | | SOIC;16 pin;112 mm Dwg: 21-0042B (PDF) Use pkgcode/variation: W16-5* | 0C to +70C | RoHS/Lead-Free: No Materials Analysis |
| IH5352CWE+T | | | SOIC;16 pin;112 mm Dwg: 21-0042B (PDF) Use pkgcode/variation: W16+5* | 0C to +70C | RoHS/Lead-Free: Lead Free Materials Analysis |
| IH5352CWE+ | | | SOIC;16 pin;112 mm Dwg: 21-0042B (PDF) Use pkgcode/variation: W16+5* | 0C to +70C | RoHS/Lead-Free: Lead Free Materials Analysis |
| IH5352EWE-T | | | SOIC;16 pin;112 mm Dwg: 21-0042B (PDF) Use pkgcode/variation: W16-5* | -40C to +85C | RoHS/Lead-Free: No Materials Analysis |
| IH5352EWE | | | SOIC;16 pin;112 mm Dwg: 21-0042B (PDF) Use pkgcode/variation: W16-5* | -40C to +85C | RoHS/Lead-Free: No Materials Analysis |

Didn't Find What You Need?

- [Next Day Product Selection Assistance from Applications Engineers](#)
- [Parametric Search](#)
- [Applications Help](#)

QuickView

Description
Key Features
Applications/Uses
[Key Specifications](#)
Diagram

Technical Documents

[Data Sheet](#)
Application Notes
[Design Guides](#)
Engineering Journals
[Reliability Reports](#)
Software/Models
Evaluation Kits

Ordering Info

Price and Availability
Samples
Buy Online
Package Information
Lead-Free Information

More Information

Related Products
[Notes and Comments](#)
Evaluation Kits

Document Ref.: 19-0946; Rev 1a; 1994-12-01
This page last modified: 2001-07-19

[CONTACT US: SEND US AN EMAIL](#)