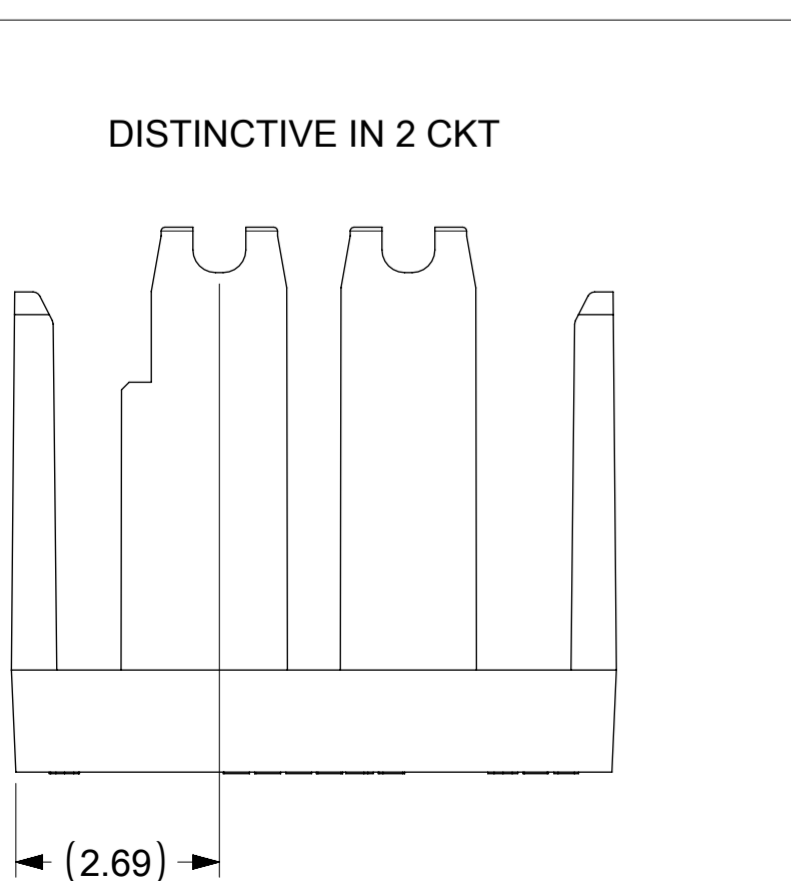
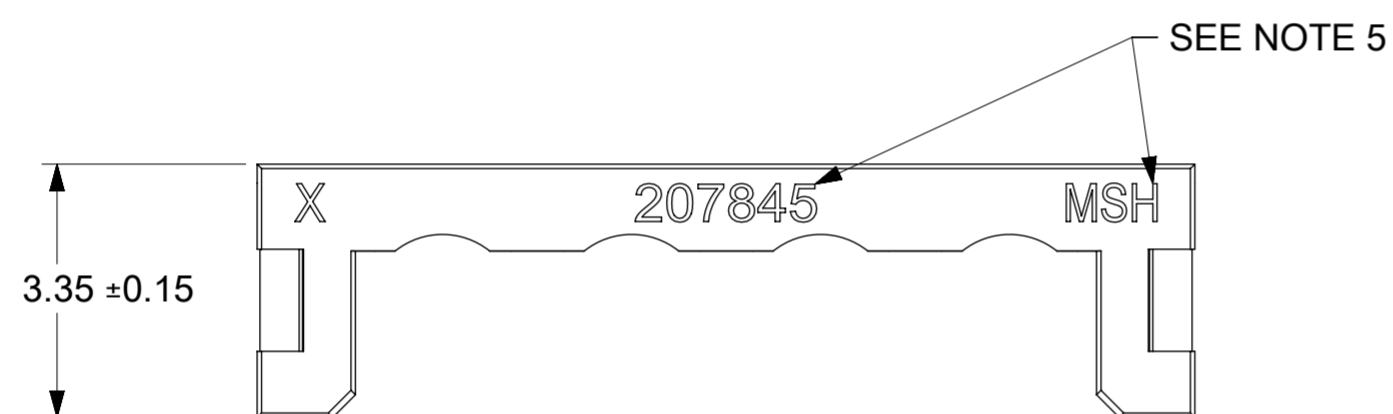


ISOMETRIC VIEW FOR 4 CKT



- NOTES:
 1. MATERIAL: PA66, RATED UL 94V-0, COLOR-NATURAL WHITE
 2. PRODUCT SPECIFICATION: 2079020001-PS
 3. PACKAGING SPECIFICATION: 2078450000-PK
 4. COSMETIC SPECIFICATION: PS-45499-002 CLASS B
 5. MOLEX LOGO AND SERIES ID

PART NO.	CKT	DIM. C
2078450002	2	7.99
2078450003	3	9.89
2078450004	4	12.39
2078450005	5	14.89
2078450006	6	17.39
2078450007	7	19.89
2078450008	8	22.39

THIS DRAWING CONTAINS INFORMATION THAT IS PROPRIETARY TO MOLEX ELECTRONIC TECHNOLOGIES, LLC AND SHOULD NOT BE USED WITHOUT WRITTEN PERMISSION									
SYMBOLS	DIMENSION UNITS	SCALE	CURRENT REV DESC:						
	mm	10:1							
▽ = 0	GENERAL TOLERANCES (UNLESS SPECIFIED)		EC NO: 706742						
▽ = 0	ANGULAR TOL ± 0.5°		DRWN: SHRUTJ 2022/04/20						
▽ = 0	4 PLACES ±		CHK'D: SHRUTJ 2022/05/13						
▽ = 0	3 PLACES ±		APPR: ISHWARG 2022/05/13						
▽ = 0	2 PLACES ± 0.25		INITIAL REVISION:						
▽ = 0	1 PLACE ± 0.3		DRWN: SUDAYGUNAGI 2018/06/19						
▽ = 0	0 PLACES ±		APPR: ISHWARG 2019/04/26						
▽ = 0	DRAFT WHERE APPLICABLE MUST REMAIN WITHIN DIMENSIONS		THIRD ANGLE PROJECTION	DRAWING	SERIES	DOCUMENT NUMBER	CUSTOMER	SHEET NUMBER	
▽ = 0			⊕	A2-SIZE	207845	2078450004-SD	PSD	000	A1
						PRODUCT CUSTOMER DRAWING		1 OF 1	

molex

TPA FOR KK PLUS 250

PRODUCT CUSTOMER DRAWING