



PART NAME

# NEMA DIE CAST ALUM. ENCLOSURE

PART No.

## AN-1311-A & AN-1311-AB

REVISION DATE

9-30-15

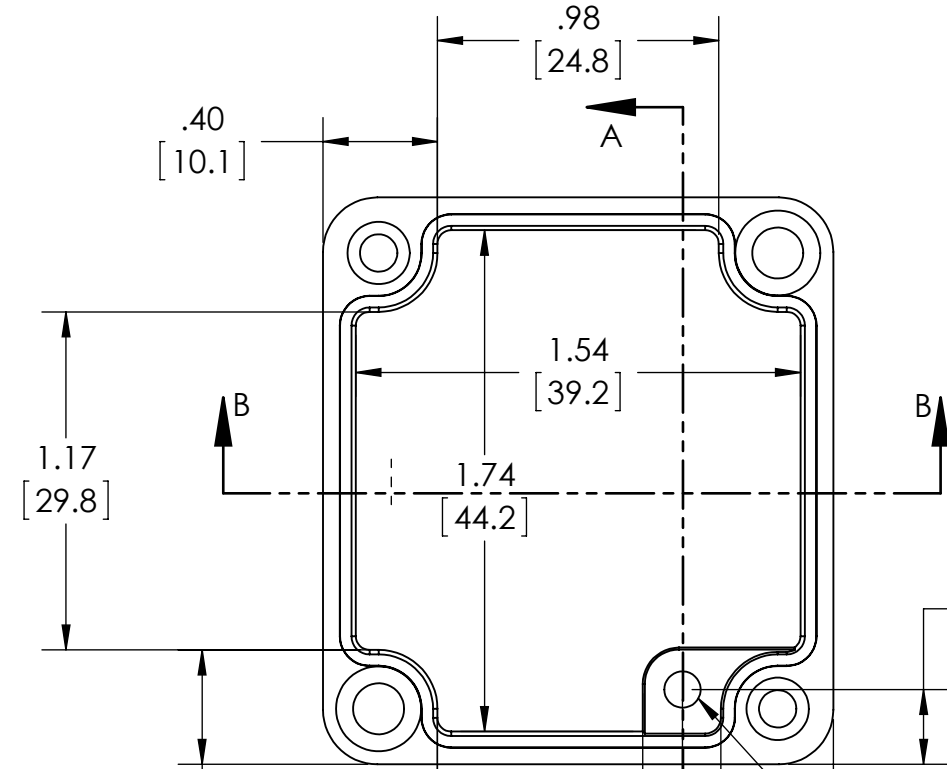
UL LISTED FOR U.S. AND CANADA - FILE #E194432

UPDATE REPLACES PART NO. AN-1311 (NATURAL) & AN-1311-G (DISCONTINUED GRAY)

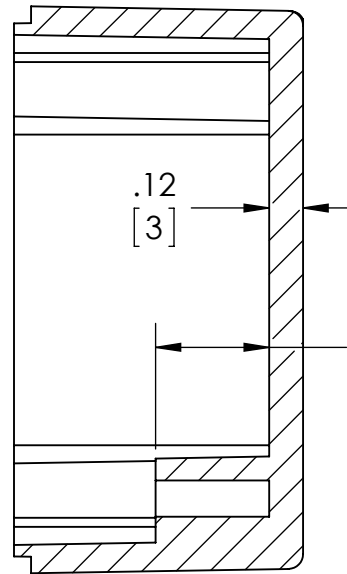
**DRAWING FOR REFERENCE**  
WE RESERVE THE RIGHT TO MAKE CHANGES TO OUR STANDARD PRODUCTS. PLEASE CONSULT WITH BUD INDUSTRIES PRIOR TO USING THIS DRAWING FOR DESIGN PURPOSE.

TYPE RATING 4, 4X, 6, 6P, 12 AND 13, COMPARE TO IP-68

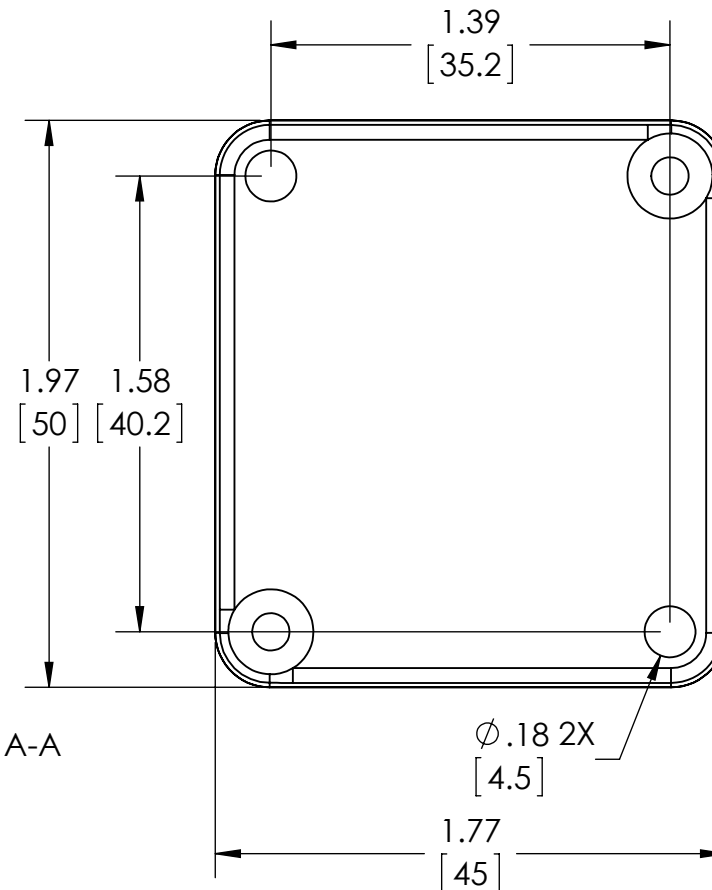
80°C. MAXIMUM OPERATING TEMPERATURE



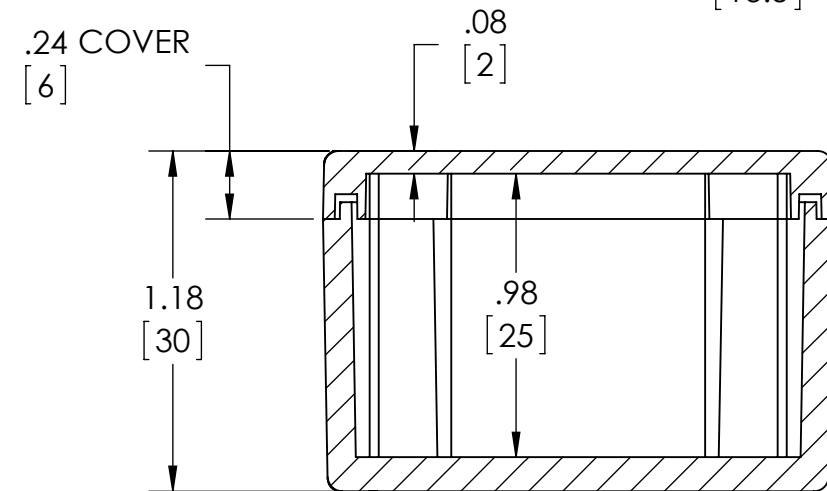
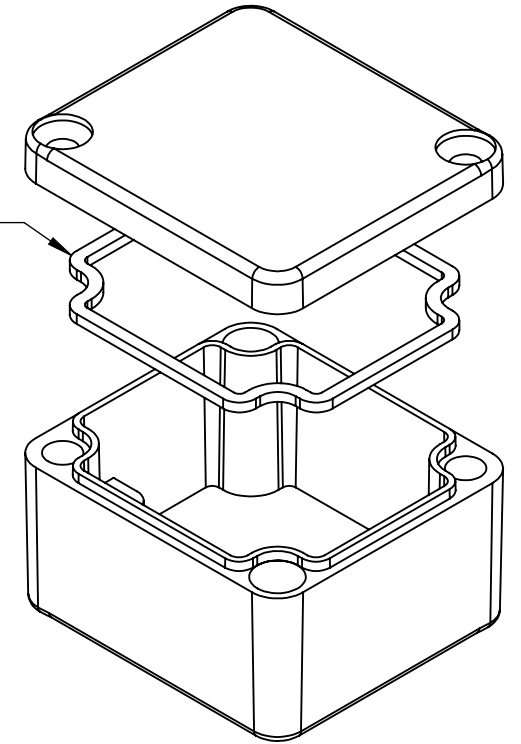
**BODY**  
COVER NOT SHOWN



SECTION A-A



GASKET  
(NOT  
INSTALLED)  
MOLDED  
SILICONE GRAY



SECTION B-B

Ø .126 x .394 DEEP (1X)  
[3.2] [10]  
ACCEPTS M3.5 x 6mm LG.  
OR #6 x 1/4" LG.  
SELF-TAPPING SCREW  
(NOT SUPPLIED - FOR PCB  
MOUNTING)

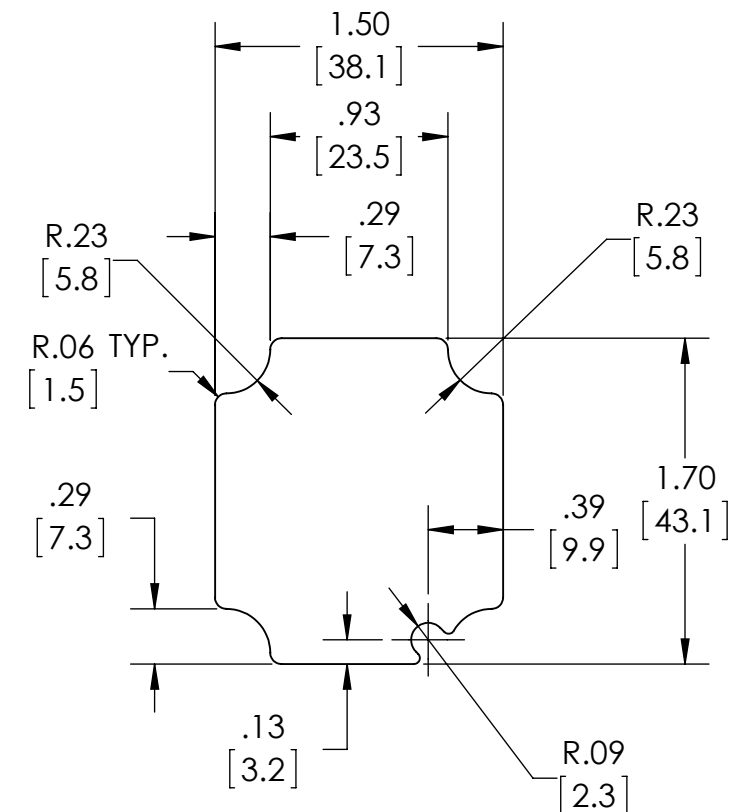
MATERIAL: BODY & COVER - ALUMINUM ALLOY #ADC-12

FINISH: NATURAL (SUFFIX -A)  
SMOOTH BLACK POWDERCOAT (SUFFIX -AB)

FOUR (4) M4x0.7 x 20mm (.79") LG. 90°CSK. HEAD  
STAINLESS STEEL SCREWS SUPPLIED FOR ASSEMBLY  
OF COVER TO BODY. APPLY AT 12 IN./LB. OF  
TORQUE.

OUTSIDE AND INSIDE DRAFT ANGLE: 1°  
DIMENSIONS ARE INCH[MM]

OPTIONAL ACCESSORIES:  
PCB MOUNTING KIT #57-58  
INTERNAL PANEL #ANX-91311  
WALL MOUNTING BRACKETS #ANX-1390  
REPLACEMENT GASKET #1311GSKTSC



**OPTIONAL INTERNAL PANEL AND  
SUGGESTED PC BOARD LAYOUT**