

Surge protection device - MT-VAR/ 2E- 24AC - 2945516

Please be informed that the data shown in this PDF Document is generated from our Online Catalog. Please find the complete data in the user's documentation. Our General Terms of Use for Downloads are valid (<http://download.phoenixcontact.com>)




The illustration shows version MT-VAR/2E- 12 AC

Rail-mountable module with surge voltage medium protection, equipped with 2 varistors, individually wired, mounting on NS 35/7.5. Nominal voltage: 24 V AC, housing width: 12.5 mm



Key commercial data

Packing unit	1 PCE
GTIN	 4 017918 081829
Weight per Piece (excluding packing)	35.46 GRM
Custom tariff number	85363010
Country of origin	Germany

Technical data

Dimensions

Height	77.5 mm
Width	12.4 mm
Depth	55 mm

Ambient conditions

Ambient temperature (operation)	-20 °C ... 60 °C
Degree of protection	IP20

General

Housing material	PA-F
Inflammability class according to UL 94	V0
Color	black
Standards for air and creepage distances	VDE 0110-1

Surge protection device - MT-VAR/ 2E- 24AC - 2945516

Technical data

General

Mounting type	DIN rail: 35 mm
Design	Rail-mountable module, one-piece
Number of positions	4
Direction of action	Line-Line

Protective circuit

IEC test classification	C1
	C3
VDE requirement class	C1
	C3
Nominal voltage U_N	24 V AC
Maximum continuous operating voltage U_c	38 V DC
	30 V AC
Maximum continuous voltage U_C (wire-wire)	38 V DC
	30 V AC
Operating effective current I_c at U_c	$\leq 400 \mu A$
Nominal discharge current I_n (8/20) μs (Core-Core)	320 A
Total surge current (8/20) μs	640 A
Max. discharge current I_{max} (8/20) μs maximum (Core-Core)	1 kA
Nominal pulse current I_{an} (10/1000) μs (Core-Core)	22 A
Output voltage limitation at 1 kV/ μs (Core-Core) static	$\leq 120 V$
Residual voltage at I_n , (conductor-conductor)	$\leq 185 V$
Residual voltage with I_{an} (10/1000) μs (conductor-conductor)	$\leq 125 V$
Response time t_A (Core-Core)	$\leq 25 ns$
Capacity (Core-Core)	typ. 3.5 nF
Surge carrying capacity in acc. with IEC 61643-21 (Core-Core)	C1 (500 V / 250 A)
	C3 (10 A)

Connection data

Connection method	Screw terminal blocks
Connection type IN	Screw terminal blocks
Connection type OUT	Screw terminal blocks
Screw thread	M3
Stripping length	8 mm
Conductor cross section stranded min.	0.2 mm ²
Conductor cross section stranded max.	2.5 mm ²
Conductor cross section solid min.	0.2 mm ²

Surge protection device - MT-VAR/ 2E- 24AC - 2945516

Classifications

eCl@ss

eCl@ss 4.0	27140201
eCl@ss 4.1	27130801
eCl@ss 5.0	27130801
eCl@ss 5.1	27130801
eCl@ss 6.0	27130807
eCl@ss 7.0	27130807
eCl@ss 8.0	27130807

ETIM

ETIM 2.0	EC000943
ETIM 3.0	EC000943
ETIM 4.0	EC000943
ETIM 5.0	EC000943

UNSPSC

UNSPSC 6.01	30212010
UNSPSC 7.0901	39121610
UNSPSC 11	39121610
UNSPSC 12.01	39121610
UNSPSC 13.2	39121620

Approvals

Approvals

Approvals

GOST / GOST

Ex Approvals

Approvals submitted

Approval details

Surge protection device - MT-VAR/ 2E- 24AC - 2945516

Approvals



Accessories

Additional products

Shield connection - SSA 3-6 - 2839295



shield fast connections for conductor diameter 3 - 6 mm. Potential connection cable: 200 mm, black

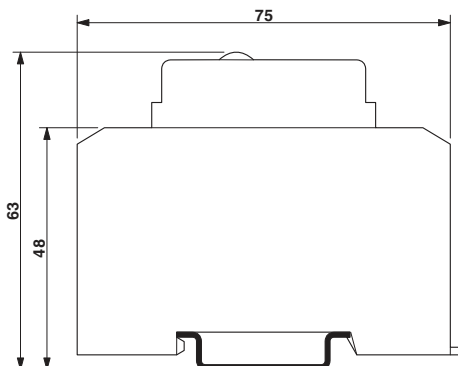
Shield connection - SSA 5-10 - 2839512



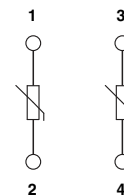
Shield fast connection for conductor diameters 5 - 10 mm. Potential connection cable: 200 mm, black

Drawings

Dimensioned drawing



Circuit diagram



Surge protection device - MT-VAR/ 2E- 24AC - 2945516

Circuit diagram

