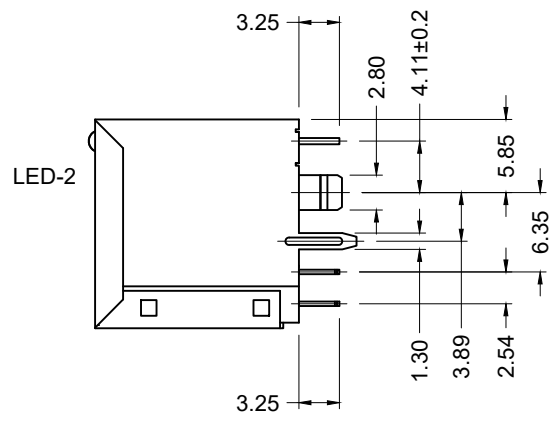
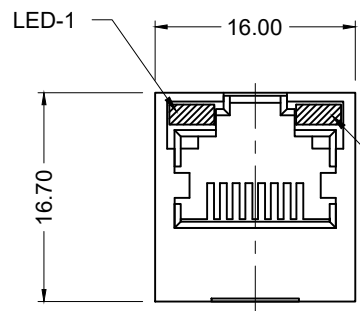
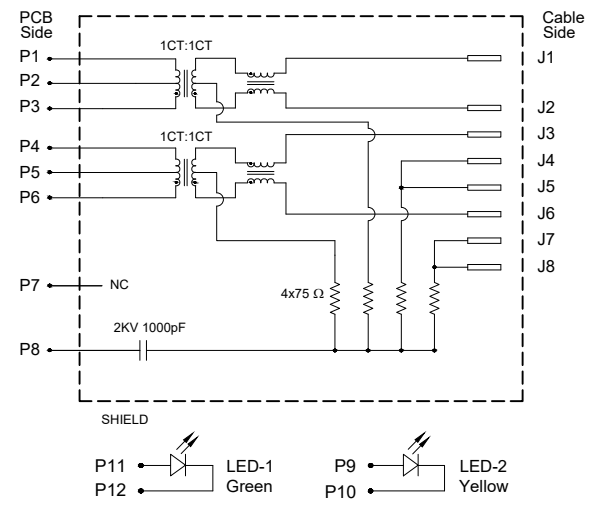


Recommended PCB Layout (Top View)



Magnetics Schematic



Materials and Finish

Housing: PBT Thermoplastic
 UL 94V-0 Rated
 Color: Black

Shield: Copper Alloy, Nickel Plated

Contact Material:
 Phosphor Bronze

Plating Options:

Standard: Nickel Underplating,
 Gold Flash Plating on Contact Area
 and Signal Pin Solder Tails,
 Tin Plated on LED Solder Tails

50 Option: Nickel Underplating,
 Contact Area Plated with 50u" Gold
 to Comply with ANSI/TIA-1096-A, Gold
 Flash Plating on Signal Pin Solder Tails,
 Tin Plated on LED Solder Tails

Electrical Characteristics

Insulation Resistance:
 500 Megohms Min.

Contact Resistance:
 20 milliohms Max.

Dielectric Withstanding Voltage:
 500V AC for 1 Minute

Mechanical Characteristics

Durability Rating:
 500 Mating Cycles Min.

Operating Temperature:
 -40°C to +85°C

Electrical Properties:

Insertion Loss (dB Typ)	Return Loss at 100Ω (dB Min)		Cross Talk (dB Min)	CMR (dB Min)
	1~30MHz	60~80MHz		
1~100MHz	-18	-12	1~100MHz	30~100MHz
-1.1	-18	-12	-30	-35

Part Number	Contact Area Plating Finish
G3LX-188S1-FF-GY1	Gold Flash (Standard)
G3LX-188S1-FF-GY1-50	50u" Gold (50 Option)

Tolerances
X.X ± 0.35
X.XX ± 0.25
Unless Stated Otherwise



REV.	DATE	DESCRIPTION	REV. BY	CHK. BY	DRAWN BY	DATE
A0	07/28/14	New Drawing	W. Cook	P. DalCanto	W. Cook	05/13/14
A1	07/30/14	Release Drawing	C. Kelleher	N/A		
A2	02/12/15	ECO #15-016	D. Gih	H. MA		
A3	04/17/15	Update Operating Temp.	W. Cook	C. Furumasu		
A4	08/03/16	Update Address	D. Shehan			

G3LX-188S1-FF-GY1

8P8C ModJack, Vertical, Shielded
 w/LED, Magnetics, RoHS Compliant

