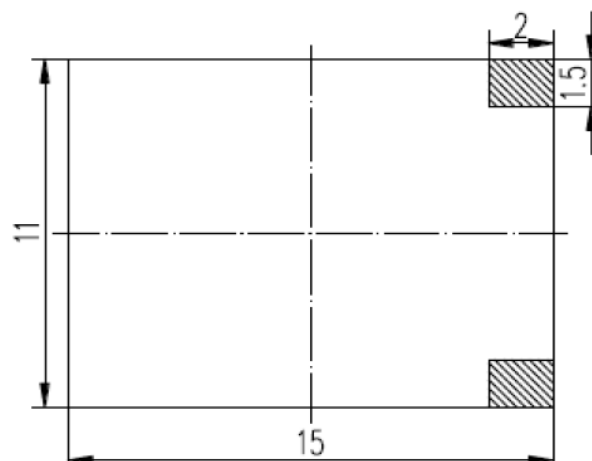
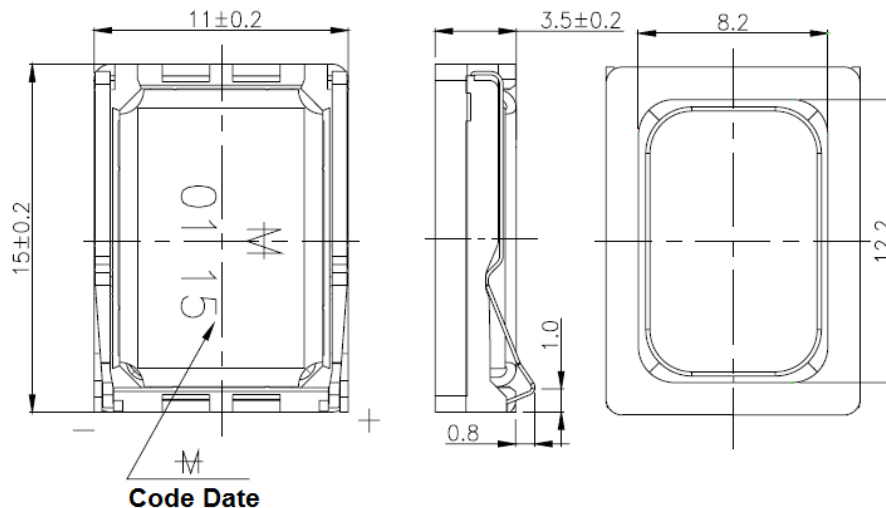


Specifications: NOT FOR NEW DESIGNS

Impedance (Ω)	$8 \pm 15\%$ at 2000 Hz at 1.0 V
Rated Power (W)	0.7
Max Power (W)	1.0
Resonance Freq Fo (Hz)	$500 \pm 20\%$ at 1.0V $860 \pm 15\%$ at 1.0V in 1cc closed box
Frequency Range (Hz)	Fo ~ 7000
Output S.P.L. (dB)	89 ± 3 at 0.7w/0.1m 3.0kHz in 1cc closed box 71 ± 3 at 1w/1m 3.0kHz in 1cc closed box
Magnet	Nd-Fe-B
Frame Material	PPA
Operating / Storage Temp	-40 to 60°C/ -40 to 85°C
Weight (g)	1.6
Options	For other options contact factory

Dimensions: ± 0.2 (units: mm)**ROHS Compliant****Recommended PCB Layout**

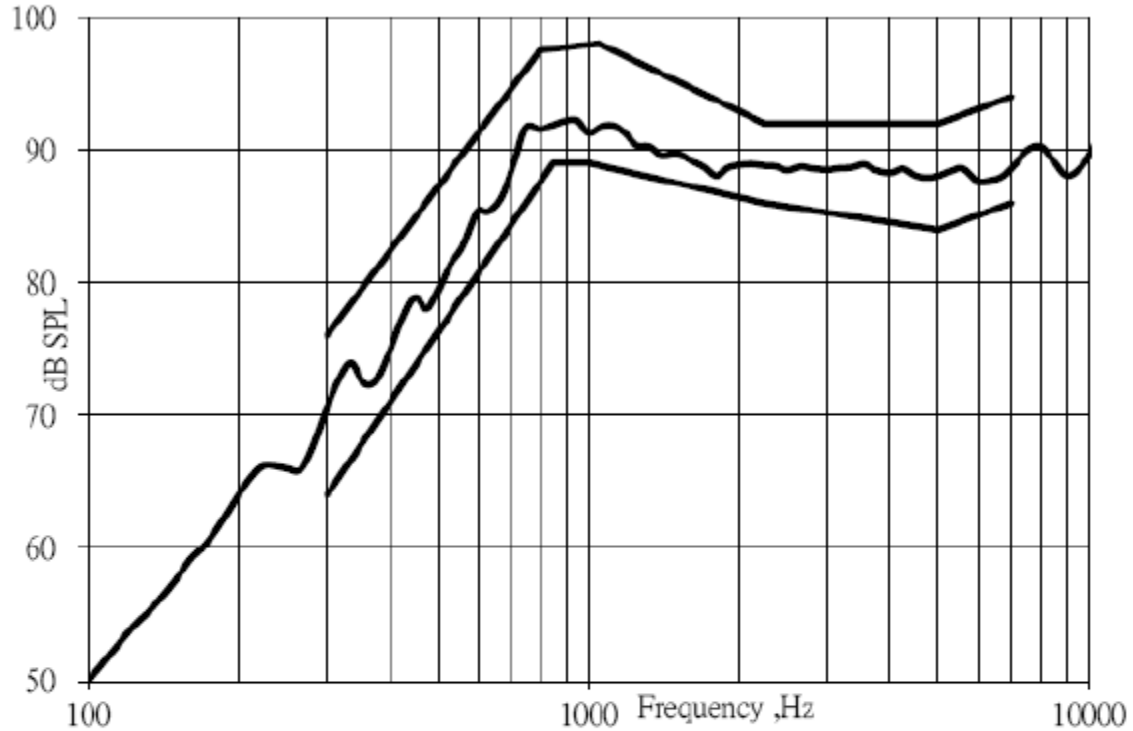
TYPICAL FREQUENCY RESPONSE CURVE

Table 1: Tolerance Limits Date for FR

Frequency(Hz)	Upper Limits(dB)	Lower Limits(dB)
300	76	64
800	97.5	89
1050	98	90
2250	92	86
5000	92	86
7000	94	87

DISTORTION CURVE

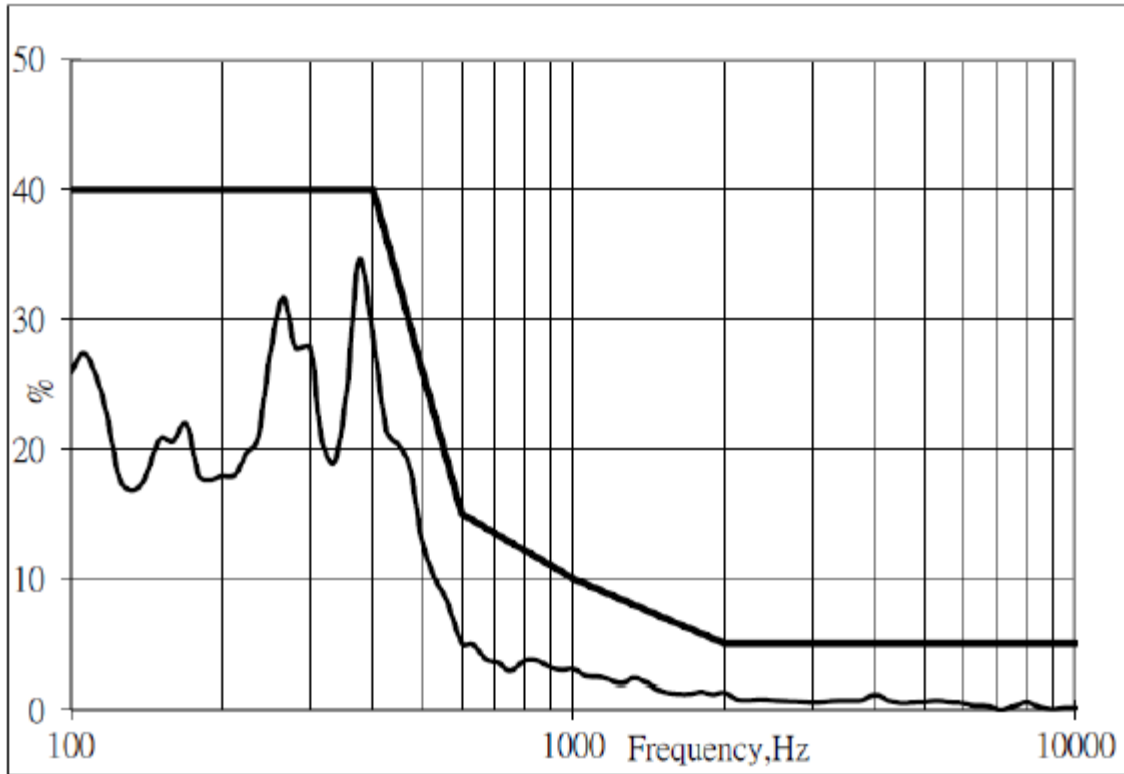


Table 2: Limits Date for THD

Frequency (Hz)	Limits (%)
100	40
400	40
600	15
1000	10
2000	5
10000	5