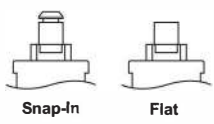


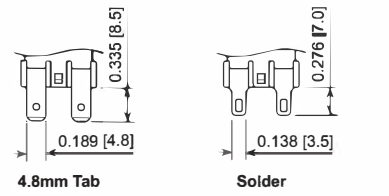
### Actuator Options



### FEATURES:

- Durable, Robust and Economical
- Easily Customized Actuator
- High Power Ratings
- Engineered For Use as a Foot Switch
- Popular Industry Design

### Terminal Options



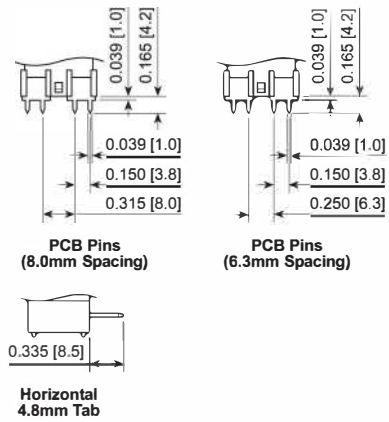
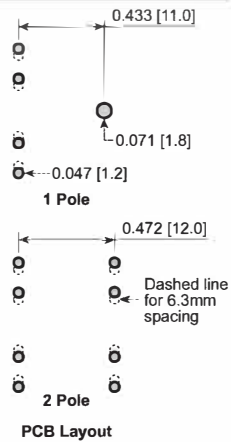
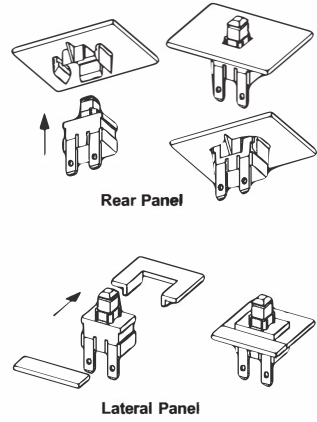
### SPECIFICATIONS:

**RATING:** RATING OPTION C:  
16A 125/250VAC [UL, cUL]

RATING OPTION J:  
16A 125/250VAC [UL, cUL]

TEMPERATURE: -20°C to 125°C  
ELECTRICAL LIFE: 10,000 Cycles  
CONTACT RESISTANCE: 20mΩ Max. at 1A 5VDC  
INSULATION RESISTANCE: 100MΩ Min. at 500VDC  
DIELECTRIC STRENGTH: 1,000VAC for 1 Minute

### Mounting Options



PA512C



PA524C

Series	Terminal	Function	Rating
PA5 - Snap-in Actuator	1 - 4.8mm Tab	1 Pole:	C - 16A 125/250AC [UL, CSA]
PA5F - Flat Actuator	2 - Solder	1 - Off-On	16(4)A 250V- 1E4 [ENEC]
	3 - PCB Pins (8.0mm Spacing)	4 - Off-(On)	J - 16A 125/250AC [UL, CSA]
	4 - PCB Pins (6.3mm Spacing)	2 Pole:	16(8)A 250V- 1E4 [ENEC]
	5 - Horizontal 4.8mm Tab	2 - Off-On	
		E - Off(On)	

### EXAMPLE PART NUMBERS:

- PA511C      1P Off-On  
4.8mm Tab Terminals, Snap-In Actuator
- PA512C      2P Off-On  
4.8mm Tab Terminals, Snap-In Actuator
- PA514C      1P Off-(On)  
4.8mm Tab Terminals, Snap-In Actuator
- PA51EC      2P Off-(On)  
4.8mm Tab Terminals, Snap-In Actuator