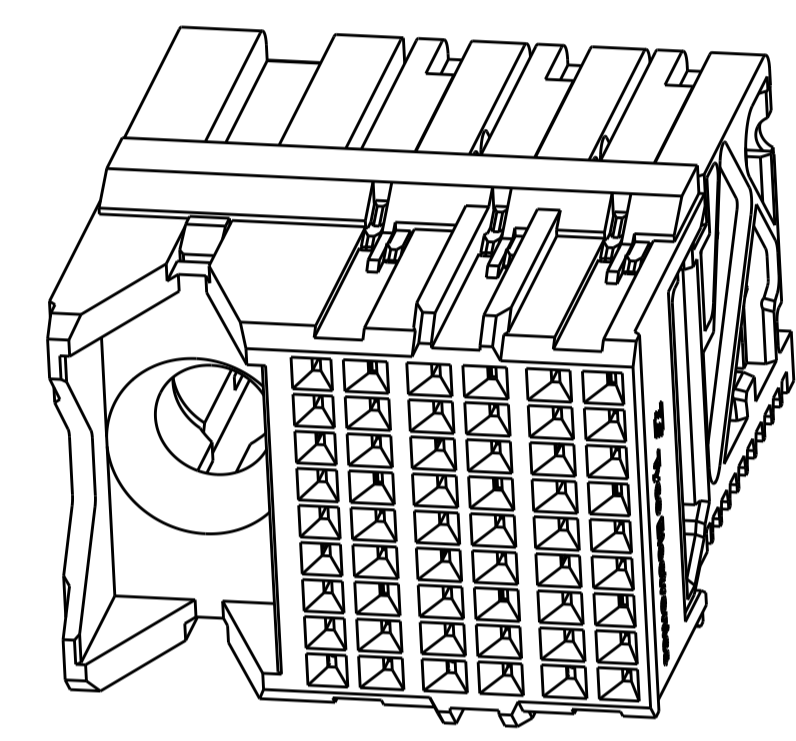
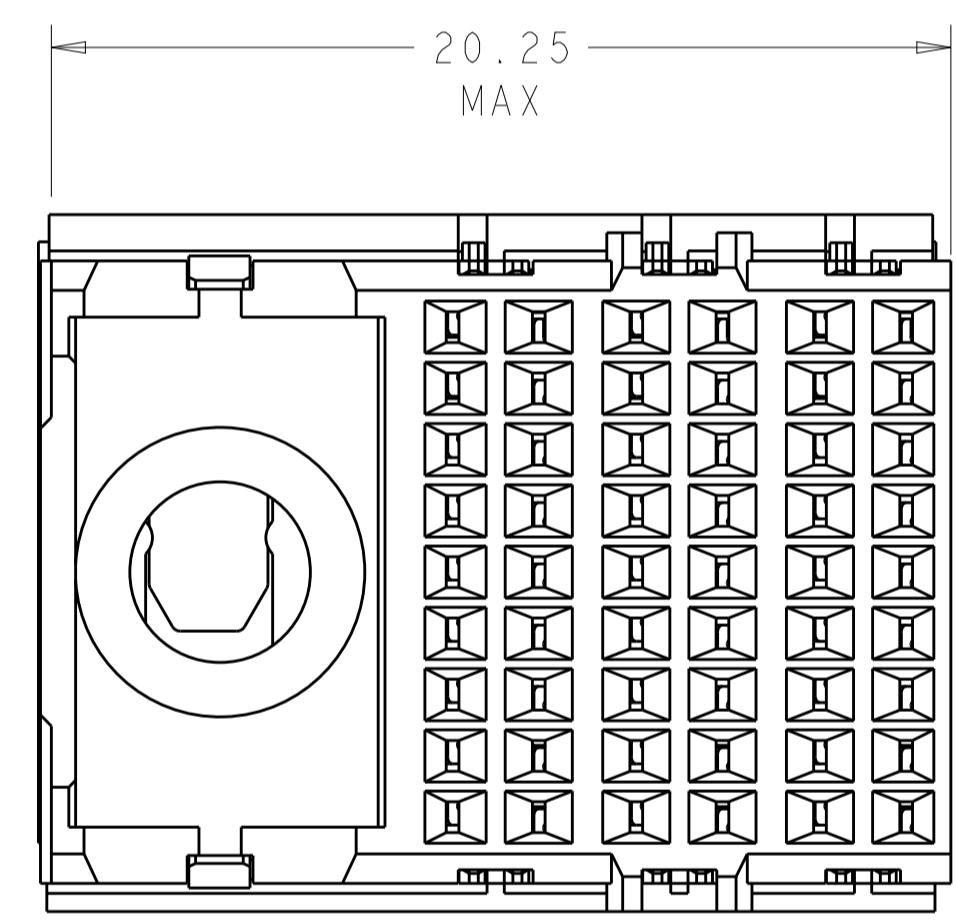
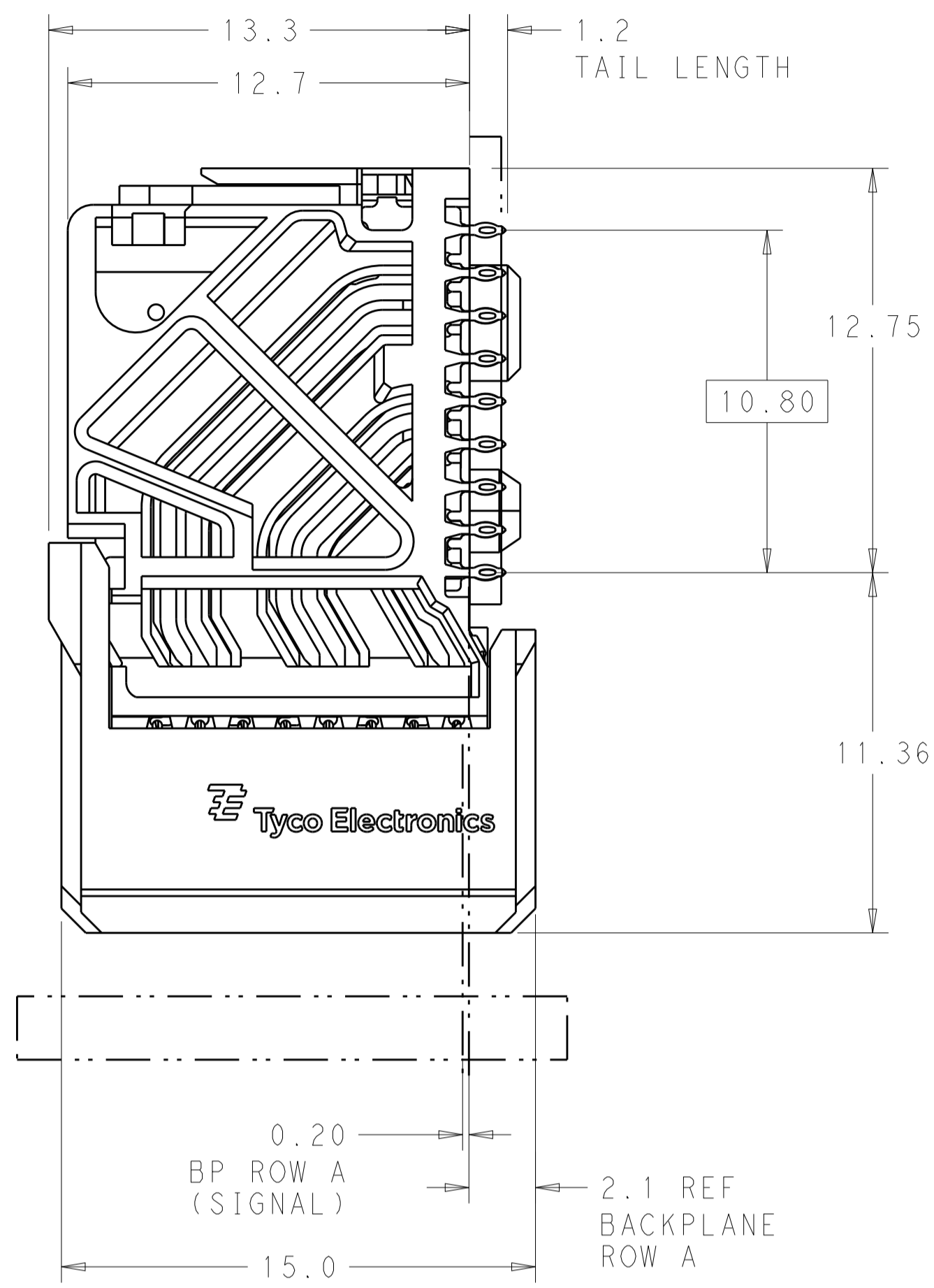
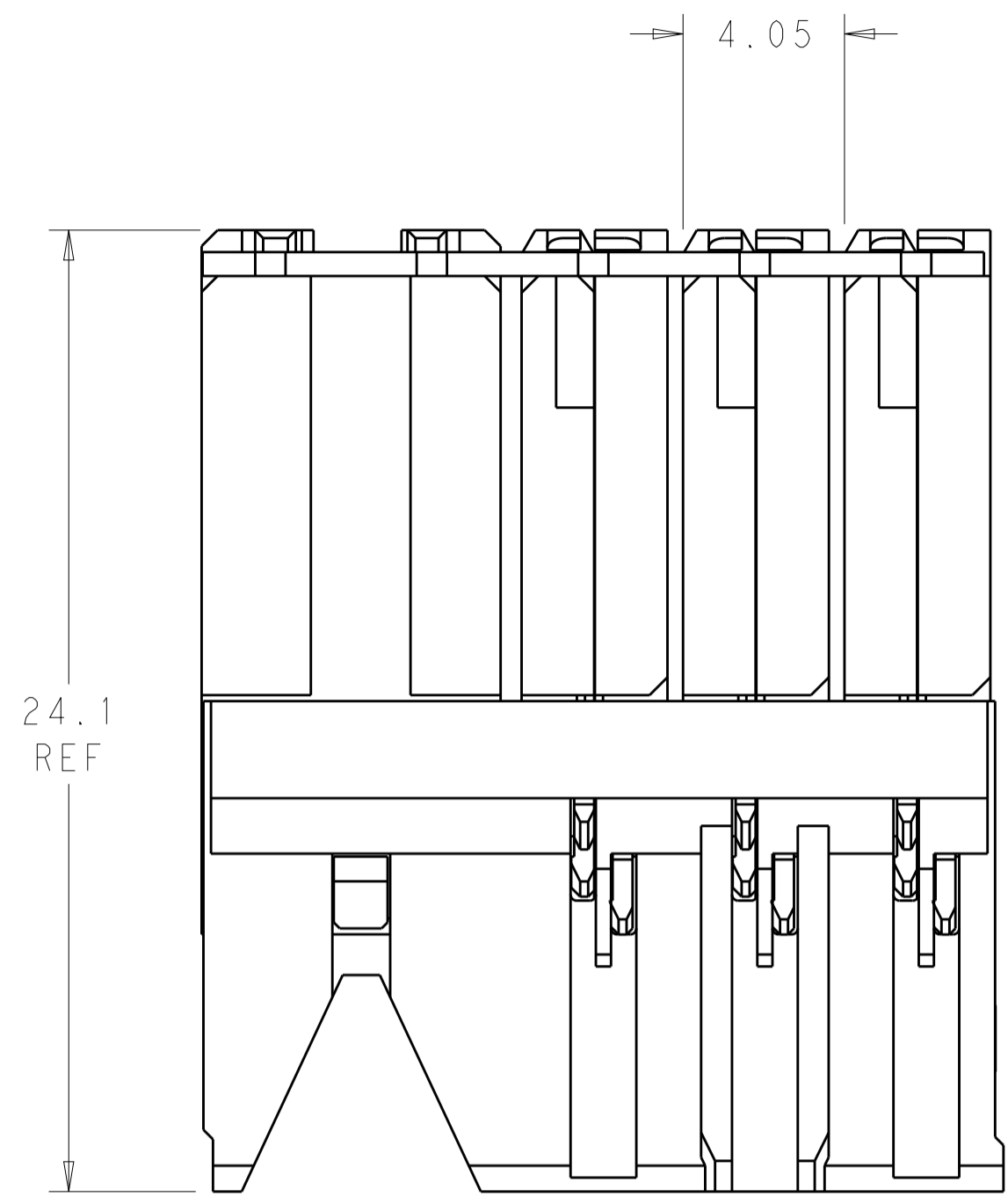
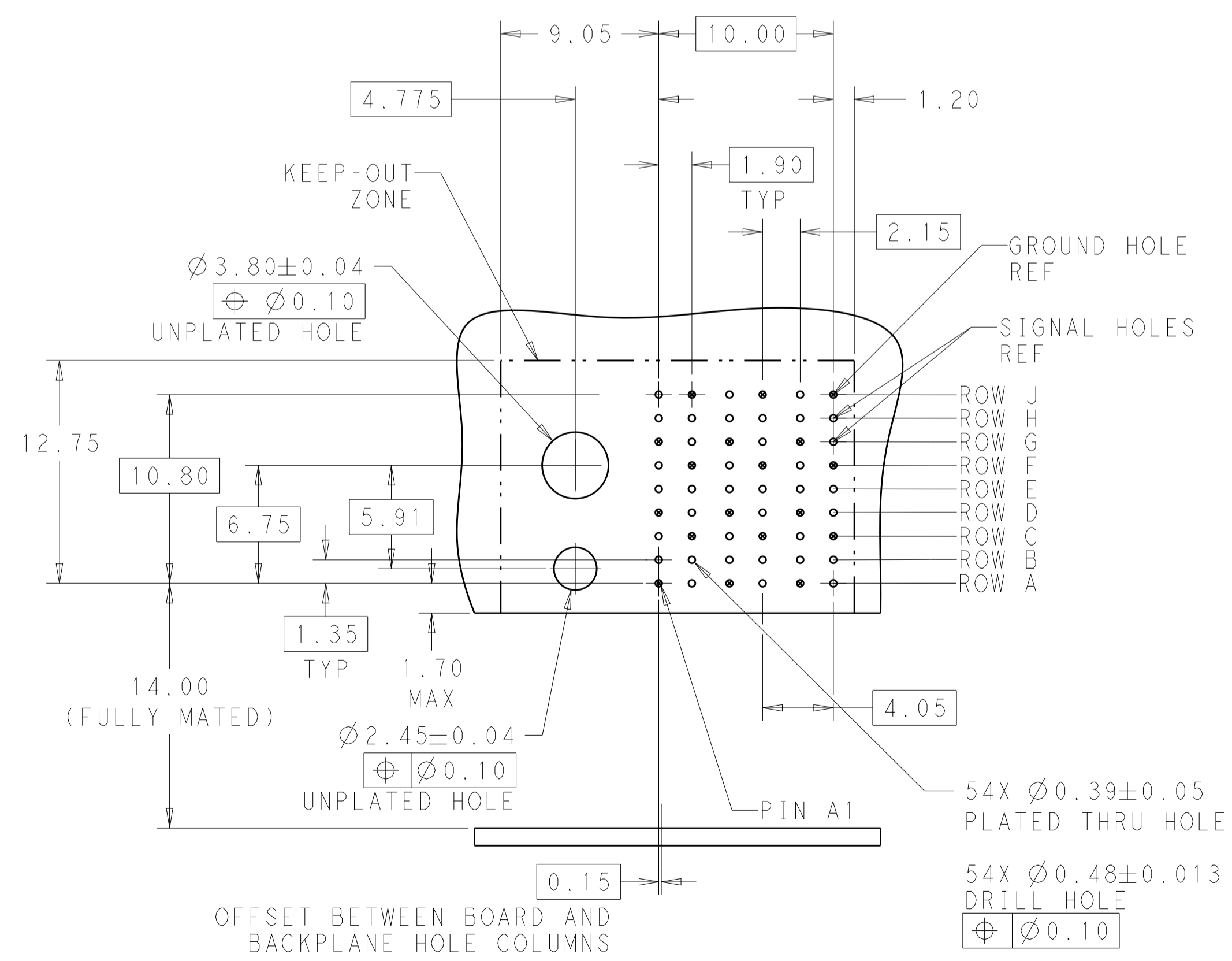


LOC		DIST		REVISIONS			
AD	00	P	LTN	DESCRIPTION	DATE	DWN	APVD
		A		REVISED PER ECO-15-003242	23MAR2015	AP	DD



SCALE 4:1

REFER TO WWW.TE.COM FOR PRODUCT AVAILABILITY



RECOMMENDED PCB LAYOUT
MIN BOARD THICKNESS 1.6

- ⚠ MATERIAL:
HOUSING: LCP, GLASS FILLED, UL94V-0.
TERMINALS: HIGH PERFORMANCE COPPER ALLOY.
- ⚠ FINISH:
30µ" SELECTIVE GOLD IN CONTACT AREA. SELECTIVE TIN ON PCB TAILS, NICKEL OVERALL.
- ⚠ FINISH:
30µ" SELECTIVE GOLD IN CONTACT AREA. SELECTIVE TIN-LEAD ON PCB TAILS, NICKEL OVERALL.
- 4. CONNECTORS SUPPLIED WITH MOUNTING SCREWS.

NONE	⚠	2132422-5
NONE	⚠	2132422-1
KEY POSITION	FINISH	PART NUMBER

THIS DRAWING IS A CONTROLLED DOCUMENT.		DWN	21JUN2011	TE TE Connectivity
DIMENSIONS:		CHK	D. DIXON 21JUN2011	
mm	0 PLC ±	APVD	D. DIXON 21JUN2011	NAME IMPACT, ORTHOGONAL, 3 PAIR, DAUGHTERCARD, 6 COLUMN, LEFT GUIDED, SIGNAL MODULE, 0.39 EYELET
	1 PLC ±0.25	PRODUCT SPEC		
	2 PLC ±0.15	APPLICATION SPEC		SIZE
	3 PLC ±	MATERIAL		SCALE
	4 PLC ±	FINISH		SHEET
	ANGLES ±	WEIGHT		OF
	SEE TABLE	Customer Drawing		1
		A100779C=2132422		REV
		SCALE 6:1		A