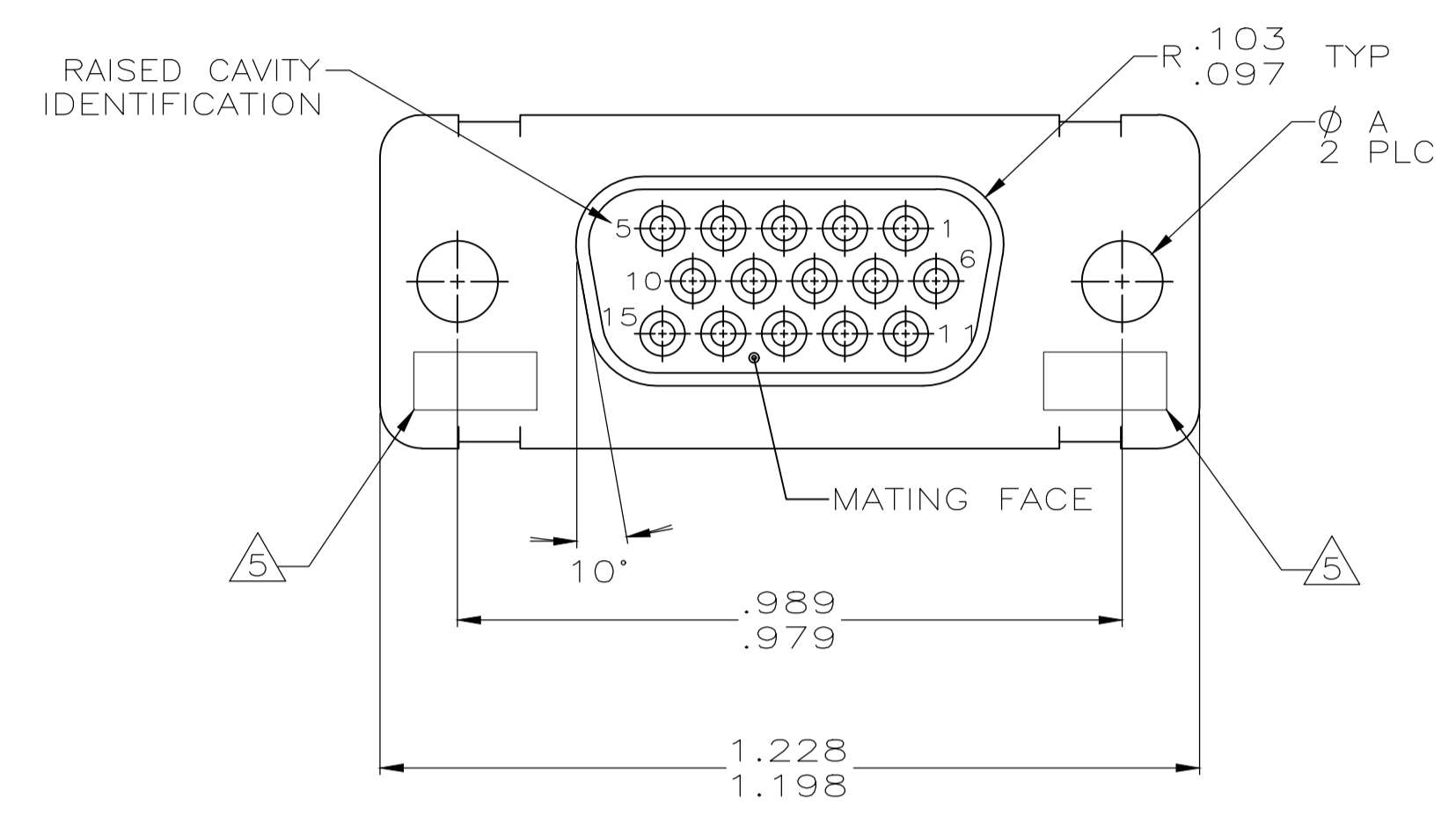
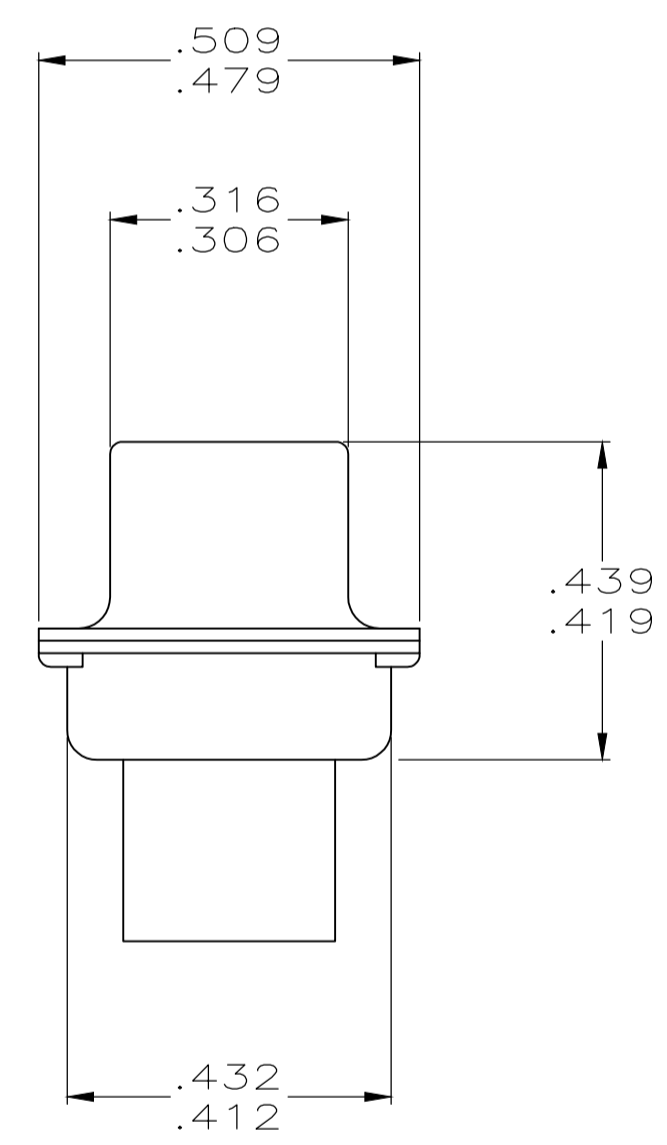
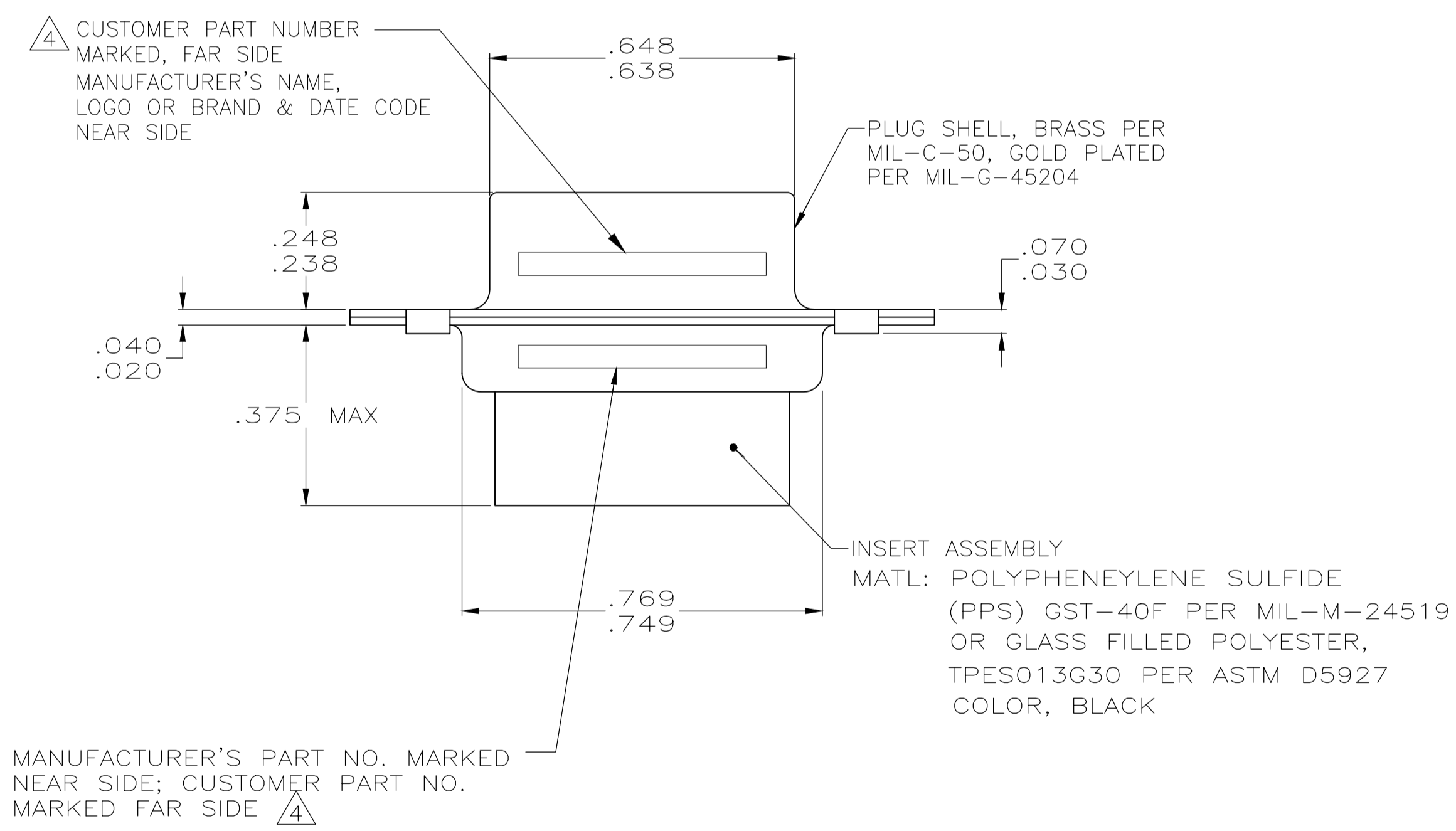


REVISIONS					
P	LTR	DESCRIPTION	DATE	DMN	APVD
AB	REV PER ECO	20-005104	5-28-20	CT	DM



1. THIS RECEPTACLE WILL MATE WITH ANY PLUG CONNECTOR WITH THE SAME INSERT ARRANGEMENT AS DEFINED BY MS18273-2.
  2. MAXIMUM WIRE INSULATION TO BE USED WITH THIS RECEPTACLE IS .054 DIA.
  3. BE. CU. RETENTION CLIPS ARE INCLUDED IN INSERTS.
- ⚠ CUSTOMER PART NUMBER MAY BE SPLIT BETWEEN FRONT AND REAR SHELL, SAME SIDE.
  - ⚠ UL/CSA DESIGNATION STAMPED IN THIS AREA, OPTIONAL.
  - ⚠ INSPECTION REQUIREMENTS PER R4383.
  - ⚠ CONNECTOR SUPPLIED WITH 17 CONTACTS, AMP PART NUMBER 206071-1. INSPECTION REQUIREMENTS PER R4383.
  - ⚠ CONNECTOR SUPPLIED WITH 25 CONTACTS, AMP PART NUMBER 206071-1. INSPECTION REQUIREMENTS PER R4383.
  - ⚠ THESE CONNECTORS ARE QUALIFIED TO GODDARD SPACE FLIGHT CENTER SPECIFICATIONS S-311-P-4.
  - ⚠ RESTRICTED TO CAE ELECTRONICS ONLY.



AMP P/N 206071-1  
 GSFC P/N G-08-S1  
 (SUPPLIED WITH 206499-6 AND 206499-7 ONLY)

.120		570566-1	1-206499-0	1-206499-0
.154	⚠10 ⚠9	311P407-1S-B-15	206499-1	206499-9
.120	⚠10 ⚠9	311P407-1S-B-12	206499-4	206499-8
.120	⚠8	20025720P1015S	206499-7	206499-7
.120	⚠7 ⚠8	R4383 P15S	206499-6	206499-6
.120	⚠6	R4383 P15S-2	206499-5	206499-5
.120	⚠9	311P407-1S-B-12	206499-4	206499-4
.154		----	206499-3	206499-3
.120		R9259P15S	206499-2	206499-2
.154	⚠9	311P407-1S-B-15	206499-1	206499-1
Ø A	REMARKS	CUSTOMER P/N	MARKED AMP P/N	PART NO

THIS DRAWING IS A CONTROLLED DOCUMENT. DIMENSIONING AND TOLERANCING PER ASME Y14.5M (ISO STANDARDS). TOLERANCES UNLESS OTHERWISE SPECIFIED:

DIMENSIONS:	TOLERANCES UNLESS OTHERWISE SPECIFIED:
INCHES	
0 PLC	± .005
1 PLC	± .005
2 PLC	± .005
3 PLC	± .005
4 PLC	± .005
ANGLES	± .005

MATERIAL: SEE CALLOUTS. FINISH: SEE CALLOUTS. WEIGHT: 0.000000. SIZE: A1. CAGE CODE: 00779. DRAWING NO: 206499. CUSTOMER DRAWING. SCALE: 4:1. SHEET: 1 OF 1. REV: AB.

STE TE Connectivity  
 RECEPTACLE FOR SOCKET CONTACTS  
 HIGH DENSITY D, 15 POSN, SIZE 1  
 NONMAGNETIC