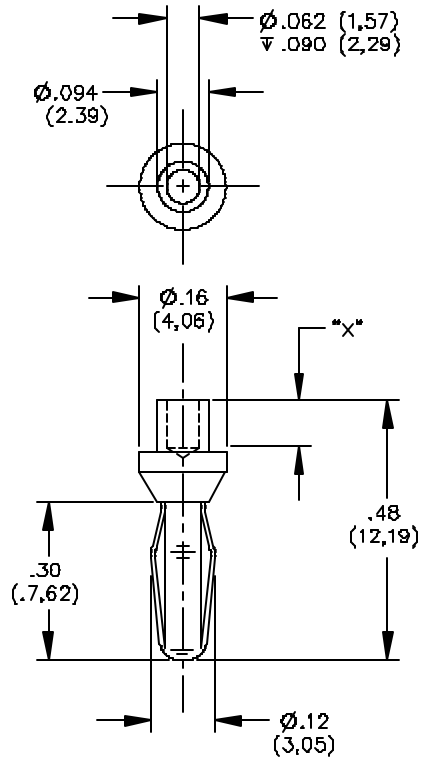


Model 3268, 3271 & 3272 Miniature Rivet Type Banana Plugs With Swaging Information



FEATURES:

- Excellent for riveting to panels or boards.
- Banana features gold plated Beryllium Copper for long insertion life and corrosion resistance.

Model Number:	Rec. Panel Thickness:	"X" Dimension:
3268	.062" (1,57mm)	.094" (2,39mm)
3271	.093" (2,36mm)	.125" (3,18mm)
3272	.125" (3,18mm)	.156" (3,96mm)

MATERIALS:

Body: Brass, Gold Plated

Spring: Beryllium Copper, Gold Plated

RATINGS:

Operating Voltage: 2500 VDC

Current: 5 Amperes Max.

ORDERING INFORMATION: Models 3268, 3271, 3272

Sold in packages of 10

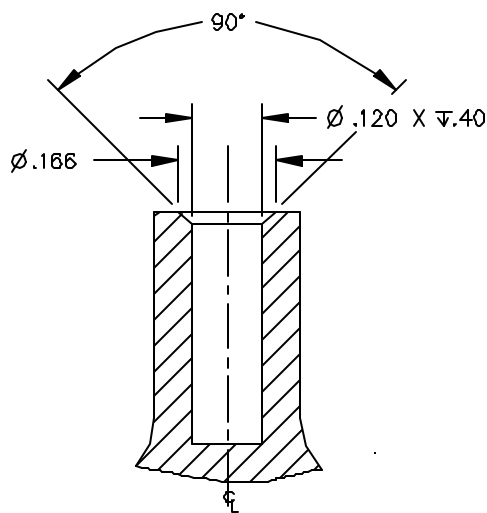
Note: Swage tool is not supplied by Pomona. The recommended swage tool dimensional drawing 3520 is attached for reference.

All dimensions are in inches. Tolerances (except noted): .xx = ±.02" (.51 mm), .xxx = ± .005" (.127 mm).

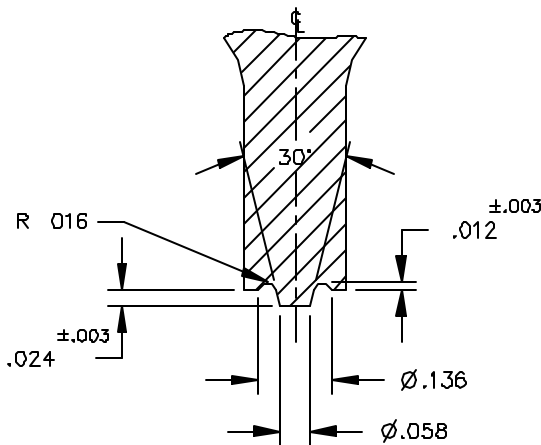
All specifications are to the latest revisions. Specifications are subject to change without notice.

Registered trademarks are the property of their respective companies. Made in USA

Model 3268, 3271 & 3272 Miniature Rivet Type Banana Plugs With Swaging Information



SECTION B
SCALE 4:1



SECTION A
SCALE 4:1

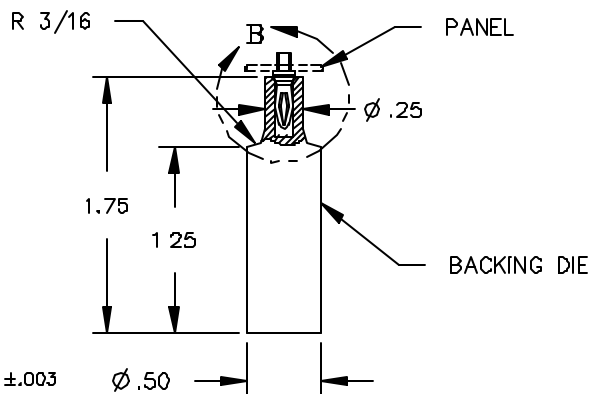
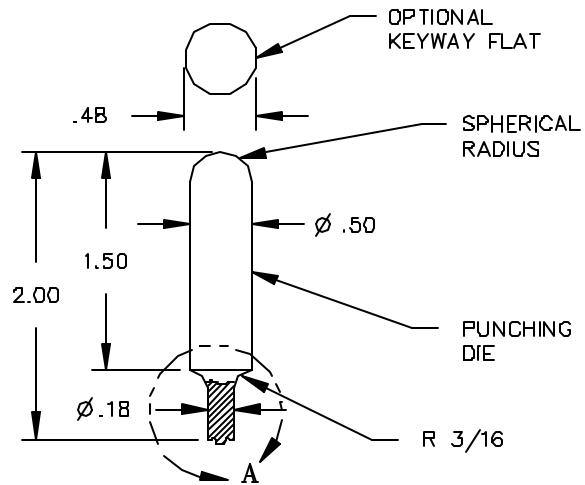
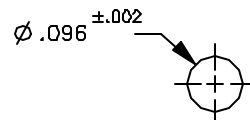


FIG 1
FULL SCALE



PANEL CUTOUT
SCALE 4:1

3. SURFACE FINISH: $63\sqrt{\text{ }}$ OR FINER FOR SECTIONAL VIEWS A & B.
2. OVERALL DIMENSIONS OF PUNCHING AND BACKING DIES AS SHOWN IN FIG 1 ARE FOR REFERENCE ONLY AND CAN BE CHANGED TO FIT SPECIFIC TOOLING; HOWEVER, DIMENSIONS AS SHOWN IN VIEWS A & B MUST BE MAINTAINED FOR PROPER SWAGING.
1. RECOMMENDED MATERIAL: 4130 CHROMIUM STEEL ALLOY, D2 STEEL OR EQUIVALENT TOOL STEEL, HEAT TREAT TO 60-62RC HARDNESS.

All dimensions are in inches. Tolerances (except noted): .xx = ± 0.02 " (.51 mm), .xxx = ± 0.005 " (.127 mm).

All specifications are to the latest revisions. Specifications are subject to change without notice.

Registered trademarks are the property of their respective companies. Made in USA