



### Product Description:

- Hanger - Door - Long
- Holds BOWMAN® protection systems
- Hooks over the top of a door with a thickness no greater than 2.44"
- Quartz Beige Powder-Coated Steel

### Primary Area for Product Usage:

- Anywhere a door hanger is needed to mount a BOWMAN® dispenser for personal protection equipment

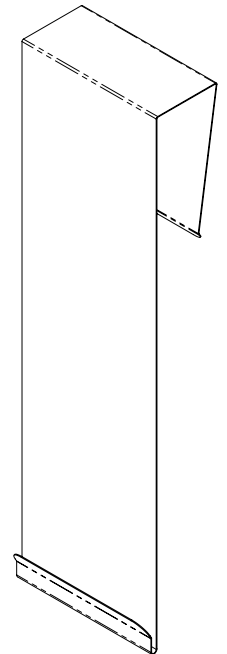
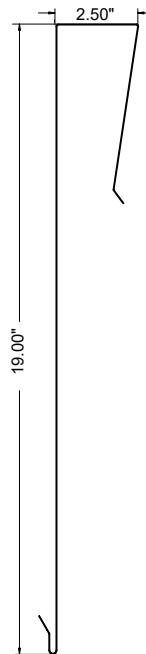
### Package Specifications:

- Package Quantity: 12 per case
- 21"W x 14"H x 10"D (53.3cm x 35.6cm x 25.4cm)
- 19.00 lbs (8.6kg) - approximated

### Product Specifications (overall external dimensions):

- 5.50"W x 19.00"H x 2.50"D (14.0cm x 48.3cm x 6.4cm)
- 1.4 lb (0.6kg) - approximated

### Mounting Specifications:



### Related Products (each sold separately):

- MB-600 - Door Hanger - Standard (shown below)



### Proper Hanging Procedure:

- 1) Attach hanger securely - back of hanger must lay flush against surface
- 2) Hang empty dispenser on hanger.
- 3) Load product in dispenser.
- 4) To remove, reverse order of steps.

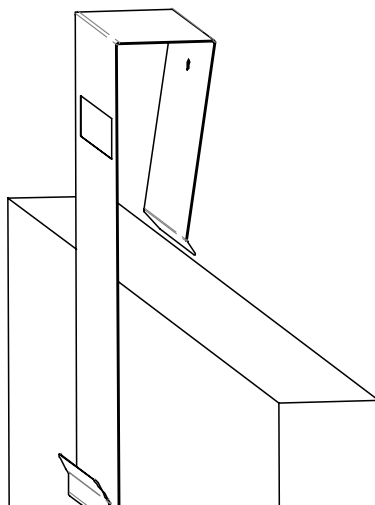




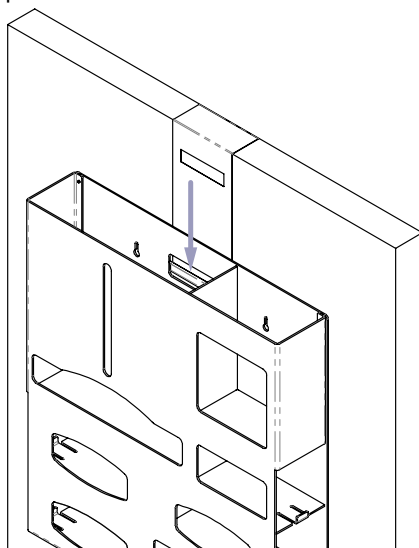
## Installation

Always mount dispensers securely *prior* to loading with product.

- Mount hanger to door before attaching a dispenser.
- Top of hanger **MUST** lay flush with top of door. Door thickness cannot exceed 2.44".



- Mount empty dispenser on hanger. (PS016-0212 shown below.)
- Load dispenser with product.



### Parts included:

- Dispenser

### Tools Required:

- No tools required to assemble dispenser

## Care and Construction

### Powder-Coated Steel

#### Material Characteristics

### Designed for Long-Term, Heavy-Duty Applications

Dispensers and stands made of powder-coated steel are both attractive and functional, providing years of service. Our powder-coated steel dispensers and stands provide long-lasting products that hold up well in tough environments.

Powder-coated steel is ideal for dispensers used in a healthcare or an industrial setting. It is impact resistant and is not effected by extremes in temperature.

#### Care and Cleaning

The powder-coated finish resists common chemicals and cleaning agents and can be easily wiped clean with soap and water.