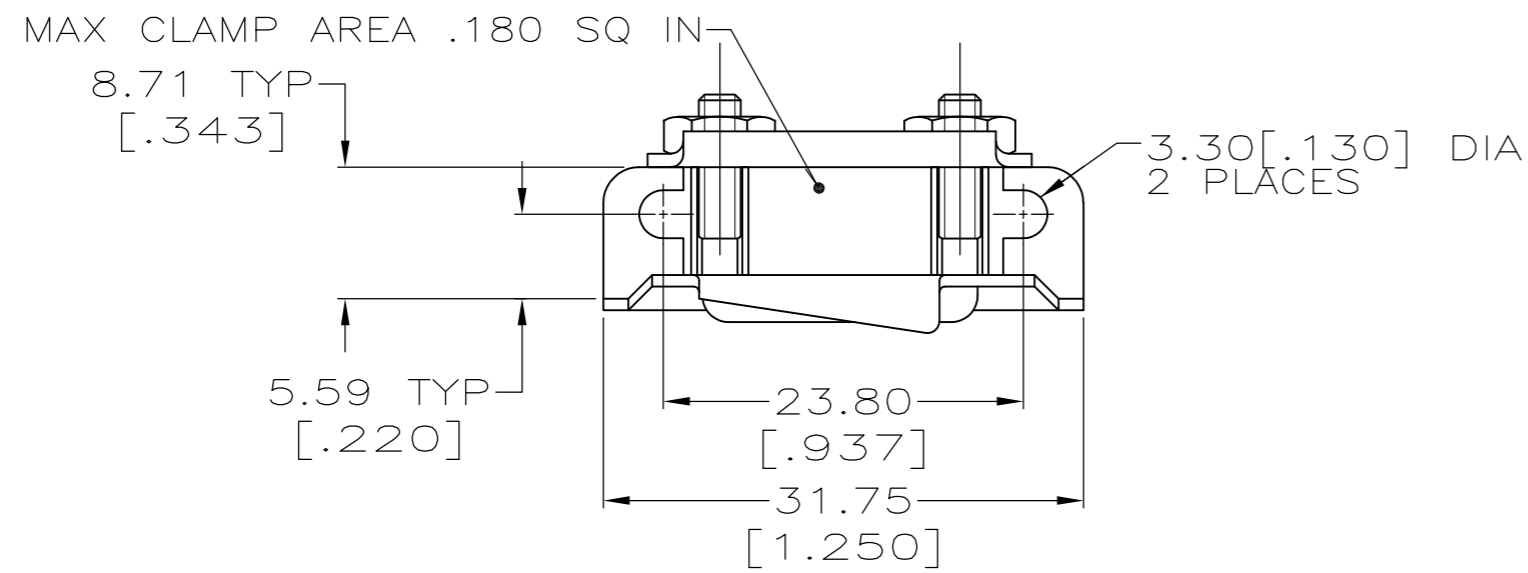
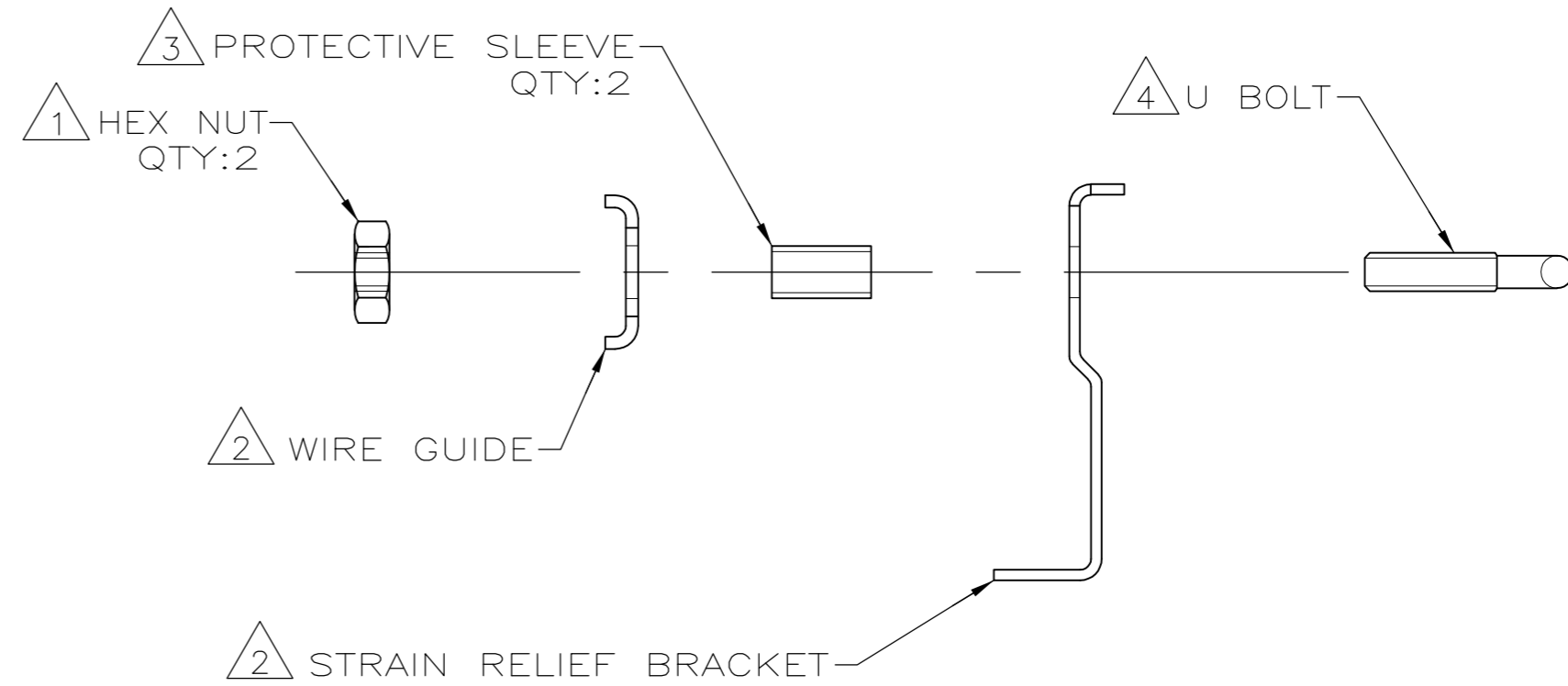
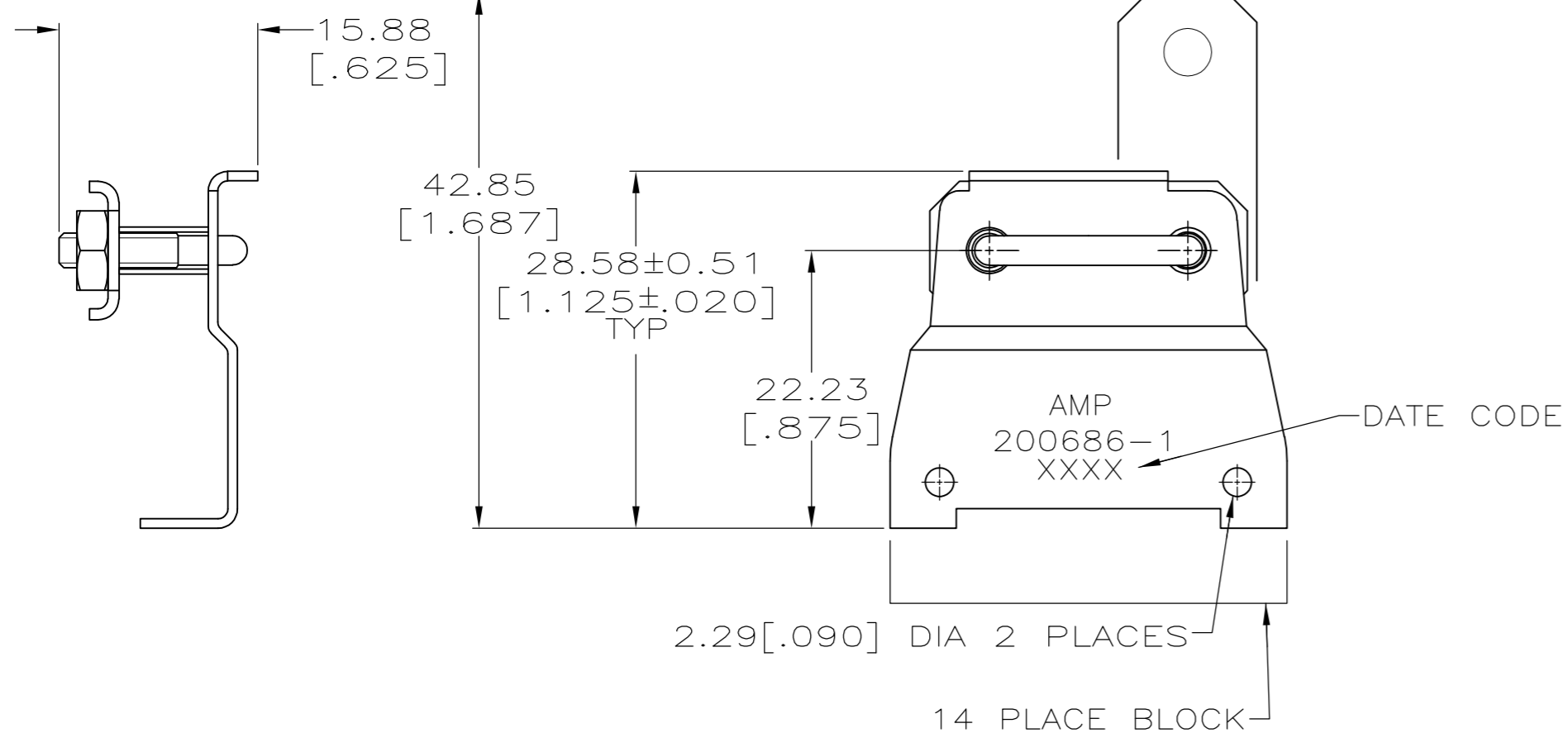


THIS DRAWING IS UNPUBLISHED. RELEASED FOR PUBLICATION
 © COPYRIGHT BY TYCO ELECTRONICS CORPORATION. ALL RIGHTS RESERVED.

LOC	DIST	REVISIONS			
P	LTR	DESCRIPTION	DATE	DWN	APVD
FT	0	M	REVISED PER ECO-08-031035	15DEC08	HMR GS



ALTERNATIVE POSITION OF WIRE GUIDE FOR 90° CABLE OUTLET.



ASSEMBLED VIEW

- 1 MATERIAL: CARBON STEEL. FINISH: ZINC PLATED
- 2 MATERIAL: CARBON STEEL. FINISH: 5.08um[.000200] MIN THICK NICKEL.
- 3 MATERIAL: FLEXIBLE PVC.
- 4 MATERIAL: STAINLESS STEEL. FINISH: PASSIVATED.

200686-4
200686-1
PART NUMBER

THIS DRAWING IS A CONTROLLED DOCUMENT.		DWN C.REIFSNYDER 17 MAY 95	Tyco Electronics Corporation	
DIMENSIONS: mm		CHK R.STONE 30 MAY 95	Harrisburg, Pa 17105-3608	
TOLERANCES UNLESS OTHERWISE SPECIFIED:		APVD G.STEINHAUER 05 OCT 95	NAME	
0 PLC ± -	1 PLC ± -	PRODUCT SPEC	CLAMP KIT, UNASSEMBLED, STRAIN RELIEF, 14 PLACE, RECTANGULAR, M SERIES	
2 PLC ± 0.38[.015]	3 PLC ± -	APPLICATION SPEC	SIZE A2	CAGE CODE 00779
4 PLC ± -	ANGLES ± -	WEIGHT -	DRAWING NO C=200686	RESTRICTED TO -
MATERIAL SEE CALLOUTS	FINISH SEE CALLOUTS	CUSTOMER DRAWING	SCALE 2:1	SHEET 1 OF 1
			REV M	