

Contact Layout

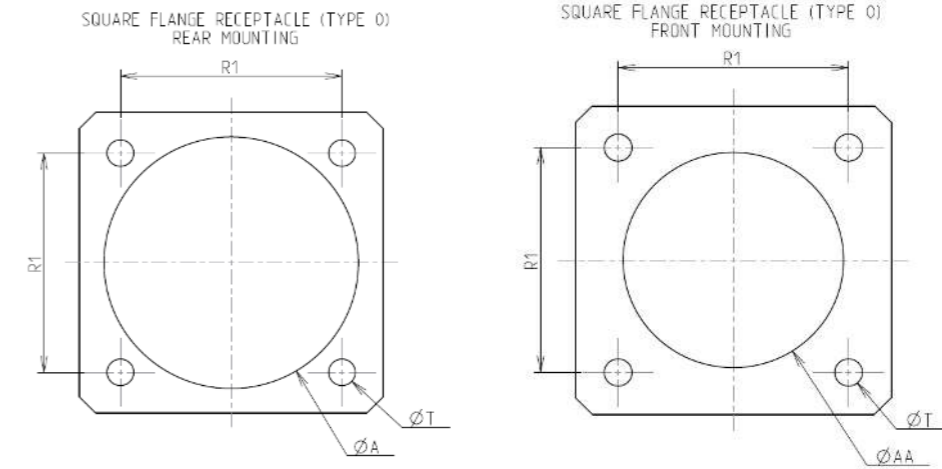


Contacts (Insert arrangement 9-35)			
Contact position ID	Contact location		
	X-axis (mm)	Y-axis (mm)	
1	+045 (1.14)	+078 (1.98)	
2	+078 (1.98)	-045 (1.14)	
3	+000 (0.00)	-090 (2.29)	
4	-078 (1.98)	-045 (1.14)	
5	-045 (1.14)	+078 (1.98)	
6	+000 (0.00)	+000 (0.00)	

(Applicable to MIL-DTL-38999 and SAE-AS29600)

Shell size	Arrangement no.	Number of contacts	Size contacts	Service rating	Contact location	Supersedes
9	-35	6	22D	M	All	MS27525-35

Panel Cutout



Dim	Nominal
ØA	16.66 min
ØAA	13.11 min
R1	18.26
ØT	3.25 ±0.13

SOURIAU shall not be liable for any non-conformity or damage due to a use of the Products which does not comply with the Specifications issued by either of the Parties or by a third party (professional recommendation, technical notice.)

Country	Jurisdiction & Control List
FR	Not Listed

PN: 8D009S35SE

A	03-10-2016	First Release	
ISS	DATE	Latest modification - by	MOD N°
Designed By:		Date:	CUSTOMER DRAWING
TITLE	Stainless Steel Receptacle 8D series		
SCALE		General linear Tolerances:	NPRDS / PROJECT
NA		±--	859
SOURIAU	WWW.SOURIAU.COM		This document is the property of SOURIAU it must not be reproduced or communicated without permission
FORMAT	SOURIAU DRG N° 8D009S35SE-C		SHEET 2/2