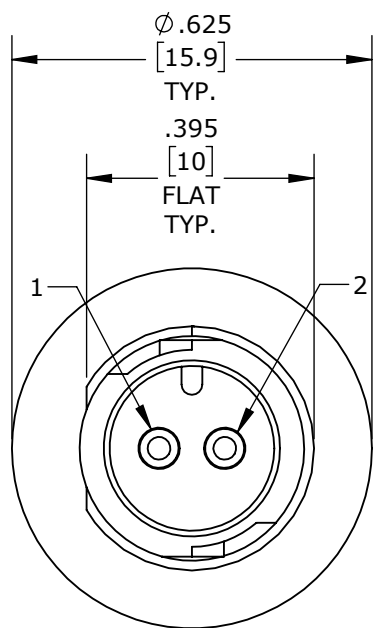


MFG. ENG.	APPROVED BY:	DATE:	QA	APPROVED BY:	DATE:
-----------	--------------	-------	----	--------------	-------

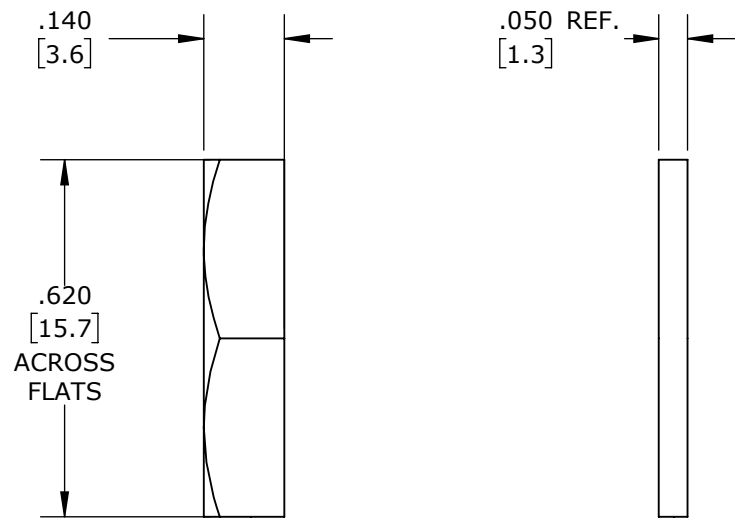
PART NO.	NO. OF PINS
W17281-2PG-P-300	2
W17281-3PG-P-300	3

**NOTES:**

1. ALL PARTS ARE BULK PACKED.
2. REFER TO DRAWING HPMCSTD FOR CONTACT PATTERNS.
3. ALL DIMENSIONS ARE REFERENCE ONLY IN INCHES [mm], WITHIN ±0.015 UNLESS OTHERWISE NOTED.

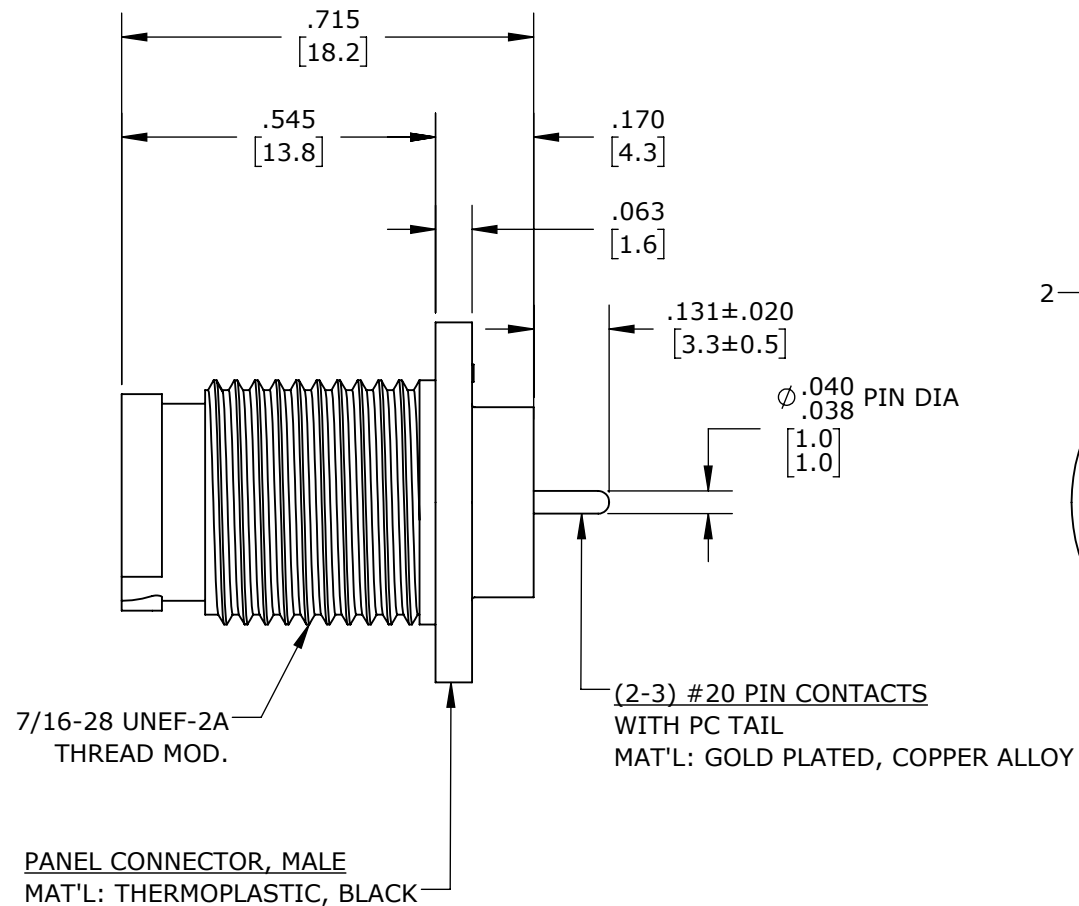


**FACE VIEW**  
W17281-2PG-P-300



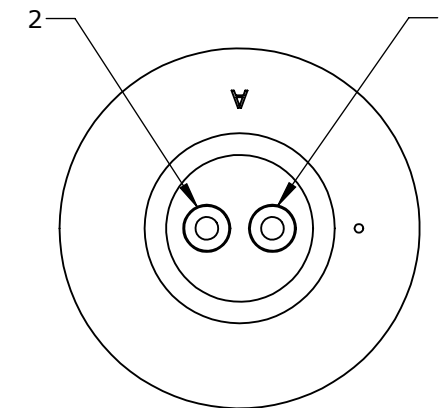
5/8 IN. HEX NUT  
MAT'L: THERMOPLASTIC, BLACK

GASKET  
MAT'L: ELASTOMER, BLACK

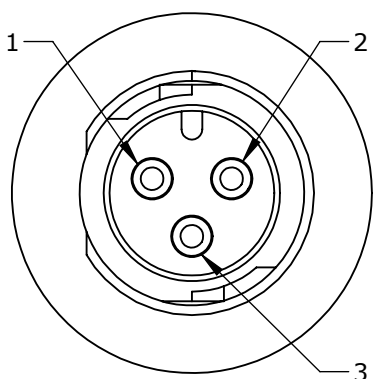


PANEL CONNECTOR, MALE  
MAT'L: THERMOPLASTIC, BLACK

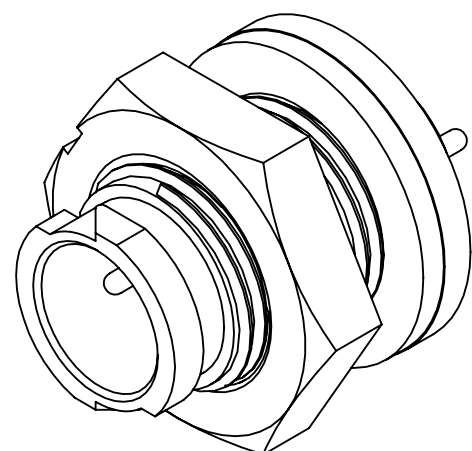
(2-3) #20 PIN CONTACTS  
WITH PC TAIL  
MAT'L: GOLD PLATED, COPPER ALLOY



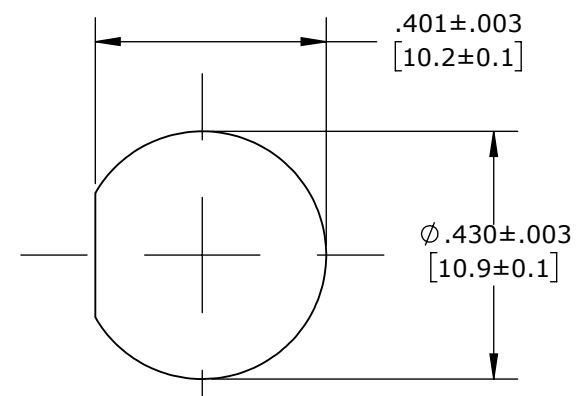
**WIRE VIEW**  
W17281-2PG-P-300



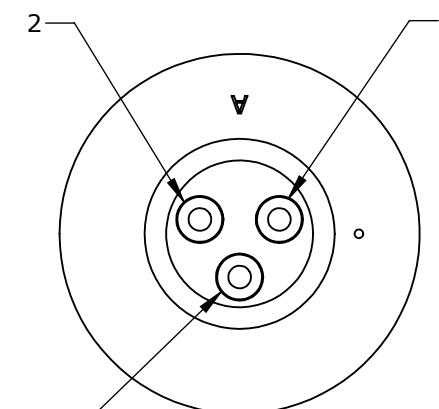
**FACE VIEW**  
W17281-3PG-P-300



**ASSEMBLED VIEW**  
FOR CUSTOMER REF. ONLY



**RECOMMENDED PANEL CUTOUT**




**WIRE VIEW**  
W17281-3PG-P-300

**PRELIMINARY**

DIMENSIONS IN BRACKETS [ ] ARE METRIC

CUSTOMER APPROVAL	
THIS DOCUMENT CONTAINS CONFIDENTIAL INFORMATION PROPRIETARY TO CONXALL CORPORATION. ANY REPRODUCTION, DISCLOSURE, OR USE OF THIS DOCUMENT / INFORMATION IS EXPRESSLY PROHIBITED UNLESS AUTHORIZED IN WRITING BY CONXALL CORPORATION.	
APPROVED BY: _____	
DATE: _____	

**RoHS COMPLIANT**

0A	JGK	8/12/19	DRAWING CREATED FOR PDR #18004.		
REV.	INIT.	DATE	DESCRIPTION		
	JGK	8/12/19	ALL INFORMATION ILLUSTRATED IS THE PROPERTY OF CONXALL CORPORATION. UNAUTHORIZED DUPLICATION OR DISTRIBUTION OF THIS DOCUMENT IS PROHIBITED. ORG. DRAWN BY: JGK DATE: 8/12/19 CHECKED BY: _____ ALL UNITS ARE IN FEET, INCHES, FRACTION OF INCHES AND DECIMALS. UNLESS OTHERWISE SPECIFIED TOLERANCES: 3 PLACE DECIMALS ±.005 ANGLES ±1° FRACTIONS ±1/16 - CRITICAL CHARACTERISTIC FLAG PER SPEC. XXXX		
APPROVED BY: _____			 601 E. WILDWOOD VILLA PARK, IL 60181 TITLE: PANEL MOUNT ASSEMBLY (2-3) #20 PIN CONTACTS, PC TAIL INSTA-CLICK, MICRO-CON-X STANDARD PRODUCT CUSTOMER: _____		
SCALE	SIZE	SHEET			
NTS	B	1 OF 1			
FILE: W17281-XPG-P-300	DIRECTORY: SLW	PART NUMBER: W17281-XPG-P-300	REV	0A	

CUSTOMER PRINT

PART NUMBER: W17281-XPG-P-300