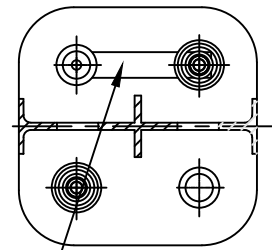
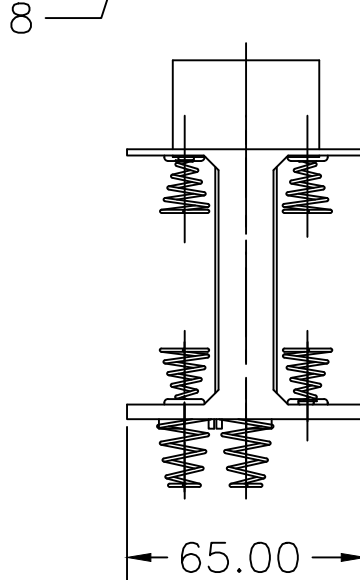
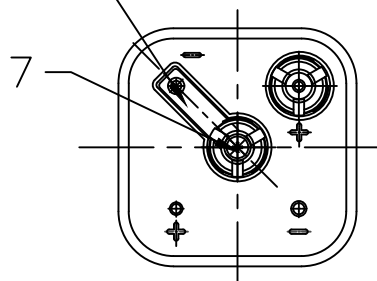
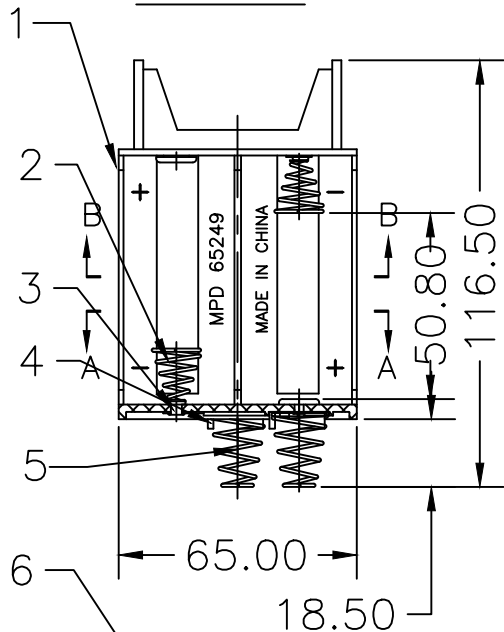


SECTION B-B



SECTION A-A



REVISIONS					
FER.FILE	ZNOE	QTY.	DESCRIPTION	REV.	CHANGED BY / DATE
			UPDATED TO "ROHS COMPLIANT"	E	BS MAR.06.19

ROHS COMPLIANT

ITEM	PART NAME	MATERIAL	QTY	P/N
8	JUMP PLATE LONG	STEEL NI-PLATED	3	47-274102
7	SCREW M3X6	45# ST. NI-PLATED	1	41-225052
6	JUMP PLATE	STEEL NI-PLATED	1	47-274101
5	OUT SPRING	SPR-STEEL NI-PLATED	2	49-274101
4	PEDESTAL	STEEL NI-PLATED	2	47-274103
3	EYELET	SPR-STEEL NI-PLATED	4	44-100001
2	SPRING '-'	SPR-STEEL NI-PLATED	4	49-274102
1	BATTERY HSG	PP	1	53-27401

Tolerance
(Except as noted)



Memory Protection Devices, Inc

200 Broad Hollow Road, Farmingdale, New York 11735

decimal
±.5 (.020)

Scale
1=1
Drawn By
Approved By

Fractional
± .8 (.030)

Title
LANTERN BATTERY REPLACEMENT
USING FOUR UM-1 OR D CELLS

Angular
± 3°

Date
03/06/19

Drawing Number
BA4D-S