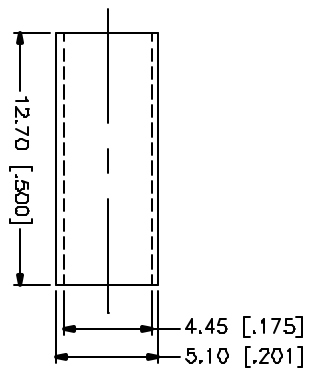
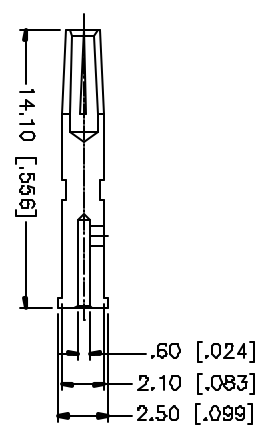
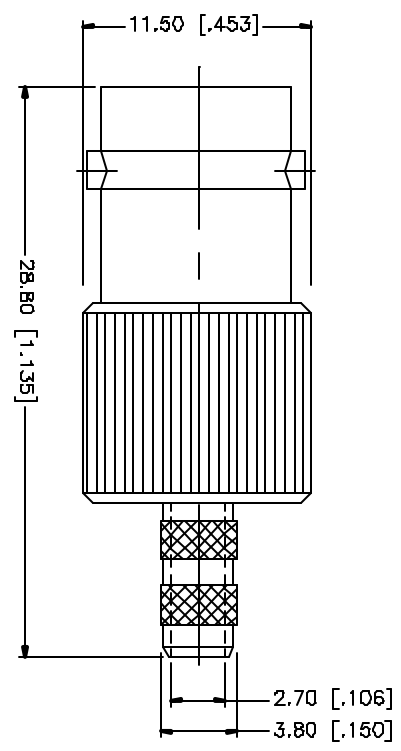
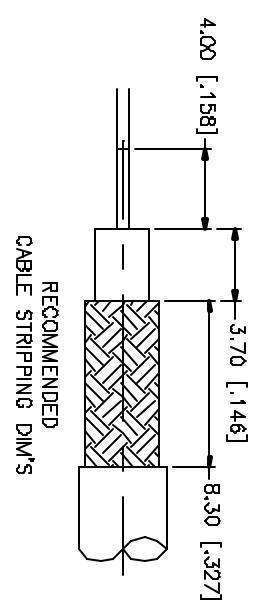


REV.	DATE	DESCRIPTION
A	11/21/03	UPDATE DRAWING FORMAT
B	04/14/04	MODIFY CABLE DESCRIPTION



NOTE:  
 1. CRIMPED FERRULE  
 HEX CRIMP SIZE .178"  
 2. CRIMPED CONTACT PIN  
 HEX CRIMP SIZE .068"

NO.	DESCRIPTION	MATERIAL	FINISH	QTY	UNLESS OTHERWISE SPECIFIED DIMENSIONS ARE IN MILLIMETERS (DIMENSIONS IN [ ] ARE IN INCHES AND FOR DIMENSIONS REFER TO Dwg. NO. 112559) DIMENSIONS FOR MILLIMETER AND INCHES ARE:	APPROVALS	DATE	PART DESCRIPTION	
1	INSULATOR	DELFIN	NATURAL	1	UNLESS OTHERWISE SPECIFIED DIMENSIONS ARE IN MILLIMETERS (DIMENSIONS IN [ ] ARE IN INCHES AND FOR DIMENSIONS REFER TO Dwg. NO. 112559) DIMENSIONS FOR MILLIMETER AND INCHES ARE: .25 - .8mm ± 0.20mm .8 - .30mm ± 0.40mm .30 - .120mm ± 0.30mm .020 - .315 = ± 0.001" .315 - 1.180 = ± 0.015" 1.180 - 4.724 = ± 0.020" DO NOT SCALE DRAWING			<b>Amphenol</b> <b>Comnex</b> BNC CRIMP JACK (FOR BELDEN 8218 CABLE - 75 ohms) 112559	
2	INSULATOR	BRASS	NICKEL	1					
3	CONTACT PIN	PHOS. BRONZE	GOLD	1					
4	FERRULE	COPPER	NICKEL	1					
5	INSULATOR	DELFIN	NATURAL	1					
6	INSULATOR	DELFIN	NATURAL	1					
7	INSULATOR	DELFIN	NATURAL	1					
8	INSULATOR	DELFIN	NATURAL	1					
DESCRIPTION									
MATERIAL									
FINISH									
QTY									
CAD FILE					C:/112/112559.DWG				
Dwg. No.					112559.DWG				
REV.					B				
SIZE					A				
SCALE					NA				