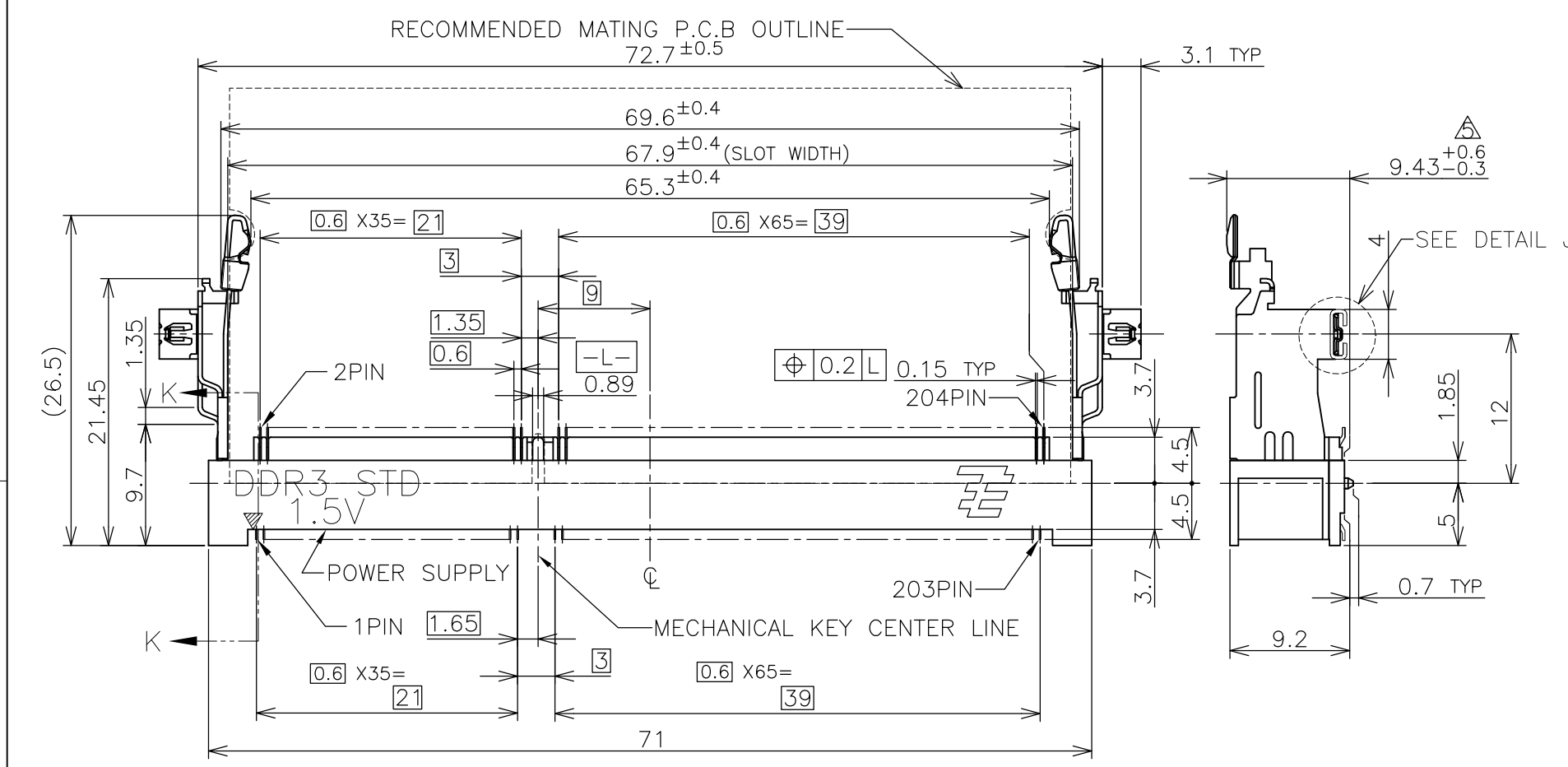
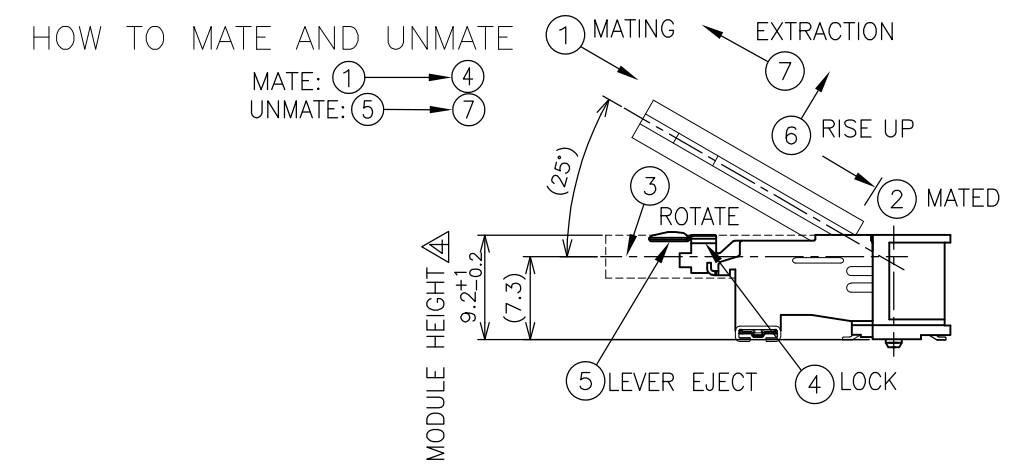
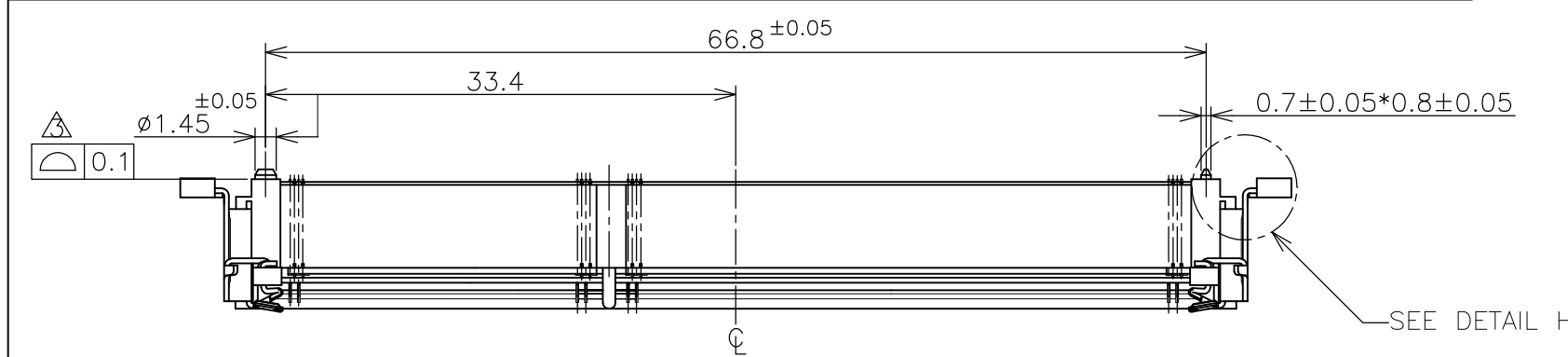
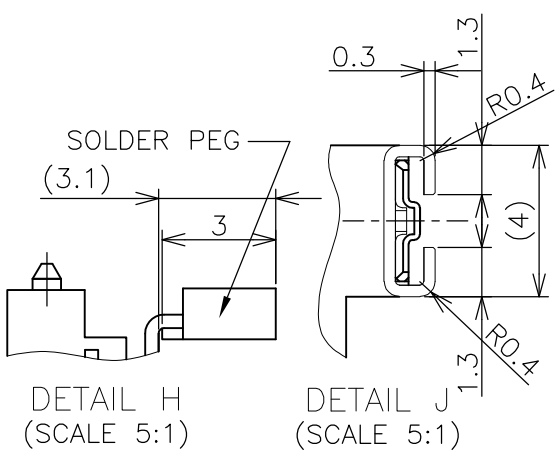
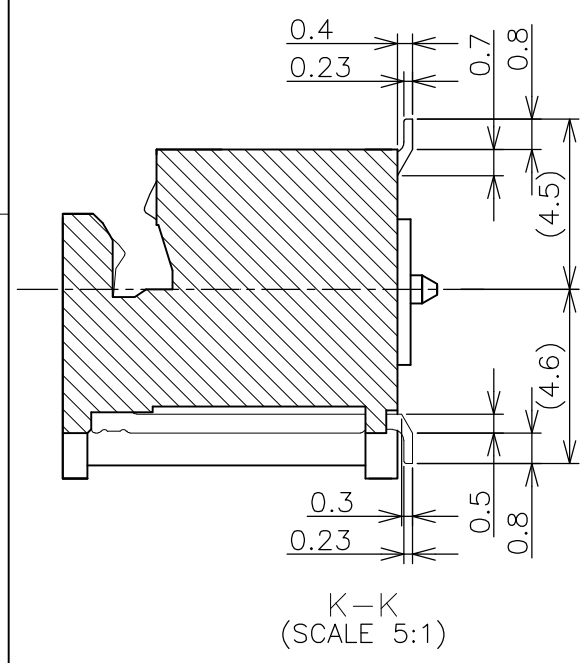


THIS DRAWING IS UNPUBLISHED. RELEASED FOR PUBLICATION SEP ,2007.  
 © COPYRIGHT 2007 By - ALL RIGHTS RESERVED.

LOC	DIST	REVISIONS					
ES	/	P	LTR	DESCRIPTION	DATE	DWN	APVD
		C		REVISED PER ECR-12-004002	01MAR2012	W.W	C.W



- (APPLIED TO SHEET 1-2)
- 1. MATERIAL ; HOUSING: HIGH TEMPERATURE THERMO PLASTIC UL94V-0  
 COLOR: SEE TABLE  
 CONTACT: COPPER ARROY  
 LOCK LEVER: STAINLESS STEEL  
 PEG: COPPER ARROY
  - 2-1. FINISH ; CONTACT AREA: GOLD FLASH  
 ALL OVER NICKEL.  
 SOLDERING AREA: GOLD FLASH PLATING  
 PEG: MATTE TIN PLATING.
  - 2-2. FINISH ; CONTACT AREA: 0.000254MIN GOLD  
 ALL OVER NICKEL.  
 SOLDERING AREA: GOLD FLASH PLATING  
 PEG: MATTE TIN PLATING.
- ⚠ COPLANARITY: 0.1 MAX. (BEFORE SOLDERING)  
 ⚠ THE FLOATING VALUE BY SOLDERING IS NOT INCLUDED.  
 ⚠ NOT MATING CONDITION.
6. IF THE MODULE DOESN'T INSERT AND LOCK IN THE LATCH SMOOTHLY, OPEN WIDE BOTH LATCHES BY MANUAL. AND THE MODULE MUST BE INSERTED AND LOCKED IN THE LATCH.



GENERAL TOLERANCE  
 10≥:±0.2  
 30≥ >10:±0.25  
 100≥ >30:±0.3  
 ANGLES:±3°

AVAILABLE	EMBOSS (SEE SHEET 4)	WITHBOSS	BLACK	NOTE 2-2	1.5V	204	1932209-2
AVAILABLE	EMBOSS (SEE SHEET 4)	WITHBOSS	BLACK	NOTE 2-1	1.5V	204	1932209-1
TOOLING STATUS	PACKAGING TYPE	REMARK	HOUSING COLOR	FINISH	POWER SUPPLY	POS	PART NO.

THIS DRAWING IS A CONTROLLED DOCUMENT.

DWN	C.KEVIN	19NOV2008
CHK	W.COREL	13JAN2009
APVD	Y.STEVEN	13JAN2009

NAME: DOWNSIDE

PRODUCT SPEC: 108-78493

APPLICATION SPEC: 108-78493

WEIGHT: 6.60 g

CUSTOMER DRAWING

SCALE: 2:1

SHEET: 1 OF 4

REV: C

RESTRICTED TO: -

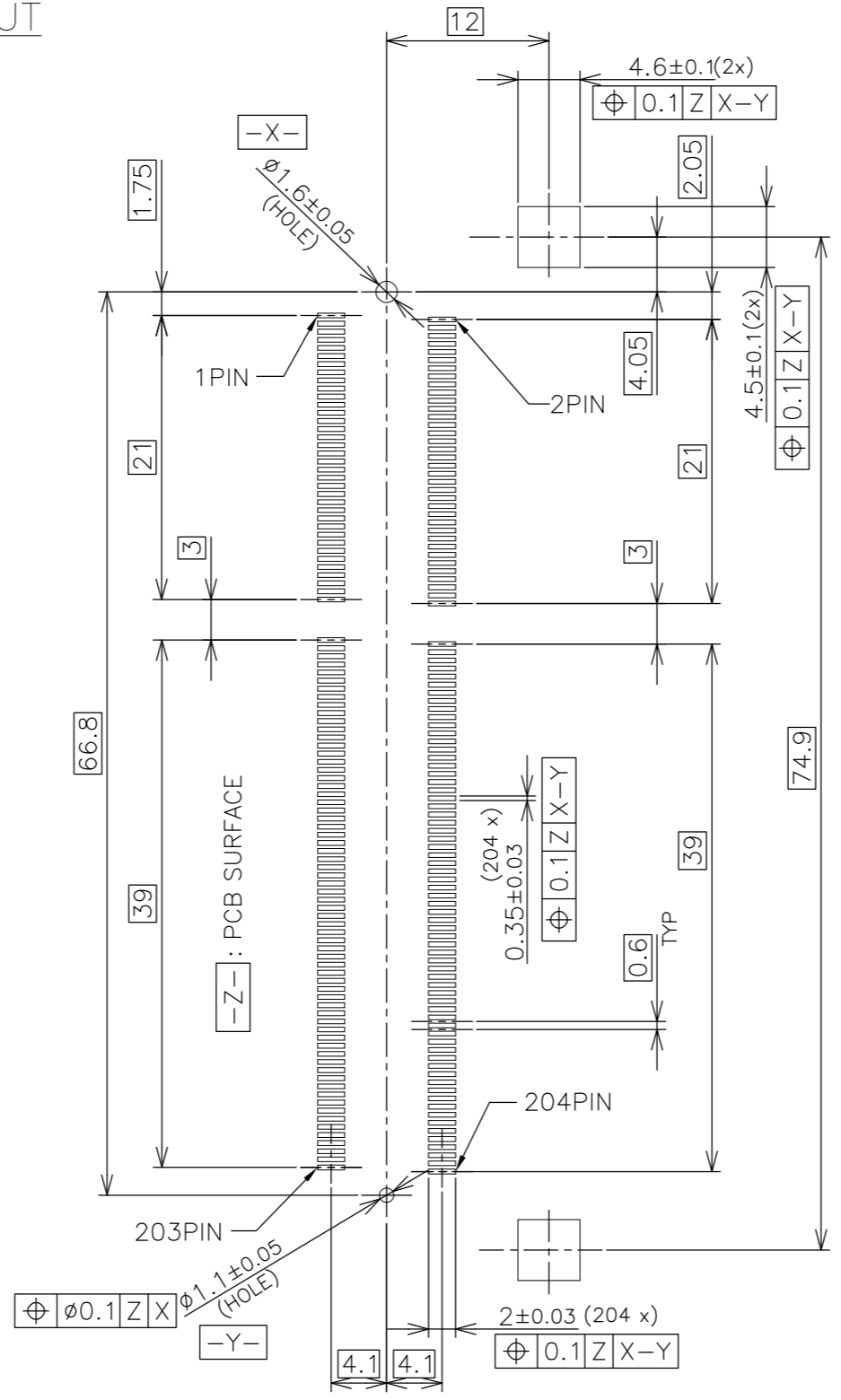
TE Connectivity

DDR3 SODIMM SOCKET  
 0.6mm PITCH 204POS  
 9.2mm HEIGHT STANDARD TYPE

SIZE: A3  
 CAGE CODE: 00779  
 DRAWING NO: C-1932209

LOC		DIST		REVISIONS					
ES				P	LTR	DESCRIPTION	DATE	DWN	APVD
				-		SEE SHEET 1	-	-	-

# REFERENCE P.C.BOARD PATTERN LAYOUT (CONNECTOR MOUNTING SIDE)

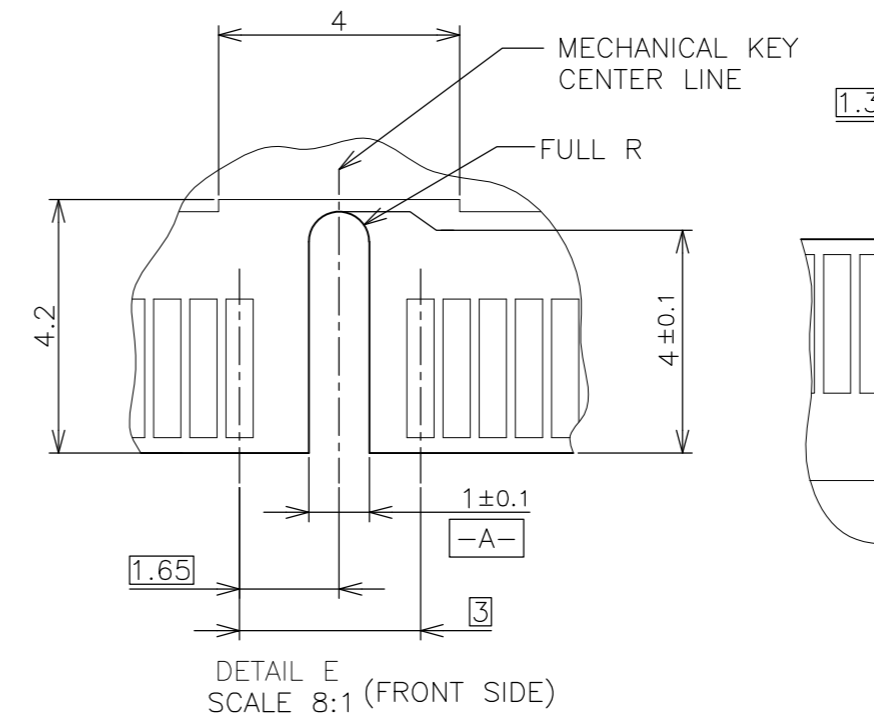
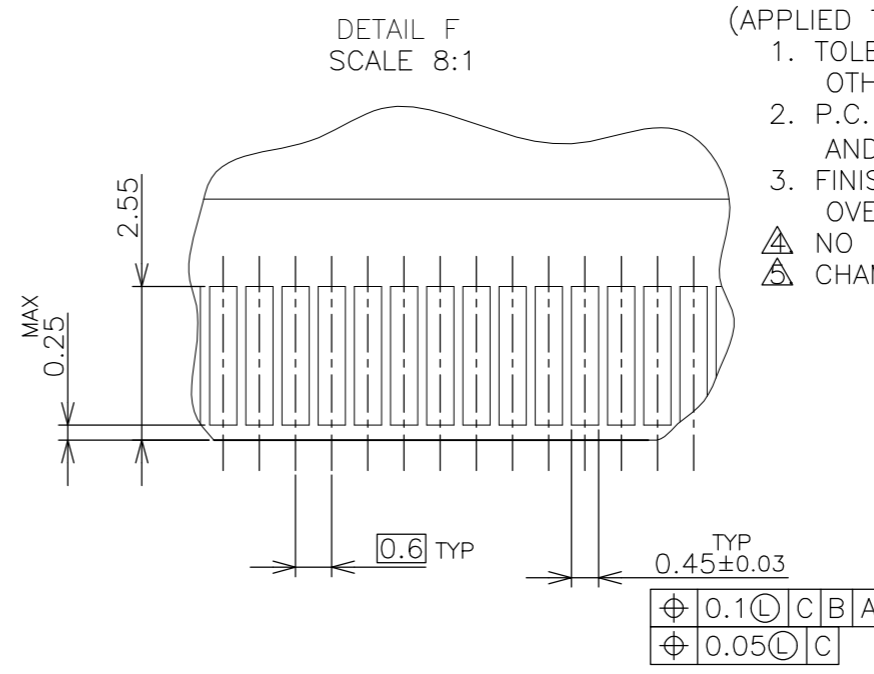
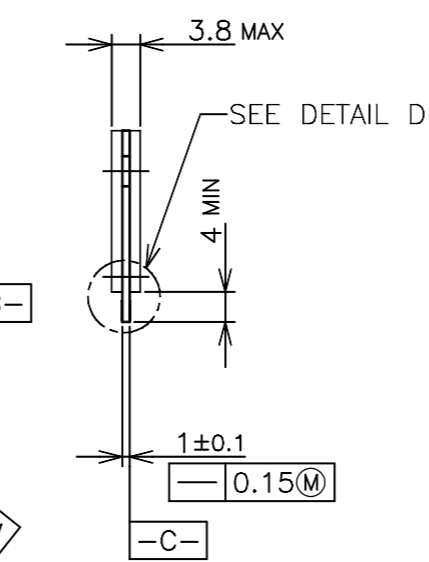
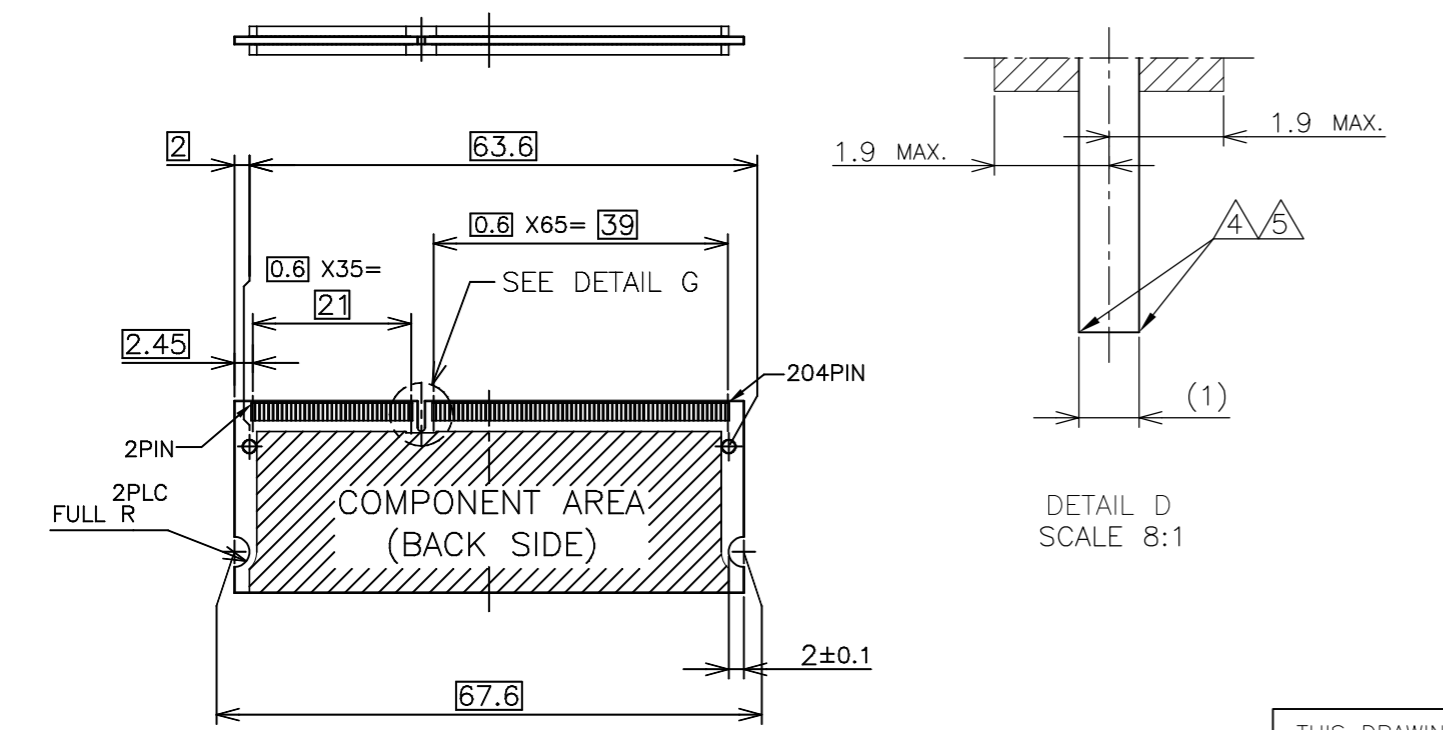
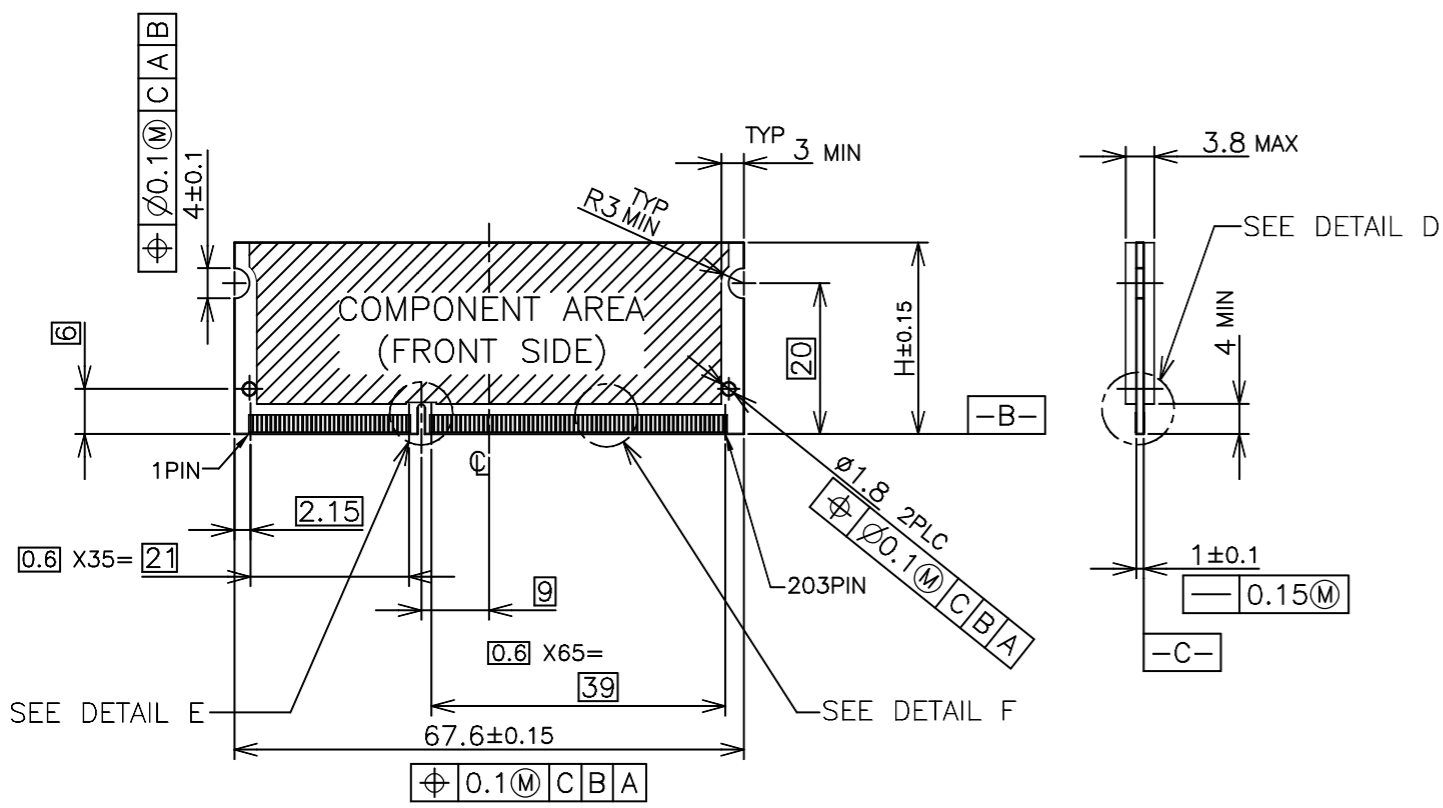


STD TYPE

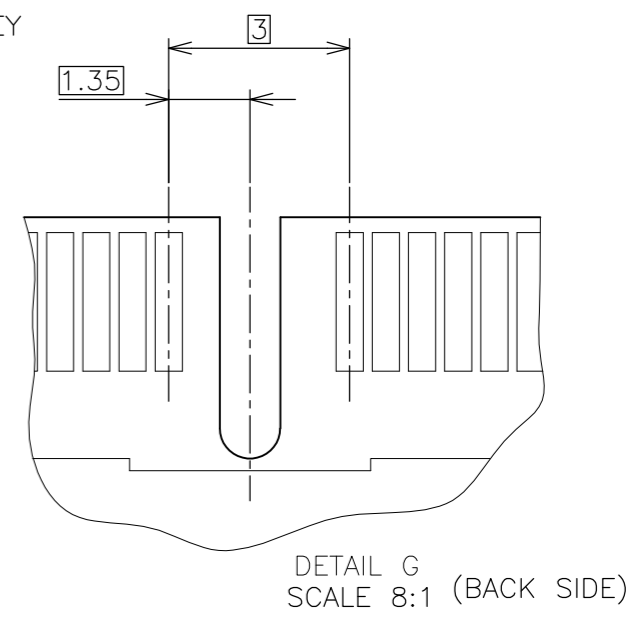
THIS DRAWING IS A CONTROLLED DOCUMENT.		DWN		TE Connectivity					
DIMENSIONS: MM		TOLERANCES UNLESS OTHERWISE SPECIFIED:						NAME	
		0 PLC ± 1 PLC ± 2 PLC ± 3 PLC ± 4 PLC ± ANGLES ± MATERIAL FINISH		APVD		PRODUCT SPEC		DDR3 SODIMM SOCKET 0.6mm PITCH 204POS 9.2mm HEIGHT STANDARD TYPE	
MATERIAL				APPLICATION SPEC		WEIGHT		RESTRICTED TO	
				SCALE		SHEET		REV	
				2:1		2 of 4		C	
				CUSTOMER DRAWING		A3 00779 C-1932209		-	

P	LTR	DESCRIPTION	DATE	DWN	APVD
-	-	SEE SHEET 1	-	-	-

# REFERENCE MATING P.C.B CONFIGURATION



- (APPLIED TO SHEET 3)
1. TOLERANCES ON ALL DIMENSIONS ±0.15 UNLESS OTHERWISE SPECIFIED.
  2. P.C. BOARD THICKNESS APPLIES ACROSS TABS AND INCLUDES PLATING AND/OR METALIZATION.
  3. FINISH OF PAD : GOLD PLATING 0.00076 MIN. OVER Ni PLATING 0.002MIN.
- NO BURR  
CHAMFER 0.25 MAX x 45° IF EXIST.

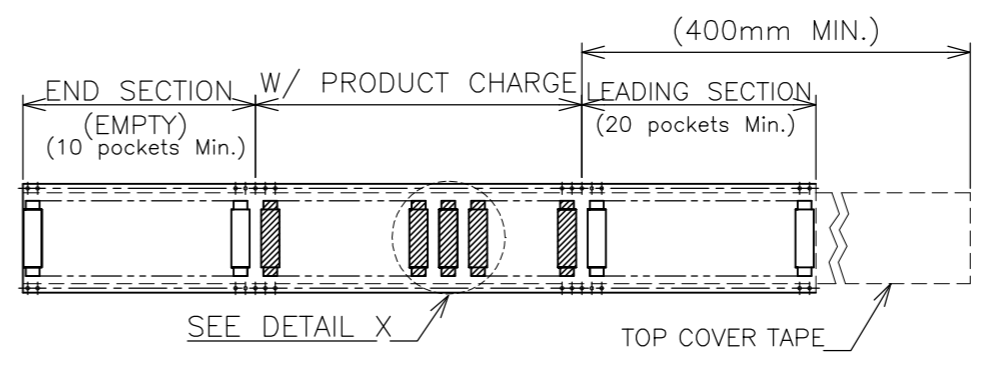
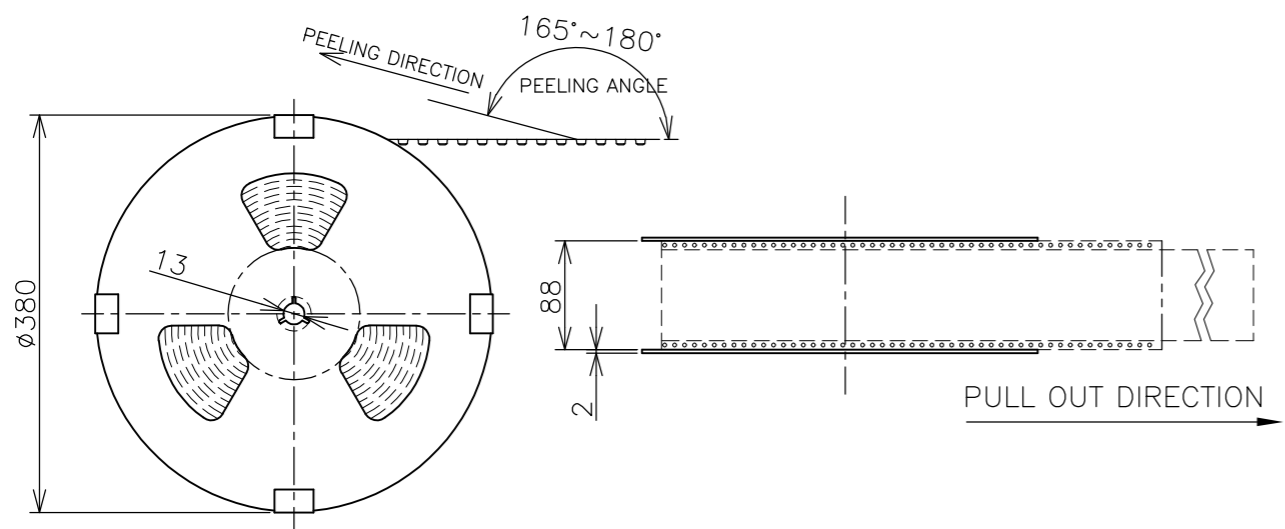


30	CA
31.75	BA
25.4	AA
H	SDRAM VARIATIONS

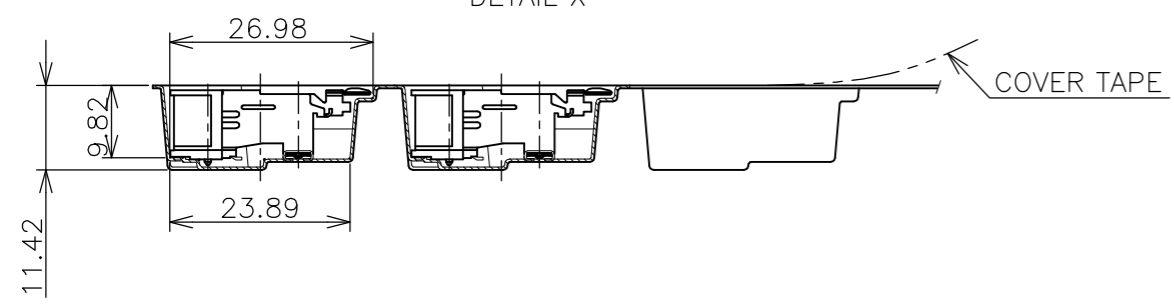
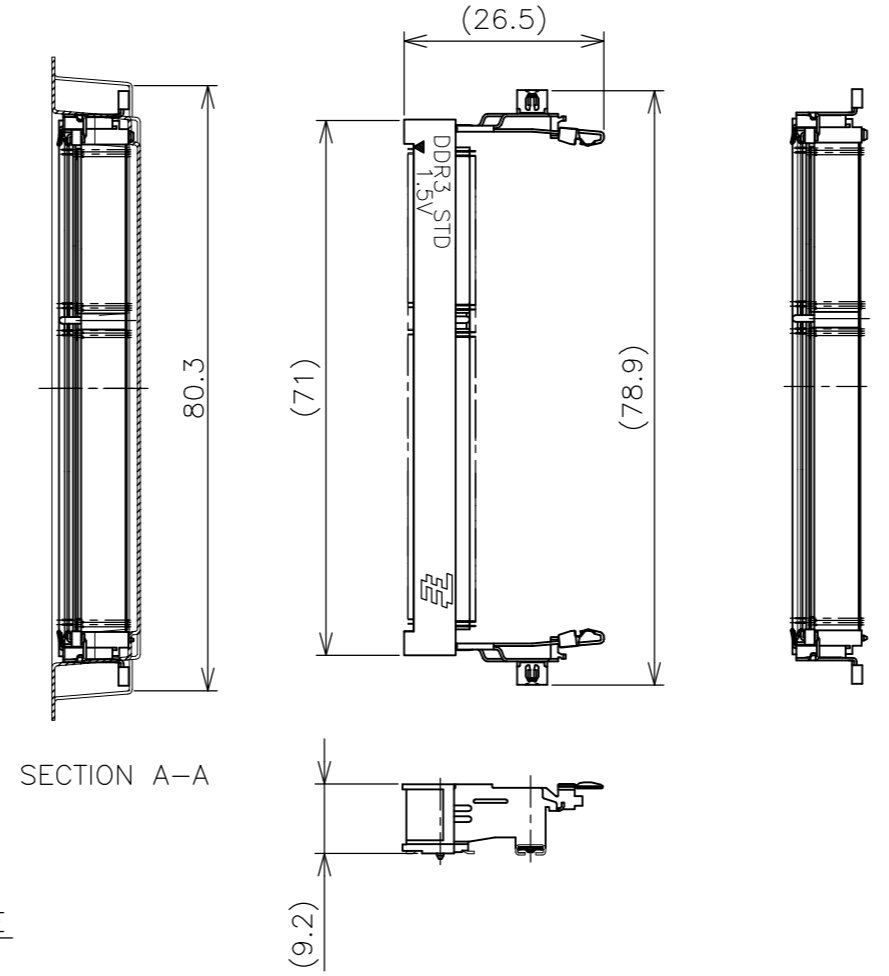
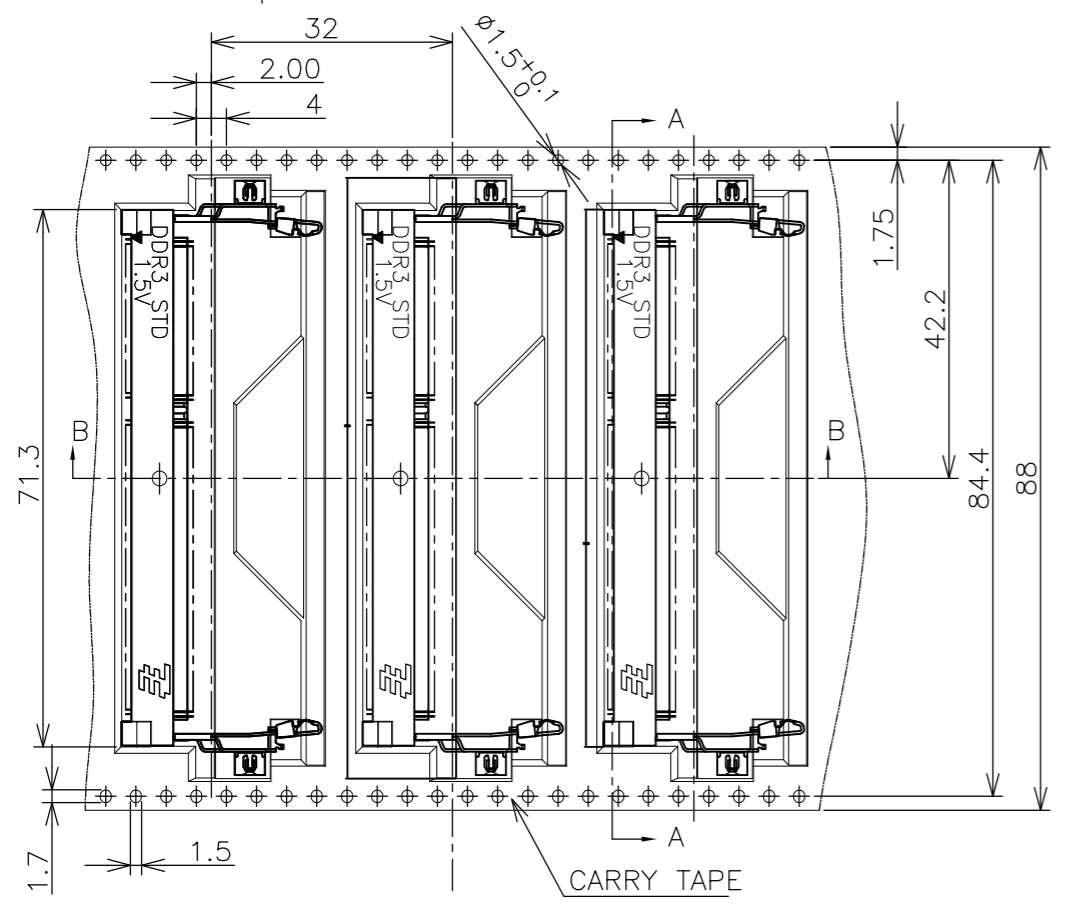
THIS DRAWING IS A CONTROLLED DOCUMENT.		DWN		TE Connectivity	
DIMENSIONS: MM		CHK			
TOLERANCES UNLESS OTHERWISE SPECIFIED:		APVD			
0 PLC ± 1 PLC ± 2 PLC ± 3 PLC ± 4 PLC ± ANGLES ± FINISH ±		PRODUCT SPEC			
MATERIAL		WEIGHT		NAME	
		CUSTOMER DRAWING		DDR3 SODIMM SOCKET 0.6mm PITCH 204POS 9.2mm HEIGHT STANDARD TYPE	
		SCALE 2:1		RESTRICTED TO	
		SHEET 3 OF 4		REV C	
		DRAWING NO. A300779		CAGE CODE C-1932209	

THIS DRAWING IS UNPUBLISHED. RELEASED FOR PUBLICATION SEP ,2007.  
 © COPYRIGHT 2007 By - ALL RIGHTS RESERVED.

LOC		DIST		REVISIONS			
P	LTR	DESCRIPTION		DATE	DWN	APVD	
	-	SEE SHEET 1		-	-	-	



(APPLIED TO SHEET 4)  
 1. THE DIRECTION OF EACH CONNECTOR ON A EMBOSS IS REFERRED TO THIS DRAWING.  
 2. GENERAL TOLERANCE: ±0.5, ±3'



180EA	1932209-2
180EA	1932209-1
QTY/REEL	PART NO.

THIS DRAWING IS A CONTROLLED DOCUMENT.		DWN		TE Connectivity	
DIMENSIONS: MM		CHK			
		APVD			
TOLERANCES UNLESS OTHERWISE SPECIFIED: 0 PLC ± 0.5 1 PLC ± 0.5 2 PLC ± 0.5 3 PLC ± 0.5 4 PLC ± 0.5 ANGLES ± 3' MATERIAL FINISH		NAME			
MATERIAL		PRODUCT SPEC		DDR3 SODIMM SOCKET	
		APPLICATION SPEC		0.6mm PITCH 204POS	
		WEIGHT		9.2mm HEIGHT STANDARD TYPE	
		CUSTOMER DRAWING		SIZE	RESTRICTED TO
				A3	-
				CAGE CODE	
				00779	
				DRAWING NO	
				C-1932209	
				SCALE	
				1:2	
				SHEET	
				4 OF 4	
				REV	
				C	