

- EDR28 Horizontal Core Configuration
- 7 Pin Through Hole Mounting
- Operating Temperature Range: -40°C to +85°C

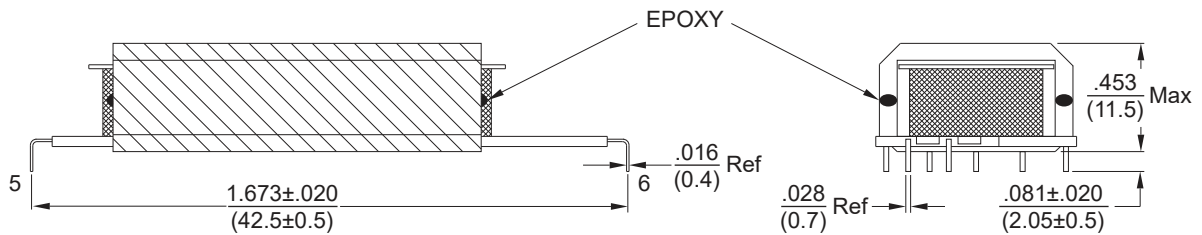
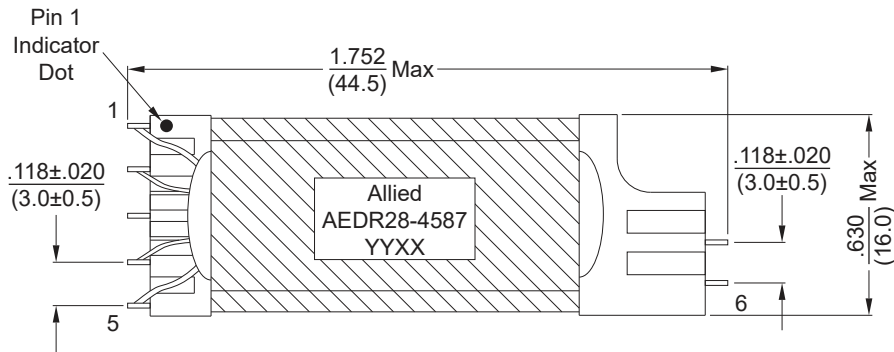


Specifications @ 25°C				
Inductance @ 1KHz, 1.0V (1 - 2)	DCR (mΩ) ±20%		Turns Ratio (1 - 2) : (4 - 5)	Hi Pot VAC / 1mA / 1S Pri - Sec
	1 - 2	4 - 5		
790μH ±10%	800	340	3.889 : 1 ±3%	1000

All specifications subject to change without notice.

### MECHANICAL

DIMENSIONS:  $\frac{\text{inch}}{\text{mm}}$



### SCHEMATIC

