

# BC 53,6 OT U22 BK 9005 - Upper part of housing



2202193

<https://www.phoenixcontact.com/us/products/2202193>

Please be informed that the data shown in this PDF document is generated from our online catalog. Please find the complete data in the user documentation. Our general terms of use for downloads are valid.



DIN rail housing for use in distribution boards in accordance with DIN 43880, Upper housing part (U22) with vents, Installation depth connection technology: 22.35 mm, width: 53.6 mm, height: 89.7 mm, depth: 49.78 mm, color: black (9005)

## Your advantages

- Coordinated housing and connection system for faster device development
- Individual online configuration for diverse applications in building automation
- Variety of connection technology
- Can be mounted on the DIN rail or the wall
- With DIN-rail-mountable bus connector and power connector system as an option
- Tool-free mounting
- Available in overall widths from one to nine HP (17.8 mm ... 161.6 mm)
- Compliant with DIN EN 43880

## Commercial data

Item number	2202193
Packing unit	1 pc
Minimum order quantity	10 pc
Note	Made to order (non-returnable)
Sales key	AC10
Product key	ACHBAB
GTIN	4055626012049
Weight per piece (including packing)	24.02 g
Weight per piece (excluding packing)	23.34 g
Customs tariff number	84879090
Country of origin	DE

# BC 53,6 OT U22 BK 9005 - Upper part of housing

2202193

<https://www.phoenixcontact.com/us/products/2202193>

## Technical data

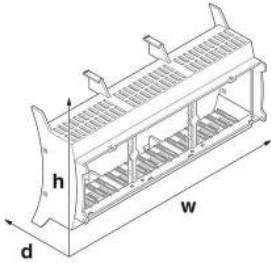
### Notes

General	Refer to the data sheet for the range in the download area.
---------	-------------------------------------------------------------

### Product properties

Product type	Upper housing part
Product family	BC OT U22
Max. number of positions	32 (pitch: 2.5 mm) 24 (pitch: 3.5 mm) 18 (pitch: 5 mm) 12 (pitch: 7.5 mm)
Type	Upper housing part (U22) with vents
Housing type	DIN rail housing for use in distribution boards in accordance with DIN 43880
Ventilation openings present	yes
Housing series	BC

### Dimensions

Dimensional drawing	
Width	53.6 mm
Height	89.7 mm
Depth	49.78 mm
Horizontal pitch	3 Div.

### PCB design

PCB thickness	1.4 mm ... 1.8 mm
---------------	-------------------

### Material specifications

Color	black (9005)
Flammability rating according to UL 94	V0
Surface characteristics	untreated
Housing material	Polycarbonate

### Environmental and real-life conditions

#### Vibration test

Specification	IEC 60068-2-6:2007-12
---------------	-----------------------

# BC 53,6 OT U22 BK 9005 - Upper part of housing



2202193

<https://www.phoenixcontact.com/us/products/2202193>

Frequency	10 - 150 - 10 Hz
Sweep speed	1 octave/min
Amplitude	0.15 mm (10 Hz ... 58.1 Hz)
Acceleration	2g (58.1 Hz ... 150 Hz)
Test duration per axis	2.5 h
Test directions	X-, Y- and Z-axis

## Glow-wire test

Specification	IEC 60695-2-11:2014-02
Temperature	850 °C
Time of exposure	30 s

## Mechanical strength / tumbling barrel

Specification	IEC 60068-2-31:2008-05
Height of fall	50 cm
Frequency	50

## Shocks

Specification	IEC 60068-2-27:2008-02
Pulse shape	Half-sine
Acceleration	15g
Shock duration	11 ms
Number of shocks per direction	3
Test directions	X-, Y- and Z-axis (pos. and neg.)

## Degree of protection (IP code)

Specification	IEC 60529:1989-11 + AMD 1:1999-11 + AMD 2:2013-08
---------------	---------------------------------------------------

## Ambient conditions

Max. IP code to attain	IP20
Ambient temperature (operation)	-40 °C ... 105 °C (depending on power dissipation)
Ambient temperature (storage/transport)	-40 °C ... 70 °C
Ambient temperature (assembly)	-5 °C ... 100 °C
Relative humidity (storage/transport)	95 %

## PCB data

Number of PCB holders	6
Type of PCB mount	Latching
Thickness of the PCB	1.4 mm ... 1.8 mm

## Mounting

Mounting type	Snap in
Mounting position	Vertical (horizontal DIN rail)

# BC 53,6 OT U22 BK 9005 - Upper part of housing

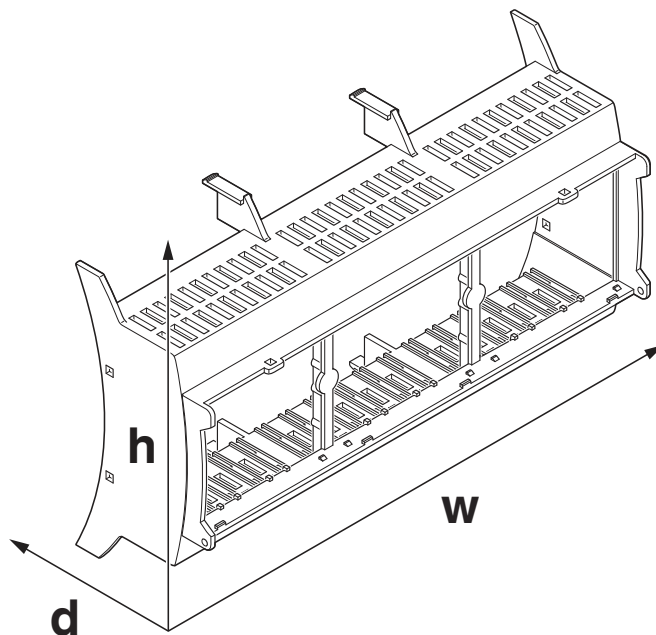
2202193

<https://www.phoenixcontact.com/us/products/2202193>



## Drawings

Dimensional drawing



Schematic figure for illustrating the item dimensions. The figure is not of the desired product. For further details, refer to the product drawings in the "Downloads" tab.

# BC 53,6 OT U22 BK 9005 - Upper part of housing



2202193

<https://www.phoenixcontact.com/us/products/2202193>

## Approvals

To download certificates, visit the product detail page: <https://www.phoenixcontact.com/us/products/2202193>



**EAC**

Approval ID: B.01687



**UL Recognized**

Approval ID: FILE E 240868

# BC 53,6 OT U22 BK 9005 - Upper part of housing



2202193

<https://www.phoenixcontact.com/us/products/2202193>

## Classifications

### ECLASS

ECLASS-11.0	27182702
ECLASS-13.0	27190603

### ETIM

ETIM 8.0	EC001031
----------	----------

### UNSPSC

UNSPSC 21.0	31261500
-------------	----------

# BC 53,6 OT U22 BK 9005 - Upper part of housing



2202193

<https://www.phoenixcontact.com/us/products/2202193>

## Environmental product compliance

China RoHS	Environmentally friendly use period: unlimited = EFUP-e
	No hazardous substances above threshold values

2202193

<https://www.phoenixcontact.com/us/products/2202193>

## Mandatory accessories

### MKDSN 1,5/ 2 HT BK - PCB terminal block

1985849

<https://www.phoenixcontact.com/us/products/1985849>



PCB terminal block, nominal current: 13.5 A, rated voltage (III/2): 320 V, nominal cross section: 1.5 mm<sup>2</sup>, number of potentials: 2, number of rows: 1, number of positions per row: 2, product range: MKDSN 1,5/..-HT, pitch: 5 mm, connection method: Screw connection with tension sleeve, screw head form: L Slotted, mounting: THR soldering, conductor/PCB connection direction: 0 °, color: black, Pin layout: Linear pinning, Solder pin [P]: 3.5 mm, number of solder pins per potential: 1, type of packaging: packed in cardboard. This article can be soldered in the reflow furnace together with SMD components.

---

### MKDSN 2,5/ 3 HT BK - PCB terminal block

1985933

<https://www.phoenixcontact.com/us/products/1985933>



PCB terminal block, nominal current: 16 A, rated voltage (III/2): 320 V, nominal cross section: 2.5 mm<sup>2</sup>, number of potentials: 3, number of rows: 1, number of positions per row: 3, product range: MKDSN 2,5/..-HT, pitch: 5 mm, connection method: Screw connection with tension sleeve, screw head form: L Slotted, mounting: THR soldering, conductor/PCB connection direction: 0 °, color: black, Pin layout: Linear pinning, Solder pin [P]: 3.5 mm, number of solder pins per potential: 1, type of packaging: packed in cardboard. This article can be soldered in the reflow furnace together with SMD components.



# BC 53,6 OT U22 BK 9005 - Upper part of housing

2202193

<https://www.phoenixcontact.com/us/products/2202193>

## MKDS 1,5/ 3 - PCB terminal block

1715035

<https://www.phoenixcontact.com/us/products/1715035>



PCB terminal block, nominal current: 17.5 A, rated voltage (III/2): 400 V, nominal cross section: 1.5 mm<sup>2</sup>, number of potentials: 3, number of rows: 1, number of positions per row: 3, product range: MKDS 1,5, pitch: 5 mm, connection method: Screw connection with tension sleeve, screw head form: L Slotted, mounting: Wave soldering, conductor/PCB connection direction: 0 °, color: green, Pin layout: Linear pinning, Solder pin [P]: 3.5 mm, number of solder pins per potential: 1, type of packaging: packed in cardboard. The article can be aligned to create different nos. of positions!

---

## MKDSN 2,5/ 3 - PCB terminal block

1890976

<https://www.phoenixcontact.com/us/products/1890976>



PCB terminal block, nominal current: 24 A, rated voltage (III/2): 400 V, nominal cross section: 2.5 mm<sup>2</sup>, number of potentials: 3, number of rows: 1, number of positions per row: 3, product range: MKDSN 2,5, pitch: 5 mm, connection method: Screw connection with tension sleeve, screw head form: H1L Slotted Phillips recess, mounting: Wave soldering, conductor/PCB connection direction: 0 °, color: green, Pin layout: Linear pinning, Solder pin [P]: 3.5 mm, number of solder pins per potential: 1, type of packaging: packed in cardboard. The article can be aligned to create different nos. of positions!

# BC 53,6 OT U22 BK 9005 - Upper part of housing

2202193

<https://www.phoenixcontact.com/us/products/2202193>

## MKKDSH 3/ 3 - PCB terminal block

1721346

<https://www.phoenixcontact.com/us/products/1721346>



PCB terminal block, nominal current: 24 A, rated voltage (III/2): 400 V, nominal cross section: 2.5 mm<sup>2</sup>, number of potentials: 3, number of rows: 1, number of positions per row: 3, product range: MKKDSH 3, pitch: 5 mm, connection method: Screw connection with tension sleeve, screw head form: L Slotted, mounting: Wave soldering, conductor/PCB connection direction: 0 °, color: green, Pin layout: Linear pinning, Solder pin [P]: 5 mm, number of solder pins per potential: 1, type of packaging: packed in cardboard. The article can be aligned to create different nos. of positions!

---

## GMKDS 1,5/ 3 - PCB terminal block

1717033

<https://www.phoenixcontact.com/us/products/1717033>



PCB terminal block, nominal current: 17.5 A, rated voltage (III/2): 630 V, nominal cross section: 1.5 mm<sup>2</sup>, number of potentials: 3, number of rows: 1, number of positions per row: 3, product range: GMKDS 1,5, pitch: 7.5 mm, connection method: Screw connection with tension sleeve, screw head form: L Slotted, mounting: Wave soldering, conductor/PCB connection direction: 0 °, color: green, Pin layout: Linear pinning, Solder pin [P]: 3.5 mm, number of solder pins per potential: 1, type of packaging: packed in cardboard. The article can be aligned to create different nos. of positions!

# BC 53,6 OT U22 BK 9005 - Upper part of housing

2202193

<https://www.phoenixcontact.com/us/products/2202193>

## GMKDSP 3/ 3 - PCB terminal block

1732034

<https://www.phoenixcontact.com/us/products/1732034>



PCB terminal block, nominal current: 24 A, rated voltage (III/2): 630 V, nominal cross section: 2.5 mm<sup>2</sup>, number of potentials: 3, number of rows: 1, number of positions per row: 3, product range: GMKDSP 3, pitch: 7.5 mm, connection method: Screw connection with tension sleeve, screw head form: L Slotted, mounting: Wave soldering, conductor/PCB connection direction: 0 °, color: green, Pin layout: Linear pinning, Solder pin [P]: 5 mm, number of solder pins per potential: 1, type of packaging: packed in cardboard. The article can be aligned to create different nos. of positions!

---

## SPTA 1/12-3,5 - PCB terminal block

1752201

<https://www.phoenixcontact.com/us/products/1752201>



PCB terminal block, nominal current: 9 A, rated voltage (III/2): 200 V, nominal cross section: 1 mm<sup>2</sup>, number of potentials: 12, number of rows: 1, number of positions per row: 12, product range: SPTA 1/, pitch: 3.5 mm, connection method: Push-in spring connection, mounting: Wave soldering, conductor/PCB connection direction: 65 °, color: green, Pin layout: Linear pinning, Solder pin [P]: 3.5 mm, number of solder pins per potential: 1, type of packaging: packed in cardboard

# BC 53,6 OT U22 BK 9005 - Upper part of housing

2202193

<https://www.phoenixcontact.com/us/products/2202193>

## SPTA 1/10-5,0 - PCB terminal block

1752298

<https://www.phoenixcontact.com/us/products/1752298>



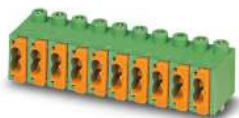
PCB terminal block, nominal current: 9 A, rated voltage (III/2): 320 V, nominal cross section: 1 mm<sup>2</sup>, number of potentials: 10, number of rows: 1, number of positions per row: 10, product range: SPTA 1/, pitch: 5 mm, connection method: Push-in spring connection, mounting: Wave soldering, conductor/PCB connection direction: 65 °, color: green, Pin layout: Linear pinning, Solder pin [P]: 3.5 mm, number of solder pins per potential: 1, type of packaging: packed in cardboard

---

## FK-MPT 0,5/13-3,5-H - PCB terminal block

1928877

<https://www.phoenixcontact.com/us/products/1928877>



PCB terminal block, nominal current: 4 A, rated voltage (III/2): 250 V, nominal cross section: 0.5 mm<sup>2</sup>, number of potentials: 13, number of rows: 1, number of positions per row: 13, product range: FK-MPT 0,5/..-H, pitch: 3.5 mm, connection method: Push-in spring connection, mounting: Wave soldering, conductor/PCB connection direction: 0 °, color: green, Pin layout: Linear pinning, Solder pin [P]: 4 mm, number of solder pins per potential: 1, type of packaging: packed in cardboard

# BC 53,6 OT U22 BK 9005 - Upper part of housing

2202193

<https://www.phoenixcontact.com/us/products/2202193>

## FK-MPT 0,5/13-ST-3,5 - PCB connector

1914043

<https://www.phoenixcontact.com/us/products/1914043>



PCB connector, nominal cross section: 0.5 mm<sup>2</sup>, color: green, nominal current: 4 A, rated voltage (III/2): 250 V, contact surface: Tin, contact connection type: Socket, number of potentials: 13, number of rows: 1, number of positions: 13, number of connections: 26, product range: FK-MPT 0,5/...-ST, pitch: 3.5 mm, connection method: Push-in spring connection, conductor/PCB connection direction: 0 °, plug-in system: COMBICON PST 1,0, locking: without, mounting: without, type of packaging: packed in cardboard

---

## PTSA 0,5/16-2,5-Z - PCB terminal block

1990148

<https://www.phoenixcontact.com/us/products/1990148>



PCB terminal block, nominal current: 2 A, rated voltage (III/2): 250 V, nominal cross section: 0.5 mm<sup>2</sup>, number of potentials: 16, number of rows: 1, number of positions per row: 16, product range: PTSA 0,5, pitch: 2.5 mm, connection method: Push-in spring connection, mounting: Wave soldering, conductor/PCB connection direction: 45 °, color: green, Pin layout: Zigzag pinning W, Solder pin [P]: 3.6 mm, number of solder pins per potential: 1, type of packaging: packed in cardboard. Offset soldering legs, two-rowed

# BC 53,6 OT U22 BK 9005 - Upper part of housing

2202193

<https://www.phoenixcontact.com/us/products/2202193>

## PTSA 0,5/16-2,5-F - PCB terminal block

1989887

<https://www.phoenixcontact.com/us/products/1989887>



PCB terminal block, nominal current: 2 A, rated voltage (III/2): 250 V, nominal cross section: 0.5 mm<sup>2</sup>, number of potentials: 16, number of rows: 1, number of positions per row: 16, product range: PTSA 0,5, pitch: 2.5 mm, connection method: Push-in spring connection, mounting: Wave soldering, conductor/PCB connection direction: 45 °, color: green, Pin layout: Linear pinning, Solder pin [P]: 3.6 mm, number of solder pins per potential: 1, type of packaging: packed in cardboard. Soldering legs in front area, one-rowed

---

## PTS 1,5/ 9-5,0-H - PCB terminal block

1792931

<https://www.phoenixcontact.com/us/products/1792931>



PCB terminal block, nominal current: 16 A, rated voltage (III/2): 400 V, nominal cross section: 1.5 mm<sup>2</sup>, number of potentials: 9, number of rows: 1, number of positions per row: 9, product range: PTS 1,5/...-H, pitch: 5 mm, connection method: Push-in spring connection, mounting: Wave soldering, conductor/PCB connection direction: 0 °, color: green, Pin layout: Linear pinning, Solder pin [P]: 2.5 mm, number of solder pins per potential: 1, type of packaging: packed in cardboard

# BC 53,6 OT U22 BK 9005 - Upper part of housing

2202193

<https://www.phoenixcontact.com/us/products/2202193>

## PT 1,5/ 9-5,0-H - PCB terminal block

1935239

<https://www.phoenixcontact.com/us/products/1935239>



PCB terminal block, nominal current: 17.5 A, rated voltage (III/2): 400 V, nominal cross section: 1.5 mm<sup>2</sup>, number of potentials: 9, number of rows: 1, number of positions per row: 9, product range: PT 1,5/..-H, pitch: 5 mm, connection method: Screw connection with wire protector, mounting: Wave soldering, conductor/PCB connection direction: 0 °, color: green, Pin layout: Linear pinning, Solder pin [P]: 3.5 mm, number of solder pins per potential: 1, type of packaging: packed in cardboard

---

## PT 1,5/ 9-PH-5,0 - PCB connector

1755651

<https://www.phoenixcontact.com/us/products/1755651>



PCB connector, nominal cross section: 1.5 mm<sup>2</sup>, color: green, nominal current: 10 A, rated voltage (III/2): 400 V, contact surface: Tin, contact connection type: Socket, number of potentials: 9, number of rows: 1, number of positions: 9, number of connections: 9, product range: PT 1,5/..-PH, pitch: 5 mm, connection method: Screw connection with tension sleeve, screw head form: H1L Slotted Phillips recess, conductor/PCB connection direction: 0 °, plug-in system: COMBICON PST 1,3, locking: without, mounting: without, type of packaging: packed in cardboard

# BC 53,6 OT U22 BK 9005 - Upper part of housing

2202193

<https://www.phoenixcontact.com/us/products/2202193>

## PST 1,3/ 9-5,0 - Pin strip

1933257

<https://www.phoenixcontact.com/us/products/1933257>



Pin strip, nominal cross section: 1.5 mm<sup>2</sup>, color: black, nominal current: 12 A (depends on the plug used), rated voltage (III/2): 320 V, contact surface: Tin, contact connection type: Pin, number of potentials: 9, number of rows: 1, number of positions: 9, number of connections: 9, product range: PST 1,3/...-V, pitch: 5 mm, mounting: THR soldering, pin layout: Linear pinning, solder pin [P]: 3.5 mm, plug-in system: COMBICON PST 1,3, locking: without, mounting: without, type of packaging: packed in cardboard, The maximum current depends on the plug used. The lower of the two current values apply for plug and pin strip. The pin strip is made of highly temperature resistant plastic and is thus suitable for the reflow process.

## MKKDS 1,5/ 3 - PCB terminal block

1725025

<https://www.phoenixcontact.com/us/products/1725025>



PCB terminal block, nominal current: 17.5 A, rated voltage (III/2): 400 V, nominal cross section: 1.5 mm<sup>2</sup>, number of potentials: 6, number of rows: 2, number of positions per row: 3, product range: MKKDS 1,5, pitch: 5 mm, connection method: Screw connection with tension sleeve, screw head form: L Slotted, mounting: Wave soldering, conductor/PCB connection direction: 0 °, color: green, Pin layout: Linear pinning, Solder pin [P]: 3.5 mm, number of solder pins per potential: 1, type of packaging: packed in cardboard. The article can be aligned to create different nos. of positions!



# BC 53,6 OT U22 BK 9005 - Upper part of housing

2202193

<https://www.phoenixcontact.com/us/products/2202193>

## MKKDSG 3/ 3 - PCB terminal block

1721087

<https://www.phoenixcontact.com/us/products/1721087>



PCB terminal block, nominal current: 17.5 A, rated voltage (III/2): 400 V, nominal cross section: 2.5 mm<sup>2</sup>, number of potentials: 6, number of rows: 2, number of positions per row: 3, product range: MKKDSG 3, pitch: 5 mm, connection method: Screw connection with tension sleeve, screw head form: L Slotted, mounting: Wave soldering, conductor/PCB connection direction: 0 °, color: green, Pin layout: Linear pinning, Solder pin [P]: 5 mm, number of solder pins per potential: 1, type of packaging: packed in cardboard. The article can be aligned to create different nos. of positions!

---

## ZFKDS 1,5C-5,0 - PCB terminal block

1889259

<https://www.phoenixcontact.com/us/products/1889259>



PCB terminal block, nominal current: 16 A, rated voltage (III/2): 400 V, nominal cross section: 1.5 mm<sup>2</sup>, number of potentials: 1, number of rows: 1, number of positions per row: 1, product range: ZFKDS(A) 1,5C, pitch: 5 mm, connection method: Spring-cage connection, mounting: Wave soldering, conductor/PCB connection direction: 45 °, color: green, Pin layout: Linear pinning, Solder pin [P]: 3.5 mm, number of solder pins per potential: 2, type of packaging: packed in cardboard. Single module for the custom grouping of different numbers of positions. An end terminal block is also needed to terminate the block (see accessories). Blocked items with different numbers of positions are also available.

# BC 53,6 OT U22 BK 9005 - Upper part of housing

2202193

<https://www.phoenixcontact.com/us/products/2202193>

## PTDA 1,5/13-PH-3,5 - PCB connector

1725250

<https://www.phoenixcontact.com/us/products/1725250>



PCB connector, nominal cross section: 1.5 mm<sup>2</sup>, color: green, nominal current: 8 A, rated voltage (III/2): 240 V, contact surface: Tin, contact connection type: Socket, number of potentials: 13, number of rows: 1, number of positions: 13, number of connections: 26, product range: PTDA 1,5/...-PH, pitch: 3.5 mm, connection method: Push-in spring connection, conductor/PCB connection direction: 45 °, pin layout: Linear double pinning, plug-in system: COMBICON PST 1,0, locking: without, mounting: without, type of packaging: packed in cardboard

---

## PTDA 2,5/ 9-PH-5,0 - PCB connector

1725649

<https://www.phoenixcontact.com/us/products/1725649>



PCB connector, nominal cross section: 2.5 mm<sup>2</sup>, color: green, nominal current: 14 A, rated voltage (III/2): 400 V, contact surface: Tin, contact connection type: Socket, number of potentials: 9, number of rows: 1, number of positions: 9, number of connections: 18, product range: PTDA 2,5/...-PH, pitch: 5 mm, connection method: Push-in spring connection, conductor/PCB connection direction: 45 °, plug-in system: COMBICON PST 1,3, locking: without, mounting: without, type of packaging: packed in cardboard

## BC 53,6 OT U22 BK 9005 - Upper part of housing

2202193

<https://www.phoenixcontact.com/us/products/2202193>



### PST 1,3/ 8-LV-5,0 - Pin strip

1704547

<https://www.phoenixcontact.com/us/products/1704547>

Pin strip, color: black, contact surface: Tin, number of positions: 8, product range: PST 1,3/..-LV, pitch: 5 mm, pin layout: Linear pinning, solder pin [P]: 3.5 mm, type of packaging: packed in cardboard, Specifically for PT 2,5/..-PVH



---

### BC 53,6 DKL S TRANS - Housing cover

2896445

<https://www.phoenixcontact.com/us/products/2896445>

DIN rail housing for use in distribution boards in accordance with DIN 43880, transparent hinged cover, can be sealed, Including insertion plate, width: 53.6 mm, height: 45 mm, depth: 8 mm, color: transparent/light gray (7035)



# BC 53,6 OT U22 BK 9005 - Upper part of housing

2202193

<https://www.phoenixcontact.com/us/products/2202193>

## BC 53,6 DKL R KMGY - Housing cover

2896432

<https://www.phoenixcontact.com/us/products/2896432>



DIN rail housing for use in distribution boards in accordance with DIN 43880, Latching cover (non-detachable), width: 53.6 mm, height: 45 mm, depth: 8 mm, color: light grey (7035)

---

## SPTD 1,5/ 8-H-3,5 - PCB terminal block

1841555

<https://www.phoenixcontact.com/us/products/1841555>



PCB terminal block, nominal current: 10 A, rated voltage (III/2): 200 V, nominal cross section: 1.5 mm<sup>2</sup>, number of potentials: 16, number of rows: 2, number of positions per row: 8, product range: SPTD 1,5, pitch: 3.5 mm, connection method: Push-in spring connection, mounting: Wave soldering, conductor/PCB connection direction: 0 °, color: green, Pin layout: Linear pinning, Solder pin [P]: 3.5 mm, number of solder pins per potential: 1, type of packaging: packed in cardboard

# BC 53,6 OT U22 BK 9005 - Upper part of housing

2202193

<https://www.phoenixcontact.com/us/products/2202193>

## SPT-THR 1,5/12-V-3,5 P20 R72 - PCB terminal block

1823298

<https://www.phoenixcontact.com/us/products/1823298>



PCB terminal block, nominal current: 17.5 A, rated voltage (III/2): 160 V, nominal cross section: 1.5 mm<sup>2</sup>, number of potentials: 12, number of rows: 1, number of positions per row: 12, product range: SPT 1,5/..-V-THR, pitch: 3.5 mm, connection method: Push-in spring connection, mounting: THR soldering, conductor/PCB connection direction: 90 °, color: black, Pin layout: Linear pinning, Solder pin [P]: 2 mm, number of solder pins per potential: 2, type of packaging: 72 mm wide tape

---

## SPT-THR 1,5/ 9-V-5,0 P20 R88 - PCB terminal block

1823489

<https://www.phoenixcontact.com/us/products/1823489>



PCB terminal block, nominal current: 17.5 A, rated voltage (III/2): 320 V, nominal cross section: 1.5 mm<sup>2</sup>, number of potentials: 9, number of rows: 1, number of positions per row: 9, product range: SPT 1,5/..-V-THR, pitch: 5 mm, connection method: Push-in spring connection, mounting: THR soldering, conductor/PCB connection direction: 90 °, color: black, Pin layout: Linear pinning, Solder pin [P]: 2 mm, number of solder pins per potential: 2, type of packaging: 88 mm wide tape

# BC 53,6 OT U22 BK 9005 - Upper part of housing

2202193

<https://www.phoenixcontact.com/us/products/2202193>

## SPTA-THR 1,5/ 9-5,08 R72 - PCB terminal block

1071209

<https://www.phoenixcontact.com/us/products/1071209>



PCB terminal block, nominal current: 17.5 A, rated voltage (III/2): 320 V, nominal cross section: 1.5 mm<sup>2</sup>, number of rows: 1, number of positions per row: 9, product range: SPTA 1,5/..-THR, pitch: 5.08 mm, connection method: Push-in spring connection, mounting: THR soldering, conductor/PCB connection direction: 45 °, color: black, Pin layout: Linear pinning, Solder pin [P]: 2.6 mm, number of solder pins per potential: 1, type of packaging: 72 mm wide tape

---

## CUC-SP-J1ST-S/R4LT-SMD - RJ45 PCB connectors

1149611

<https://www.phoenixcontact.com/us/products/1149611>



RJ45 PCB connectors, design: RJ45, degree of protection: IP20, number of positions: 8, 10 Gbps, material: Metal, connection method: SMD reflow

# BC 53,6 OT U22 BK 9005 - Upper part of housing



2202193

<https://www.phoenixcontact.com/us/products/2202193>

## CUC-SP-J1ST-AR4LT-LED - RJ45 PCB connectors

1149867

<https://www.phoenixcontact.com/us/products/1149867>



RJ45 PCB connectors, design: RJ45, degree of protection: IP20, number of positions: 8, 10 Gbps, material: Metal, connection method: THT wave

---

## CUC-MP-J1ST-A/2R4LT - RJ45 PCB connectors

1149858

<https://www.phoenixcontact.com/us/products/1149858>



RJ45 PCB connectors, degree of protection: IP20, number of positions: 8, 10 Gbps, material: Metal, connection method: THT wave

---

## Accessories

# BC 53,6 OT U22 BK 9005 - Upper part of housing

2202193

<https://www.phoenixcontact.com/us/products/2202193>

## HS LC-V-D3/ R2XC1-5,08 - Fiber optic

2202311

<https://www.phoenixcontact.com/us/products/2202311>



Multiple light guides, passive, rigid, can be used for the BC housing range (housing must be processed)

---

## HS LC-V-D3/ R3XC1-5,08 - Fiber optic

2202312

<https://www.phoenixcontact.com/us/products/2202312>



Multiple light guides, passive, rigid, can be used for the BC housing range (housing must be processed)



# BC 53,6 OT U22 BK 9005 - Upper part of housing

2202193

<https://www.phoenixcontact.com/us/products/2202193>



## BC 53,6 BS U22 KMGY - Filler plugs

2896238

<https://www.phoenixcontact.com/us/products/2896238>



DIN rail housing for use in distribution boards in accordance with DIN 43880, Filler plug for unoccupied terminal points (U22), width: 53.6 mm, height: 29.78 mm, depth: 22.35 mm, color: light grey (7035)

---

Phoenix Contact 2023 © - all rights reserved

<https://www.phoenixcontact.com>

Phoenix Contact USA  
586 Fulling Mill Road  
Middletown, PA 17057, United States  
(+717) 944-1300  
[info@phoenixcon.com](mailto:info@phoenixcon.com)