

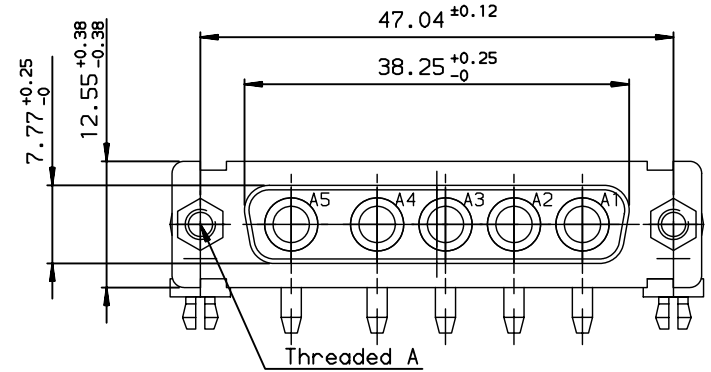
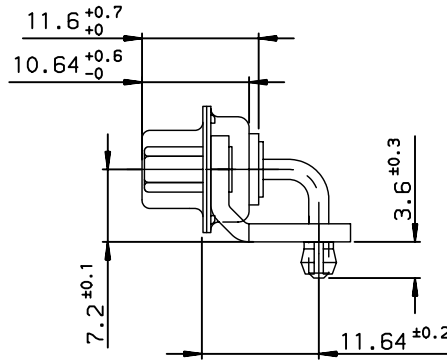
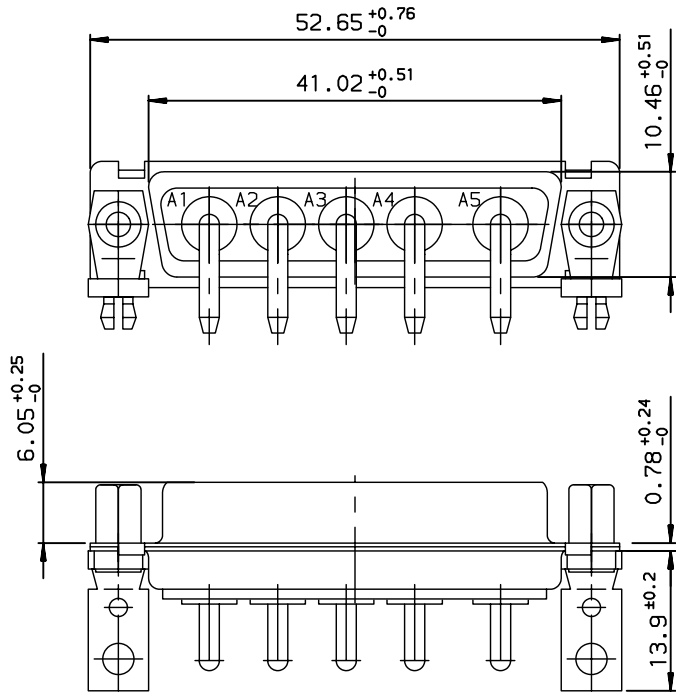
1

2

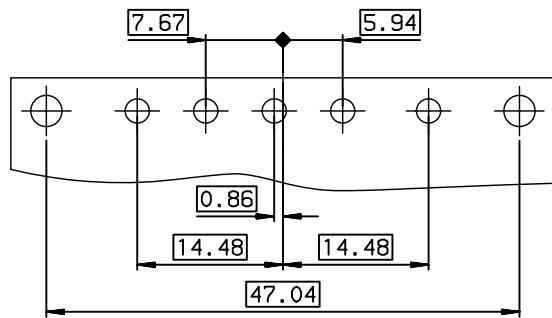
3

4

GENERAL CHARACTERISTICS : SEE DRAWING C01-8639-0001



LAYOUT DIMENSIONS (after plating)
CONNECTOR SIDE VIEW



European Views

www.fciconnect.com		surface ISO 1302 ✓	tolerance std ISO 406 ISO 1101	projection mm
TOLERANCES UNLESS OTHERWISE SPECIFIED				
Dr	JARRY	2003/10/01	ANGULAR	0.X ±0.1
Eng	JARRY	2003/10/01	LINEAR	0.XX ±0.1
Chr	LEGARE	2003/10/01	0.XX' ±2'	0.XXX ±0.1
Appr	LEGARE	2003/10/01	Product family	SUB
			size	A3
			Scale	2
			ECN	LS07-0302
			Spec ref	-
			title	SOCKET CONNECTOR 5W5 WITH POWERS CONTACTS
			dwg no	C01-8639-1843
			Rev.	C
			CUSTOMER	sheet 1 of 1

rev	ecn no	dr	date
B	-	CJA	2003/10/01
C	LS07-0302	MPE	2007/11/29
-	-	-	-
-	-	-	-
-	-	-	-
-	-	-	-

REV F - 2006-04-17

1

2

3

4