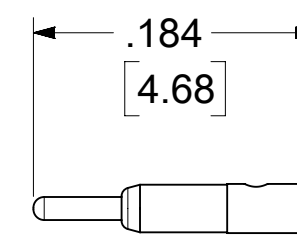
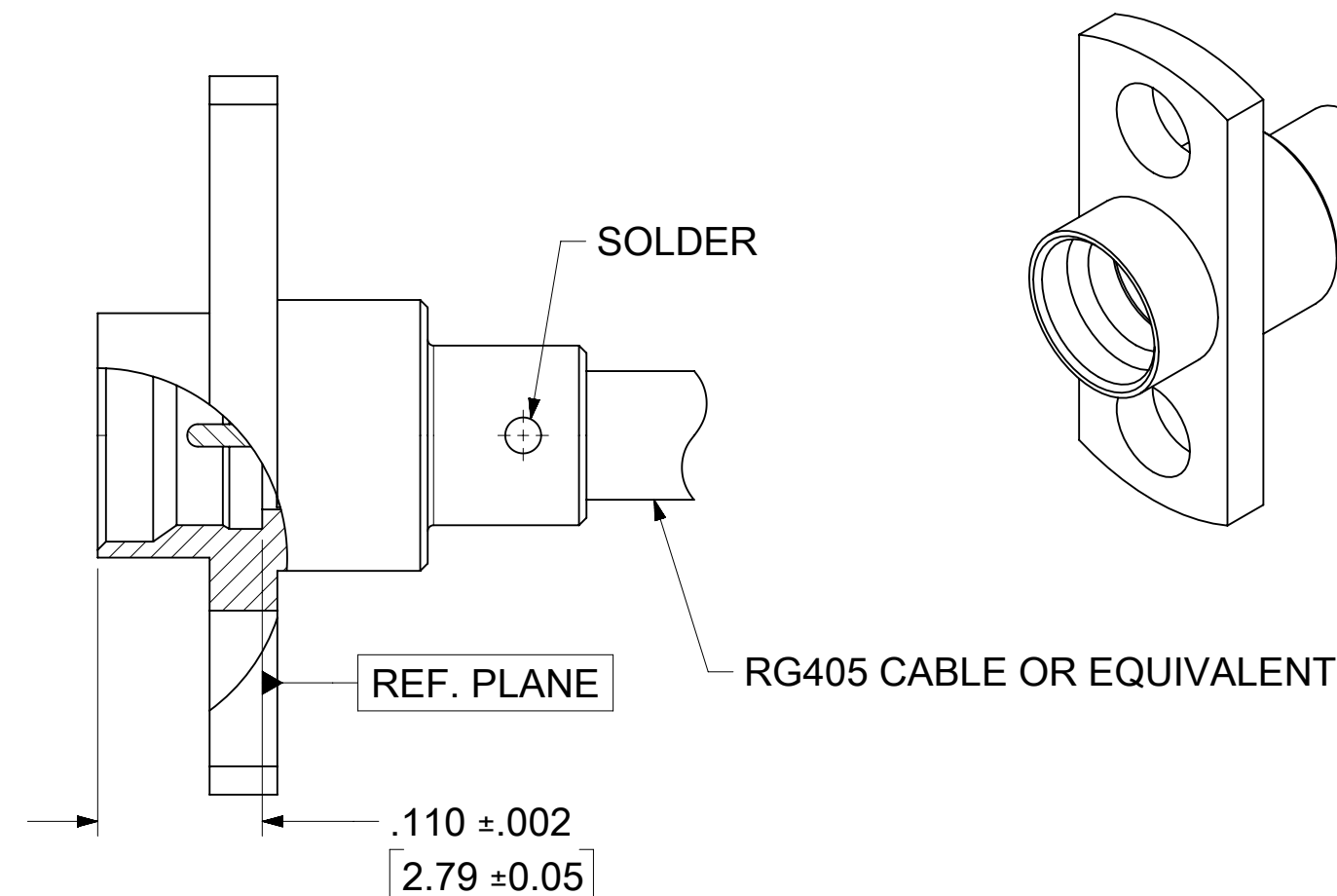
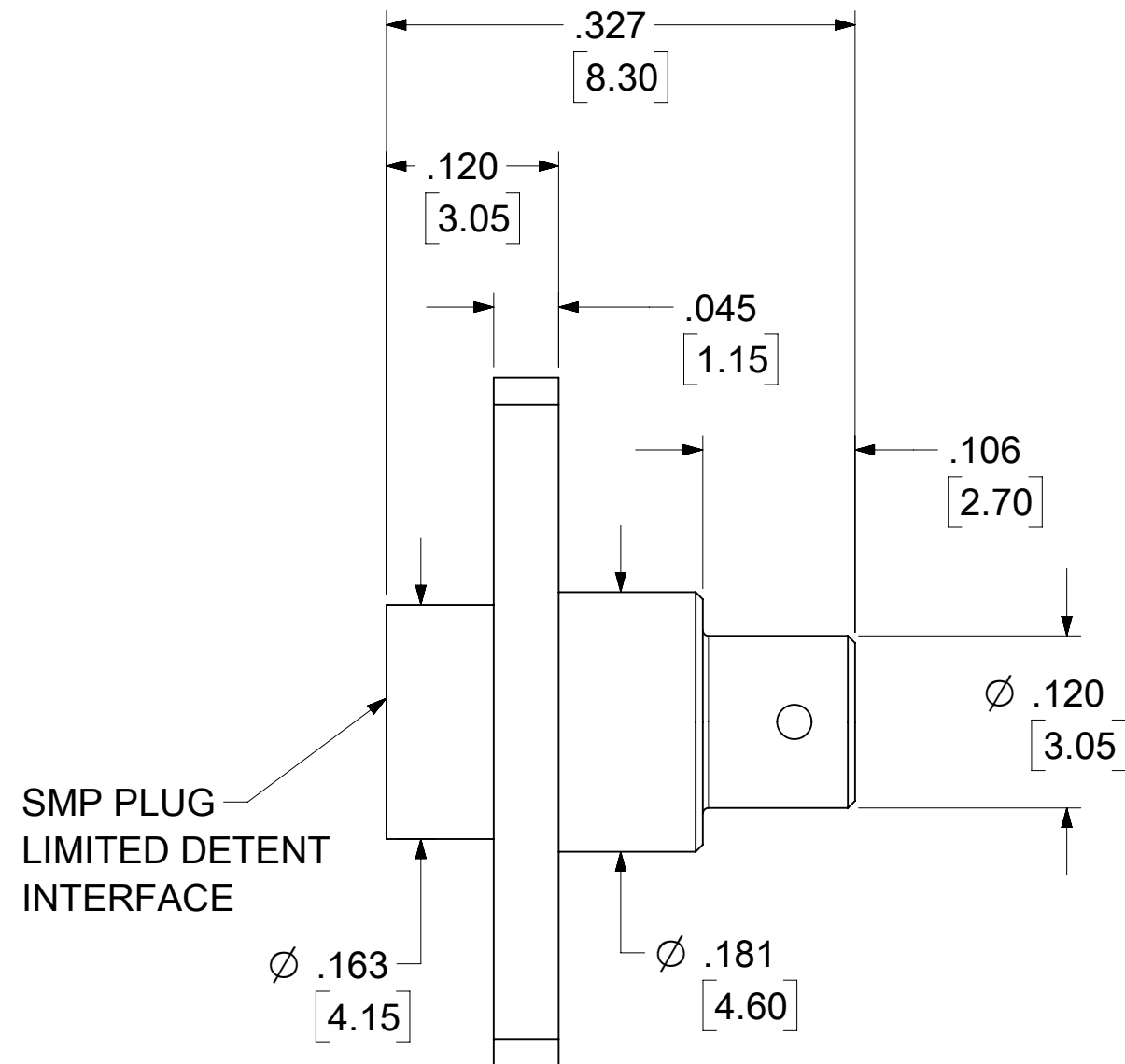
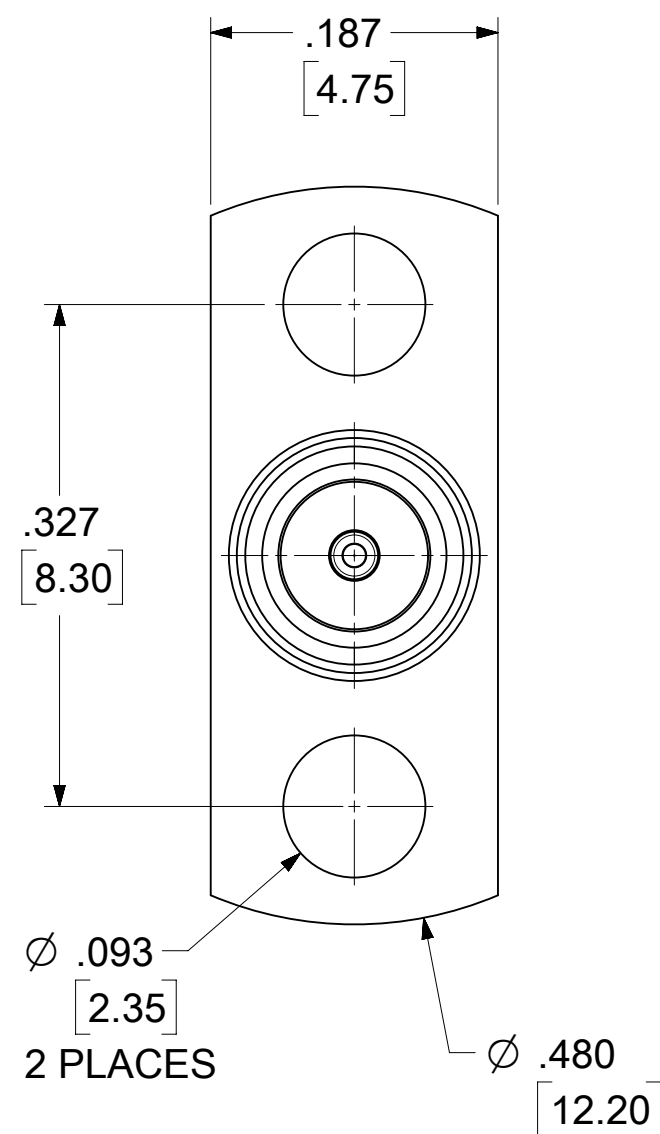


MATERIALS AND FINISHES:

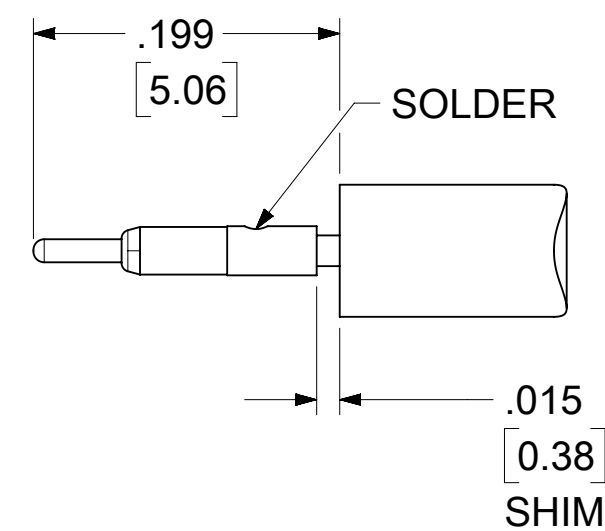
BODY: SEE TABLE
PLATED GOLD

CENTER CONTACT: BRASS
PLATED GOLD

INSULATOR: TEFLON



CONTACT



RECOMMENDED STRIP DIMENSIONS

SMP PLUG
LIMITED DETENT
INTERFACE

73406-6213	BRASS	ONE PER BAG	895420470
73406-6212	STAINLESS STEEL	ONE PER BAG	895420470
73406-6211	BRASS	TRAY	895420063
73406-6210	STAINLESS STEEL	TRAY	895420063
PART NO.	BODY MATERIAL	PACKAGING	PACKING SPEC

LABEL WITH EACH BAG
FOR 73406-6212 & -6213

MOLEX P/N: 73406-6212
DATE: YYWW

MOLEX P/N: 73406-6213
DATE: YYWW

MIL-STD-348A, FIG. 326.3	INTERFACE
SPECIFICATION	DESCRIPTION

FUNCTIONAL SYMBOLS	THIS DRAWING CONTAINS INFORMATION THAT IS PROPRIETARY TO MOLEX ELECTRONIC TECHNOLOGIES, LLC AND SHOULD NOT BE USED WITHOUT WRITTEN PERMISSION													
	FA = 0	DIMENSION UNITS	SCALE	CURRENT REV DESC: ADD 73406-6212, -6213 FOR SMALL PACK PER EWR15321-D							molex			
FC = 0	IN/MM	NTS	GENERAL TOLERANCES (UNLESS SPECIFIED)			EC NO: 718352				SMP PLUG LD RG405 2 HOLE FLANGE 50 OHMS SMP-PC, EWR-4244				
FP = 0	ANGULAR TOL ± 2.0°		4 PLACES ±			DRWN: CWEI02 2022/08/16								
DIVISIONAL SYMBOLS	3 PLACES ±			CHK'D: YCHENG 2022/08/23			PRODUCT CUSTOMER DRAWING							
	2 PLACES ±			APPR: YCHENG 2022/08/23			DOCUMENT NUMBER							
	1 PLACE ±			INITIAL REVISION:			SD-73406-621							
	0 PLACES ±			DRWN: JYL 2009/11/06			DOC TYPE DOC PART REVISION							
DRAFT WHERE APPLICABLE MUST REMAIN WITHIN DIMENSIONS			THIRD ANGLE PROJECTION		DRAWING		SERIES		MATERIAL NUMBER		CUSTOMER		SHEET NUMBER	
			C-SIZE		73406		SEE TABLE		GENERAL MARKET		1 OF 1			