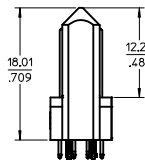
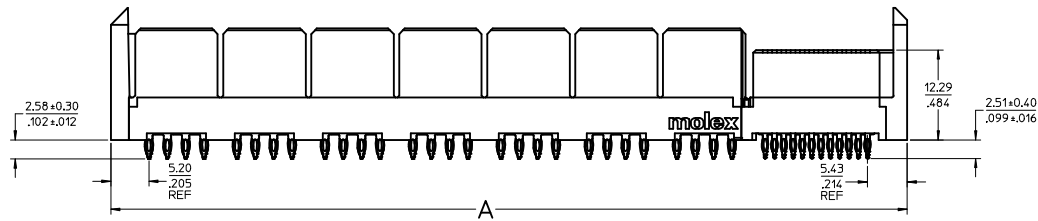
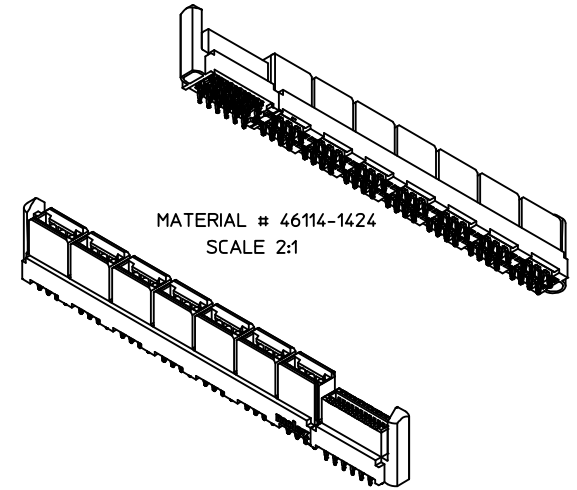
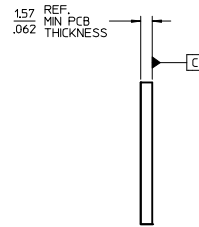
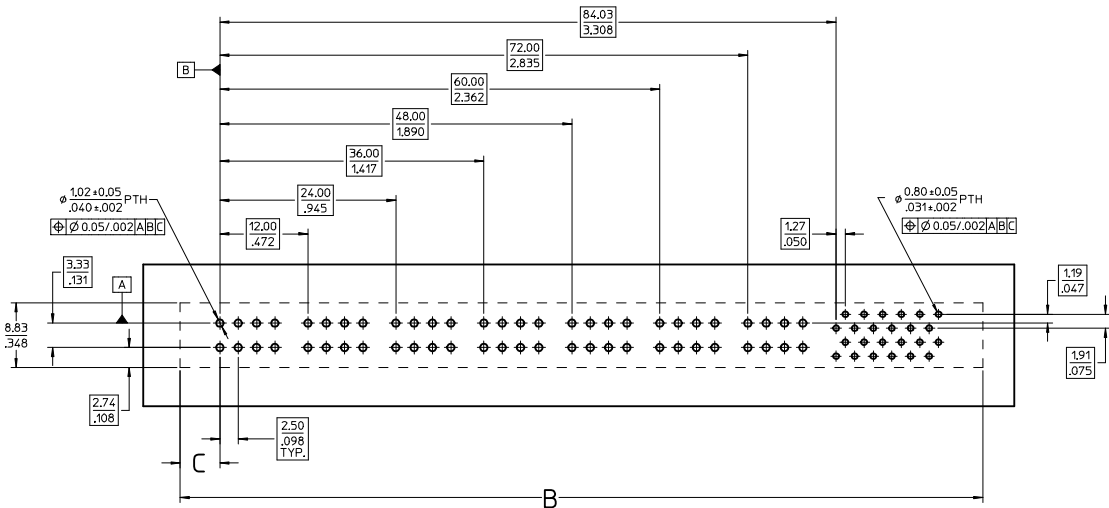


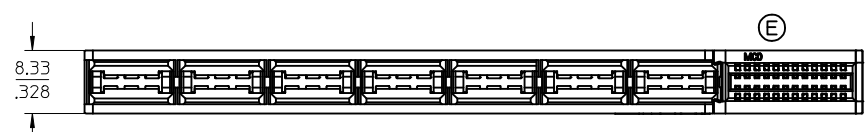
NO OF SIGNALS	MATERIAL NUMBER	COMPLIANT PIN PLATING	DM A	DM B	DM C
12	46114-1412	TIN	101.01/3.977	101.51/3.996	5.45/215
16	46114-1416	TIN	103.55/4.077	104.05/4.096	
20	46114-1420	TIN	106.09/4.177	106.59/4.196	
24	46114-1424	TIN	108.63/4.277	109.13/4.296	
28	46114-1428	TIN	111.17/4.377	111.67/4.396	
32	46114-1432	TIN	113.71/4.477	114.21/4.496	
36	46114-1436	TIN	116.25/4.577	116.75/4.596	
40	46114-1440	TIN	118.79/4.677	119.29/4.696	



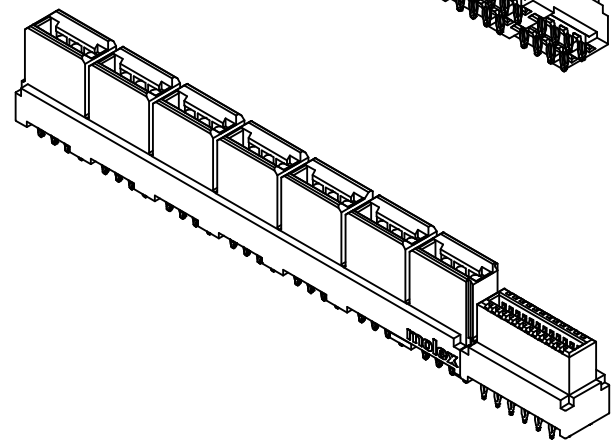
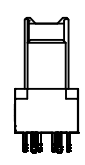
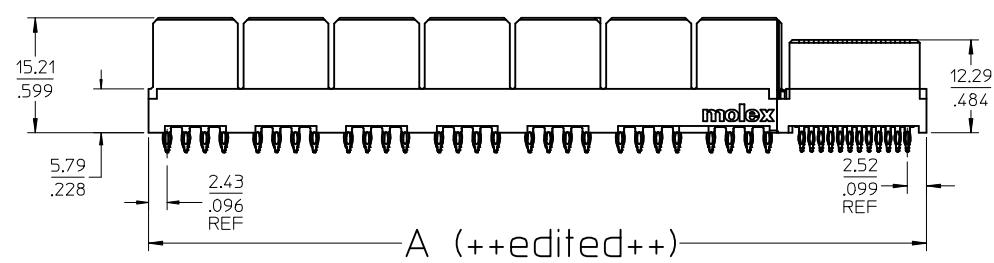
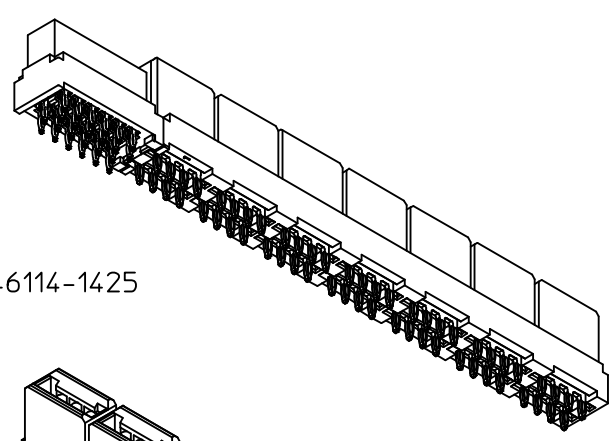
- NOTES:
- MATERIAL: HOUSING: LCP, 94-VO, COLOR: BLACK. POWER CONTACTS: COPPER ALLOY. SIGNAL CONTACTS: MODIFIED TIN BRASS.
  - FINISH: SELECT GOLD - 0.75  $\mu$ M/30  $\mu$  INCHES. SELECTED TIN - 2.50  $\mu$ M/100  $\mu$  INCHES. BOTH OVER NICKEL - 1.25  $\mu$ M/50  $\mu$  INCHES. POWER TERMINALS ARE LUBRICATED IN CONTACT AREA.
  - PARTS ARE RoHS COMPLIANT.
  - MATES TO MOLEX P/N 45985-SERIES OR EDGE CARD 1571.062.
  - PRODUCT SPECIFICATION PS-46114-001.
  - PACKAGING: PER PK-46114-003.



UPDATE LOGO EC NO: S2016-1044 DRAWN: IN06 CHKD: JZNG APPR: KHLIM	QUALITY SYMBOLS	GENERAL TOLERANCES (UNLESS SPECIFIED)		DIMENSION STYLE		SCALE 2:1	DESIGN UNITS METRIC	THIRD ANGLE PROJECTION
		mm	INCH	MM/IN	DATE			
REV DESCRIPTION	4 PLACES	± .010	± .010	DATE	2007/07/18	TITLE LPH VERTICAL RECEPTACLE COMPLIANT PIN ASSEMBLY 14CKT PWR CON, PRESS FIT	MOLEX INCORPORATED	SHEET NO. 1 OF 3
	3 PLACES	± .025	± .025	DATE	2007/07/20			
	2 PLACES	± .050	± .050	DATE	2009/12/03			
	1 PLACE	± .100	± .100	DATE	2009/12/03			
	ANGULAR ±1/2°		DRAFT WHERE APPLICABLE MUST REMAIN WITHIN DIMENSIONS		MATERIAL NO. SEE CHART			



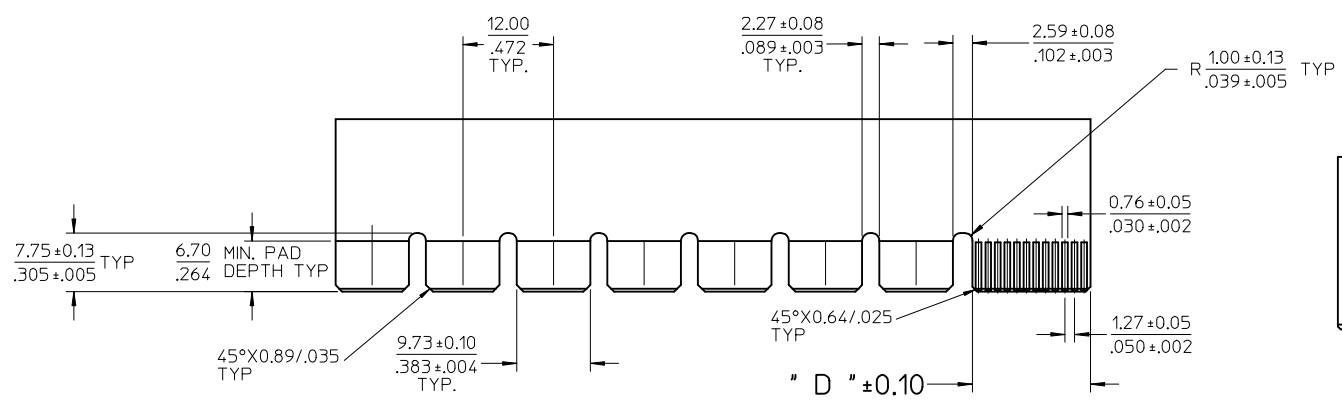
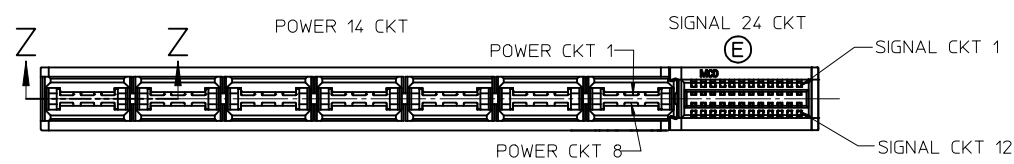
MATERIAL # 46114-1425  
SHOWN



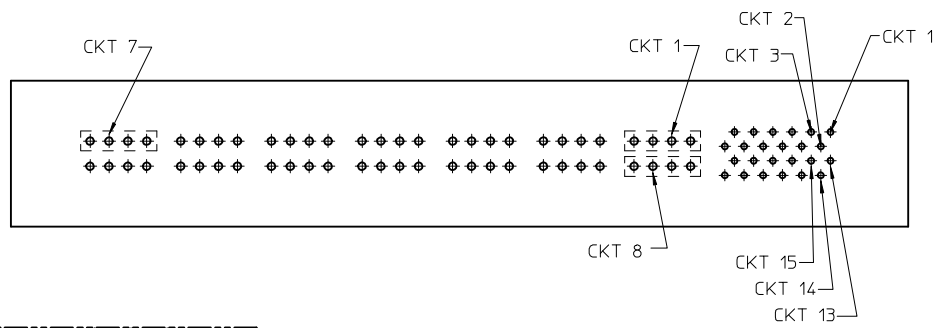
NO OF SIGNALS	MATERIAL NUMBER	COMPLIANT PIN PLATING	DIM A	DIM B	DIM C
12	46114-1413	TIN	95.34/3.754	95.84/3.773	2.69/1.06
16	46114-1417	TIN	97.88/3.854	98.38/3.873	
20	46114-1421	TIN	100.42/3.954	100.92/3.973	
24	46114-1425	TIN	102.96/4.054	103.46/4.073	
28	46114-1429	TIN	105.50/4.154	106.00/4.173	
32	46114-1433	TIN	108.04/4.254	108.54/4.273	
36	46114-1437	TIN	110.58/4.354	111.04/4.373	
40	46114-1441	TIN	113.12/4.454	113.62/4.473	

<b>UPDATE LOGO</b> EC NO: S2016-1044 DRW: NALIN06 2016/05/18 CHKD: JZENG 2016/06/03 APPR: KHLIM 2016/06/10	QUALITY SYMBOLS DESCRIPTION	GENERAL TOLERANCES (UNLESS SPECIFIED)		DIMENSION STYLE MM/IN	SCALE 2:1	DESIGN UNITS METRIC	THIRD ANGLE PROJECTION
		4 PLACES ± --- ± --- 3 PLACES ± --- ± .010 2 PLACES ± 0.25 ± --- 1 PLACE ± --- ± ---	mm INCH	DRAWN BY MKARADIMAS	DATE 2007/07/18	TITLE LPH VERTICAL RECEPTACLE COMPLIANT PIN ASSEMBLY 14CKT PWR CON, PRESS FIT	
		ANGULAR ±1/2°		CHECKED BY APATEL	DATE 2007/07/20	MOLEX INCORPORATED	
		DRAFT WHERE APPLICABLE MUST REMAIN WITHIN DIMENSIONS		APPROVED BY JCOMERC I	DATE 2009/12/03	SEE CHART SD-46114-140	
		MATERIAL NO.		DOCUMENT NO.		SHEET NO. 2 OF 3	

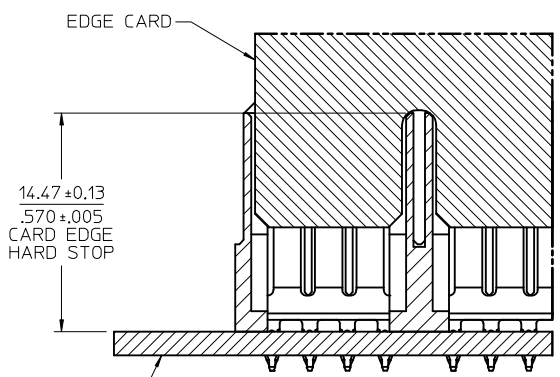
NO OF SIGNAL	DIM. D
12	8.00/.315
16	10.54/.415
20	13.08/.515
24	15.62/.615
28	18.16/.715
32	20.70/.815
36	23.24/.915
40	25.78/1.015



RECOMMENDED EDGE CARD LAYOUT  
EDGE CARD THICKNESS: 1.57/.062 ± 0.15/.006  
PLATING: GOLD 30 μ INCHES MIN.  
OVER 150 μ INCHES NICKEL.

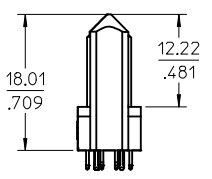
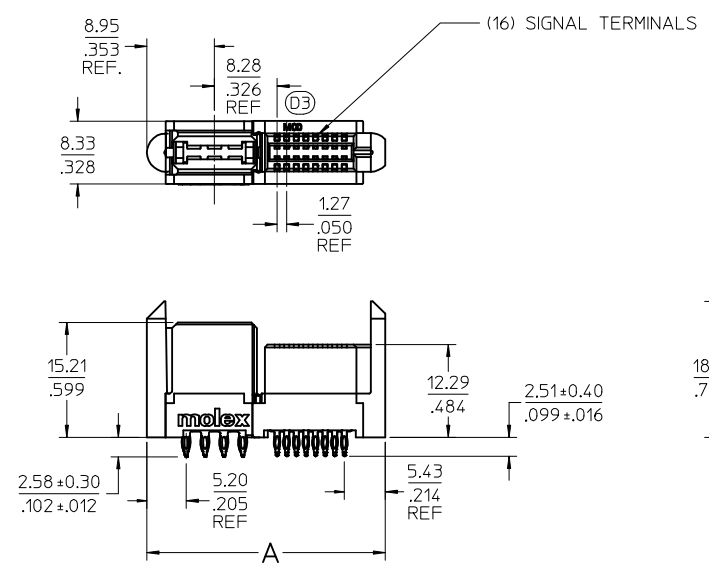


PCB LAYOUT: COMPONENT SIDE  
SEE SHT 1 FOR DIMENSIONS



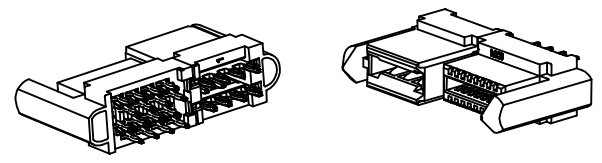
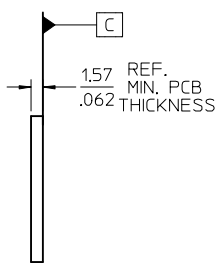
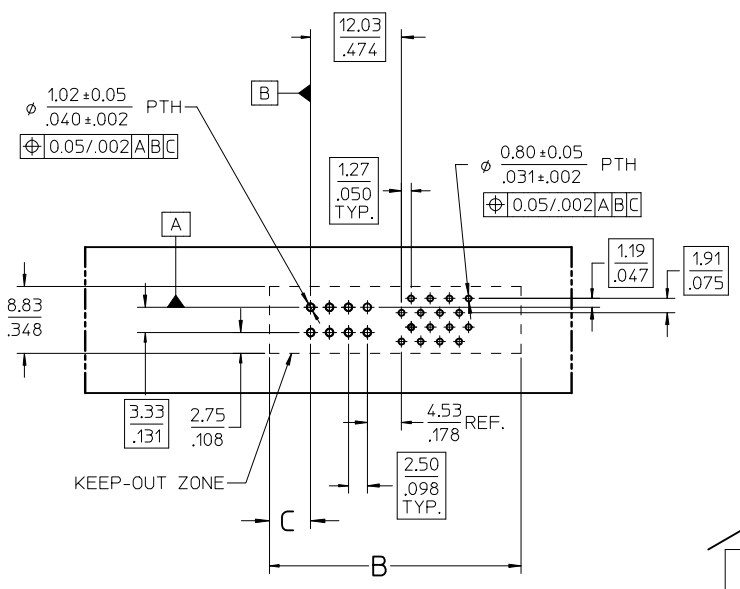
SECTION Z-Z  
SCALE 4:1

<b>UPDATE LOGO</b> EC NO: S2016-1044 2016/05/18 DRWNLIN06 2016/06/03 CHKD:JZENG APPR:KHLIM 2016/06/10	QUALITY SYMBOLS DESCRIPTION REV	GENERAL TOLERANCES (UNLESS SPECIFIED)		DIMENSION STYLE <b>MM/IN</b>	SCALE <b>2:1</b>	DESIGN UNITS <b>METRIC</b>	THIRD ANGLE PROJECTION		
		4 PLACES ± --- ± --- 3 PLACES ± --- ± .010 2 PLACES ± 0.25 ± --- 1 PLACE ± --- ± ---	mm INCH ± --- ± --- ± .010 ± --- ± 0.25 ± --- ± --- ± ---	DRAWN BY MKARADIMAS	DATE 2007/07/18	TITLE <b>LPH VERTICAL RECEPTACLE          COMPLIANT PIN ASSEMBLY          14CKT PWR CON, PRESS FIT</b>			
		ANGULAR ±1/2°		CHECKED BY APATEL	DATE 2007/07/20	APPROVED BY JCOMERC I	DATE 2009/12/03	MATERIAL NO. <b>SEE CHART</b>	DOCUMENT NO. <b>SD-46114-140</b>
		DRAFT WHERE APPLICABLE MUST REMAIN WITHIN DIMENSIONS		SIZE <b>C</b>	THIS DRAWING CONTAINS INFORMATION THAT IS PROPRIETARY TO MOLEX INCORPORATED AND SHOULD NOT BE USED WITHOUT WRITTEN PERMISSION				



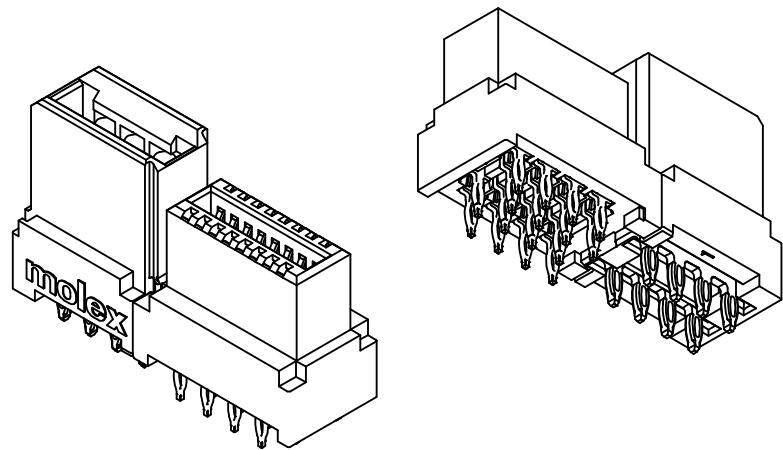
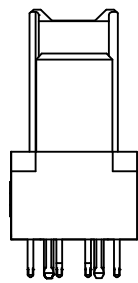
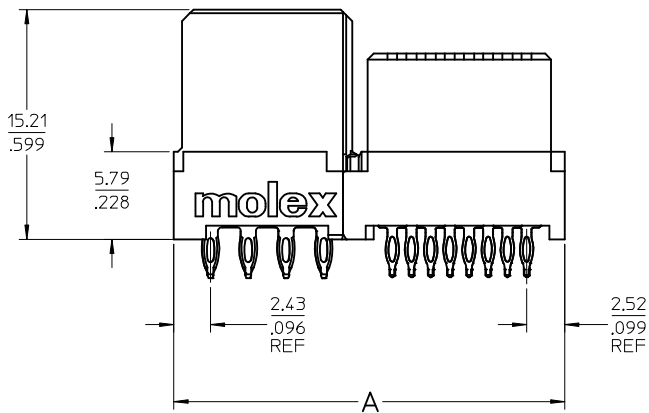
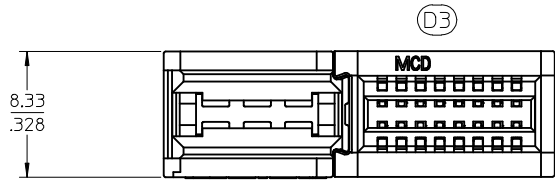
NO OF SIGNALS	MATERIAL NUMBER	COMPLIANT PIN PLATING	DIM A	DIM B	DIM C
12	46114-2120	TIN	29.01/1.142	29.51/1.162	5.45/.215
16	46114-2160	TIN	31.55/1.242	32.05/1.262	
20	46114-2200	TIN	34.09/1.342	34.59/1.362	
24	46114-2240	TIN	36.63/1.442	37.13/1.462	
28	46114-2280	TIN	39.17/1.542	39.67/1.562	
32	46114-2320	TIN	41.71/1.642	42.21/1.662	
36	46114-2360	TIN	44.25/1.742	44.75/1.762	
40	46114-2400	TIN	46.79/1.842	47.29/1.862	

- NOTES:
- MATERIAL: HOUSING: LCP, 94-V0, COLOR: BLACK. POWER CONTACTS: COPPER ALLOY. SIGNAL CONTACTS: MODIFIED TIN BRASS.
  - FINISH: SELECT GOLD - 0.75 μM/30 μ INCHES. SELECTED TIN - 2.50 μM/100 μ INCHES. BOTH OVER NICKEL - 1.25 μM/50 μ INCHES.
  - POWER TERMINALS ARE LUBRICATED IN CONTACT AREA.
  - PARTS ARE RoHS COMPLIANT.
  - MATES TO MOLEX P/N 45985-SERIES OR CARD EDGE 157/.062.
  - PRODUCT SPECIFICATION PS-46114-001.
  - PACKAGING: PER PK-46114-003.



MATERIAL # 46114-2160 SHOWN

UPDATE LOGO EC NO: S2016-1044 DRW:ALIN06 2016/05/18 CHKD:JZENG 2016/06/03 APPR:KHLIM 2016/06/10 REV: D3	QUALITY SYMBOLS	GENERAL TOLERANCES (UNLESS SPECIFIED)	DIMENSION STYLE MM/IN	SCALE 2:1	DESIGN UNITS METRIC	THIRD ANGLE PROJECTION															
		<table border="1"> <tr> <th></th> <th>mm</th> <th>INCH</th> </tr> <tr> <td>4 PLACES ±</td> <td>---</td> <td>---</td> </tr> <tr> <td>3 PLACES ±</td> <td>---</td> <td>±.010</td> </tr> <tr> <td>2 PLACES ±</td> <td>0.25</td> <td>---</td> </tr> <tr> <td>1 PLACE ±</td> <td>---</td> <td>---</td> </tr> </table> ANGULAR ±1/2°		mm	INCH	4 PLACES ±	---	---	3 PLACES ±	---	±.010	2 PLACES ±	0.25	---	1 PLACE ±	---	---	DRAWN BY MKARADIMAS	DATE 07/23/07	TITLE LPH VERTICAL RECEPTACLE ASSEMBLY 2 CIRCUIT PWR CONNECTOR, PRESS FIT	
		mm	INCH																		
	4 PLACES ±	---	---																		
3 PLACES ±	---	±.010																			
2 PLACES ±	0.25	---																			
1 PLACE ±	---	---																			
	DRAFT WHERE APPLICABLE MUST REMAIN WITHIN DIMENSIONS	CHECKED BY APATEL	DATE 07/25/07	APPROVED BY JCOMERC I	DATE 2009/12/03	MATERIAL NO. SEE CHART															
						DOCUMENT NO. SD-46114-200															

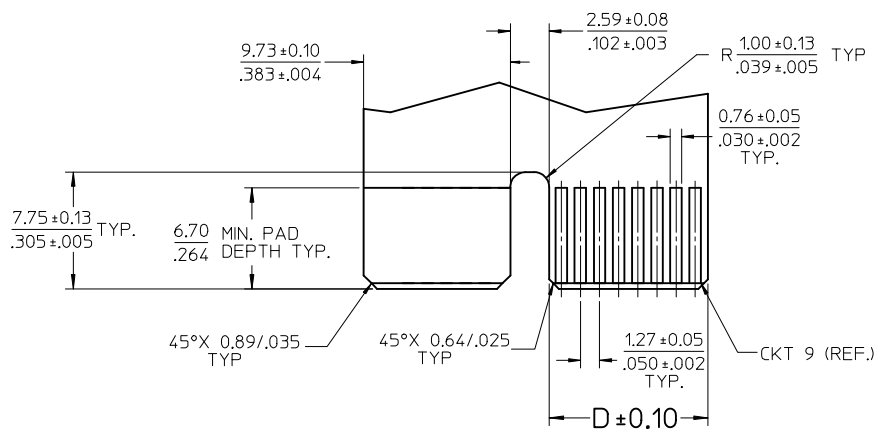
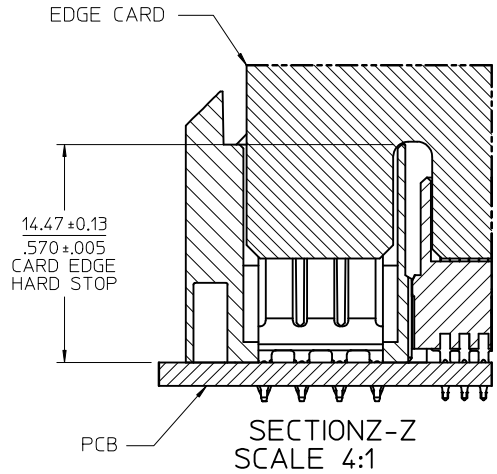
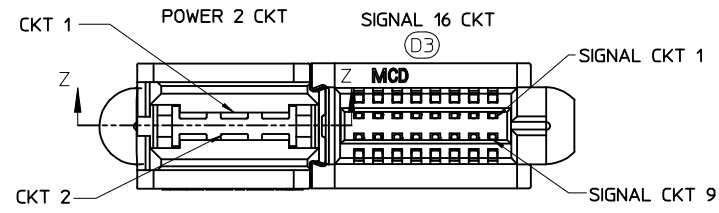


MATERIAL # 46114-2161 SHOWN

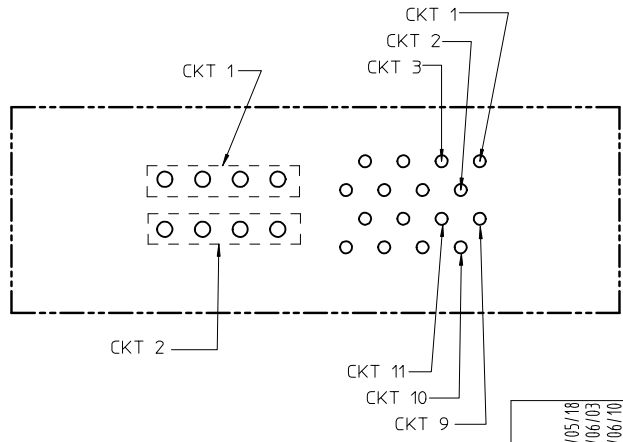
NO OF SIGNALS	MATERIAL NUMBER	COMPLIANT PIN PLATING	DIM A	DIM B	DIM C
12	46114-2121	TIN	23.34/.919	23.88/.940	2.69/.106
16	46114-2161	TIN	25.88/1.019	26.42/1.040	
20	46114-2201	TIN	28.42/1.119	28.96/1.140	
24	46114-2241	TIN	30.96/1.219	31.50/1.240	
28	46114-2281	TIN	33.50/1.319	34.04/1.340	
32	46114-2321	TIN	36.04/1.419	36.58/1.440	
36	46114-2361	TIN	38.58/1.519	39.12/1.540	
40	46114-2401	TIN	41.12/1.619	41.66/1.640	

UPDATE LOGO EC NO: S2016-10044 DRW: NALIN06 CHKD: JZENG APPR: KHLIM D3	2016/05/18 2016/06/03 2016/06/10	DESCRIPTION REV	QUALITY SYMBOLS	GENERAL TOLERANCES (UNLESS SPECIFIED)	DIMENSION STYLE MM/IN	SCALE 2:1	DESIGN UNITS METRIC	THIRD ANGLE PROJECTION
				4 PLACES ± --- ± --- 3 PLACES ± --- ± .010 2 PLACES ± 0.25 ± --- 1 PLACE ± --- ± ---	DRAWN BY: MKARADIMAS CHECKED BY: APATEL APPROVED BY: JCOMERCI	DATE: 07/23/07 DATE: 07/25/07 DATE: 2009/12/03	TITLE LPH VERTICAL RECEPTACLE ASSEMBLY 2 CIRCUIT PWR CONNECTOR, PRESS FIT	
				ANGULAR ±1/2°	MATERIAL NO. SEE CHART	MOLEX INCORPORATED MOLEX INCORPORATED		
			DRAFT WHERE APPLICABLE MUST REMAIN WITHIN DIMENSIONS	SIZE C	DOCUMENT NO. SD-46114-200	SHEET NO. 2 3		

NO OF SIGNAL	DIM. D
12	8.00/.315
16	10.54/.415
20	13.08/.515
24	15.62/.615
28	18.16/.715
32	20.70/.815
36	23.24/.915
40	25.78/1.015



RECOMMENDED EDGE CARD LAYOUT  
 EDGE CARD THICKNESS: 1.57/.062 ± 0.15/.006  
 PLATING: GOLD 30 μ INCHES MIN.  
 OVER 150 μ INCHES NICKEL.



PCB LAYOUT: COMPONENT SIDE  
 SEE SHT 1 FOR DIMENSIONS.

UPDATE LOGO IEC NO: S202014044 2016/05/18 DRWN:ALIN06 2016/06/03 CHKD:JZENG APPR:KHLIM 2016/06/10	DESCRIPTION LPH VERTICAL RECEPTACLE ASSEMBLY 2 CIRCUIT PWR CONNECTOR, PRESS FIT	GENERAL TOLERANCES (UNLESS SPECIFIED)		DIMENSION STYLE MM/IN		SCALE 4:1	DESIGN UNITS METRIC	THIRD ANGLE PROJECTION			
		4 PLACES ± --- ± ---	3 PLACES ± --- ± .010	2 PLACES ± .025 ± ---	1 PLACE ± --- ± ---	DRAWN BY MKARADIMAS	DATE 07/23/07	TITLE LPH VERTICAL RECEPTACLE ASSEMBLY 2 CIRCUIT PWR CONNECTOR, PRESS FIT			
		ANGULAR ± 1/2°				APPROVED BY JCOMERC I	DATE 2009/12/03	MOLEX INCORPORATED			
		DRAFT WHERE APPLICABLE MUST REMAIN WITHIN DIMENSIONS		SEE CHART		MATERIAL NO. SD-46114-200		DOCUMENT NO.		SHEET NO. 3 OF 3	