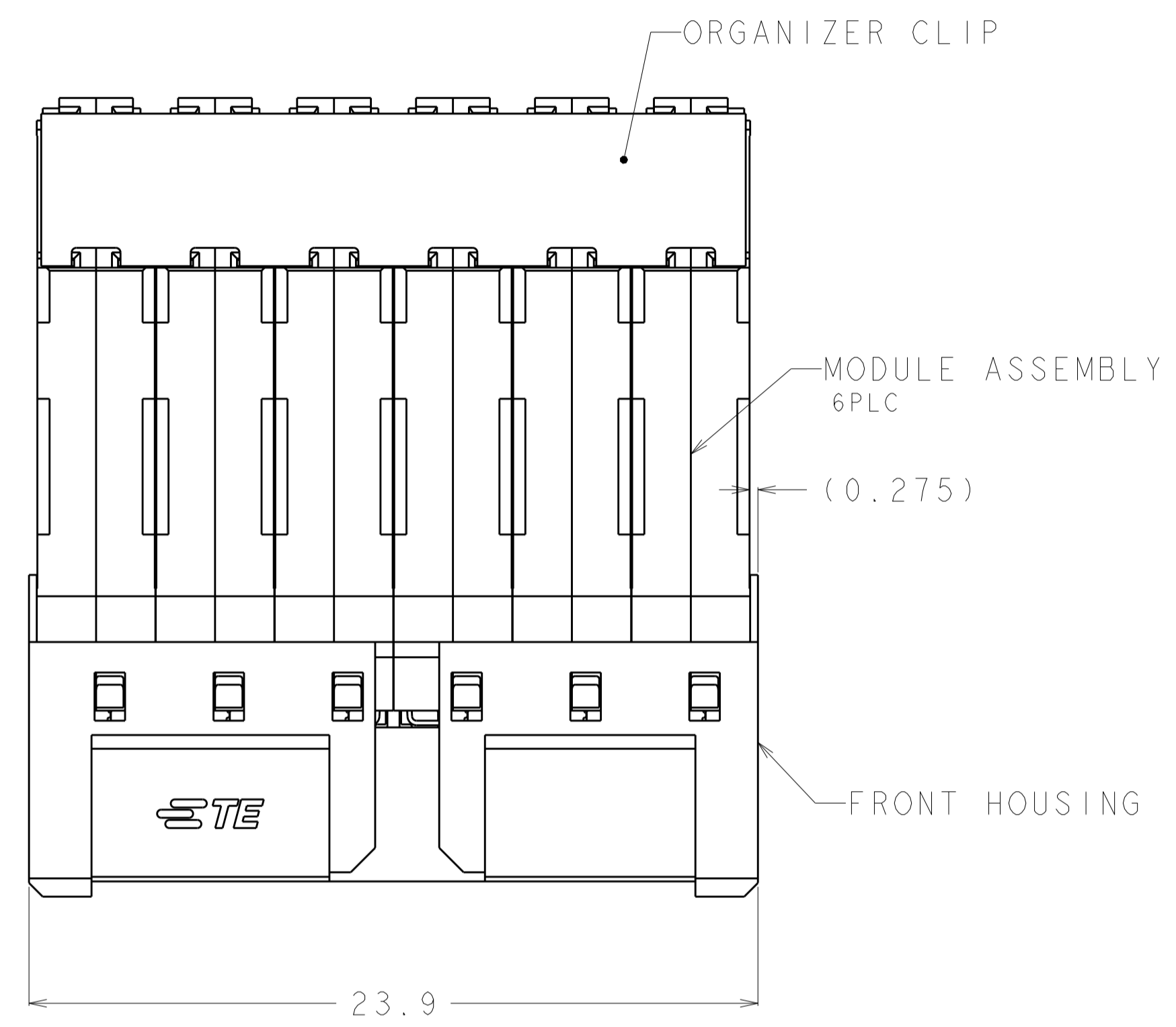
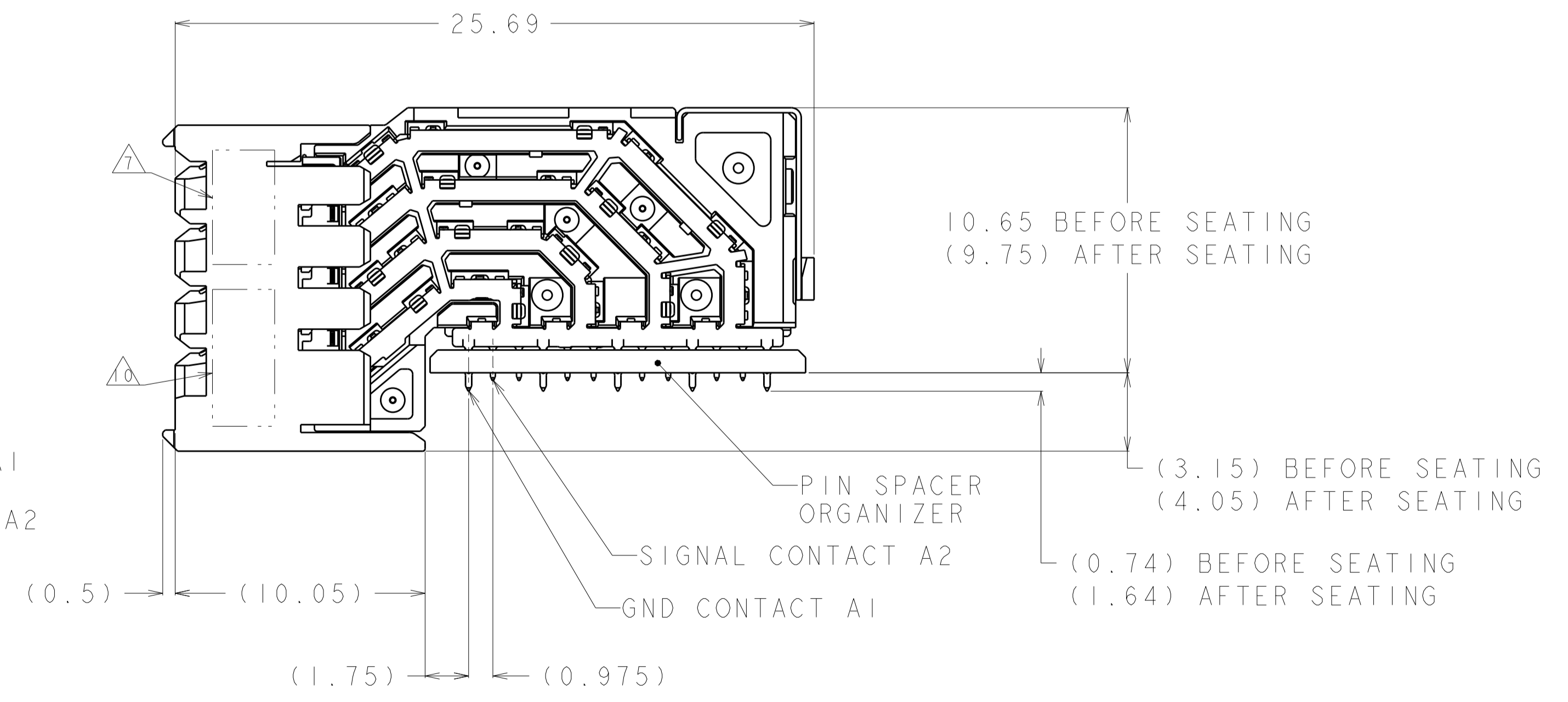
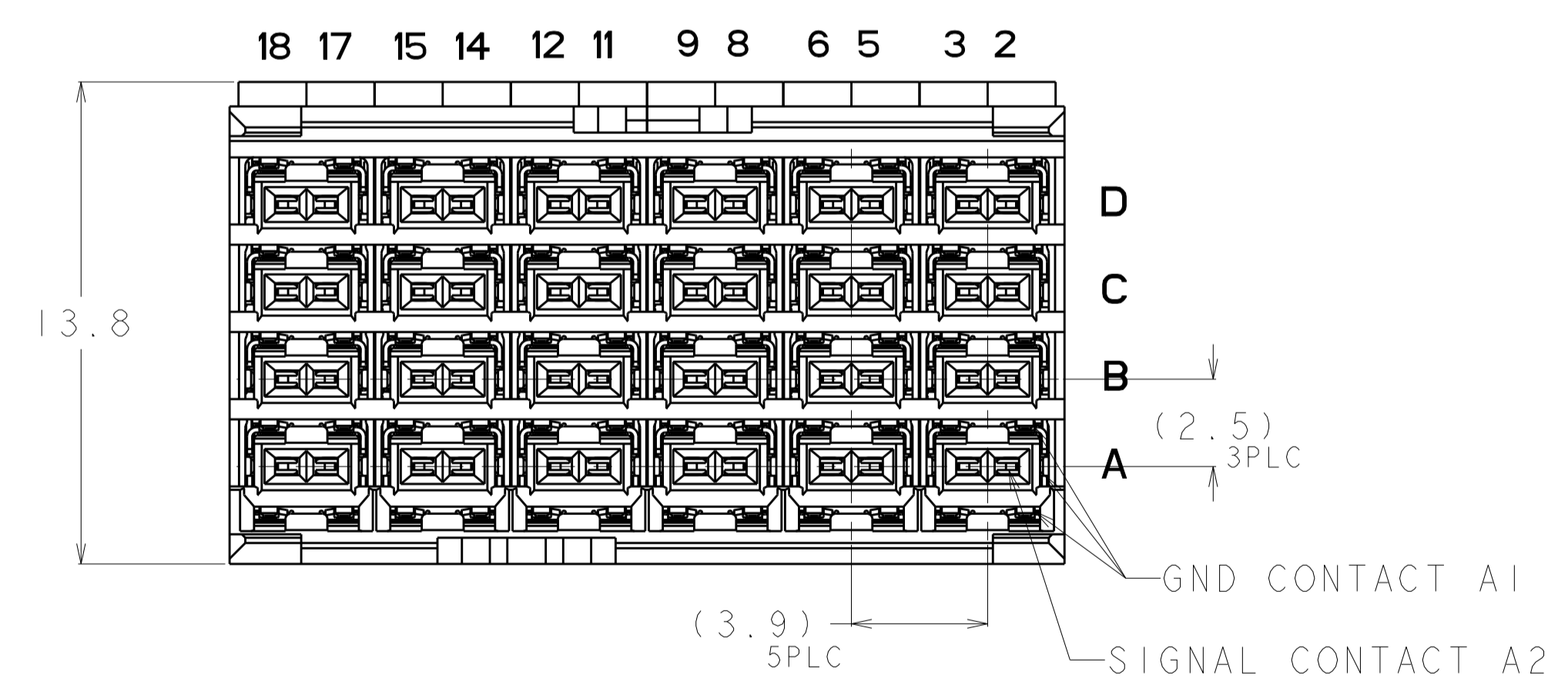


REVISIONS				
P.	LTN	DESCRIPTION	DATE	DMN APVD
A		RELEASED	16DEC2019	Y. K T. M
A1		REVISED	24DEC2019	Y. K T. M



- △ CONTACTS AND SHIELDS - COPPER ALLOY
ORGANIZER - STAINLESS STEEL
HOUSING AND PIN SPACER - THERMOPLASTIC, UL 94V-0, BLACK
- △ FINISH:
CONFORMS TO THE REQUIREMENTS OF TE PRODUCT SPECIFICATION 108-140186
BASED ON TELCORDIA GR-1217-CORE FOR SYSTEM QUALITY LEVEL III,
APPLICATIONS IN CONTROLLED ENVIRONMENTS (CENTRAL OFFICE).
COMPLIANT PIN AREA : 0.5um MIN MATTE TIN.
- △ GROUND PLATED THRU HOLE REQUIREMENTS:
FINISHED HOLE = $\varnothing 0.37 \pm 0.05$
HOLE SIZE PRIOR TO PLATING = $\varnothing 0.450 \pm 0.025$
COPPER THICKNESS = 0.025 MIN
IMMERSION TIN IF APPLICABLE = (0.00095)
- △ SIGNAL PLATED THRU HOLE REQUIREMENTS:
FINISHED HOLE = $\varnothing 0.29 \pm 0.05$
HOLE SIZE PRIOR TO PLATING = $\varnothing 0.37 \pm 0.025$ (#79 DRILL)
COPPER THICKNESS = 0.025 MIN
IMMERSION TIN IF APPLICABLE = (0.00095)
- △ SI VIA PLATED THRU HOLE REQUIREMENTS:
FINISHED HOLE = AS REQUIRED
HOLE SIZE PRIOR TO PLATING = $\varnothing 0.254 \pm 0.025$
COPPER THICKNESS = 0.025 MIN
IMMERSION TIN IF APPLICABLE = (0.00095)
- △ SIGNAL HOLES AND SI VIAS:
PTH DIMENSIONS APPLY TO THE TOP 1.00mm OF THE PCB THICKNESS FROM THE
CONNECTOR MOUNTING SIDE.
GROUND HOLES:
PTH DIMENSIONS APPLY TO THE TOP 1.25mm OF THE PCB THICKNESS FROM THE
CONNECTOR MOUNTING SIDE.
- △ CONNECTOR MARKED WITH PART NUMBER, DATE CODE, AND "92 OHM" IN
APPROXIMATE AREA SHOWN.
- △ DATUMS AND BASIC DIMENSIONS ESTABLISHED BY CUSTOMER
- △ APPLIES TO FINISHED HOLE DIAMETER
- △ DATAMATRIX BARCODE MARKING IN THIS AREA.



2356429-1
PART NO

THIS DRAWING IS A CONTROLLED DOCUMENT.		DMN Y. KODAIRA 13MAY2019	TE Connectivity	
DIMENSIONS:		CHK M. IWASAKI 13MAY2019	NAME RIGHT ANGLE RECEPTACLE ASSEMBLY	
TOLERANCES UNLESS OTHERWISE SPECIFIED:		APVD T. MATSUDAIRA 13MAY2019	PRODUCT SPEC 4 PAIR 6 COLUMN, 92 OHM,	
mm		PRODUCT SPEC	108-140186	
0 PLC ± 0.3		APPLICATION SPEC	PAIR-IN-ROW, STRADA WHISPER R	
1 PLC ± 0.3		SIZE	114-32029	
2 PLC ± 0.3		CAGE CODE	DRAWING NO	
3 PLC ± 0.3		WEIGHT	A100779C=2356429	
4 PLC ± 0.3		RESTRICTED TO	-	
5 PLC ± 0.3		CUSTOMER DRAWING	SCALE 6:1 SHEET 1 OF 2 REV A1	
ANGLES $\pm 0.3^\circ$				
FINISH $\pm 0.3^\circ$				

