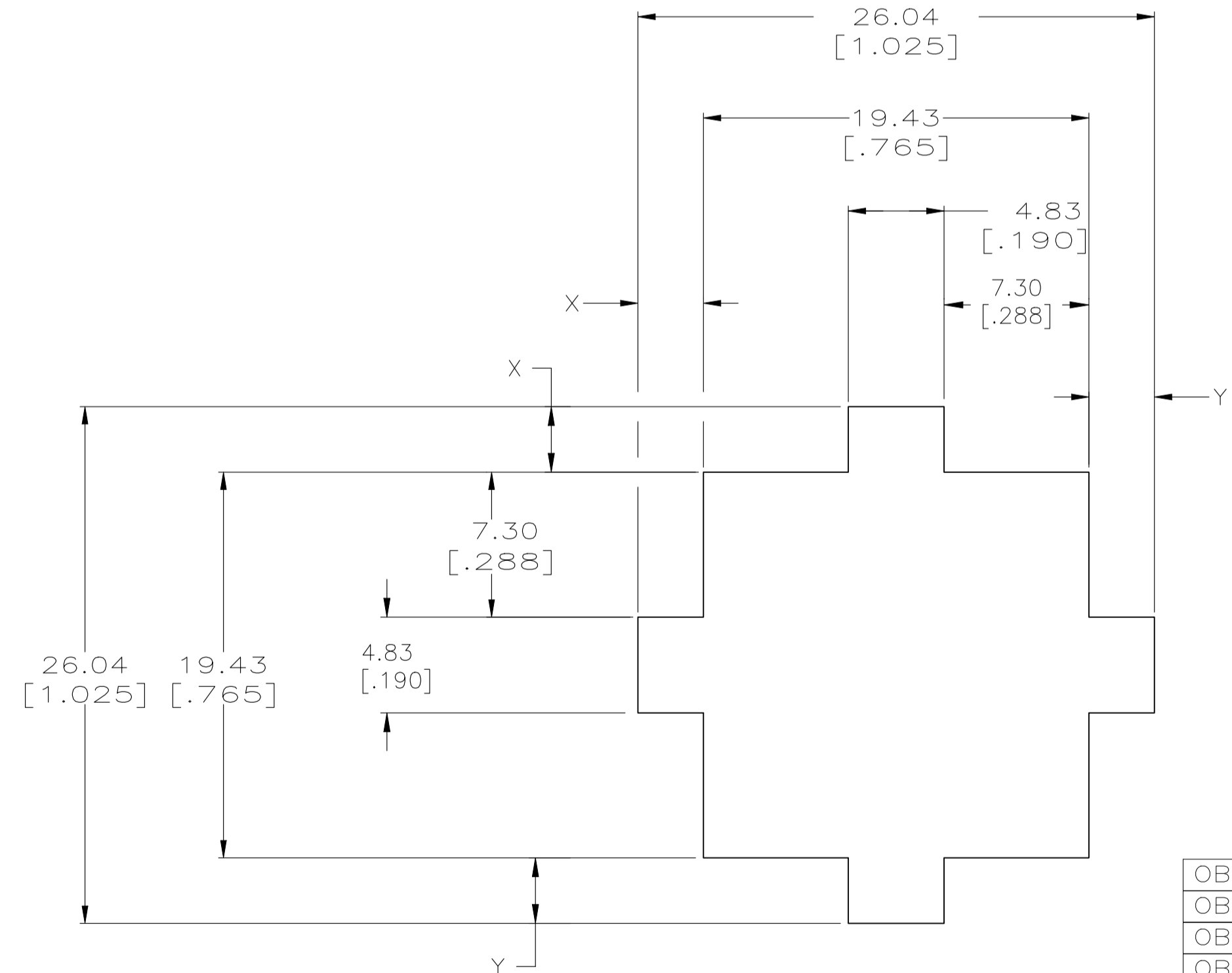
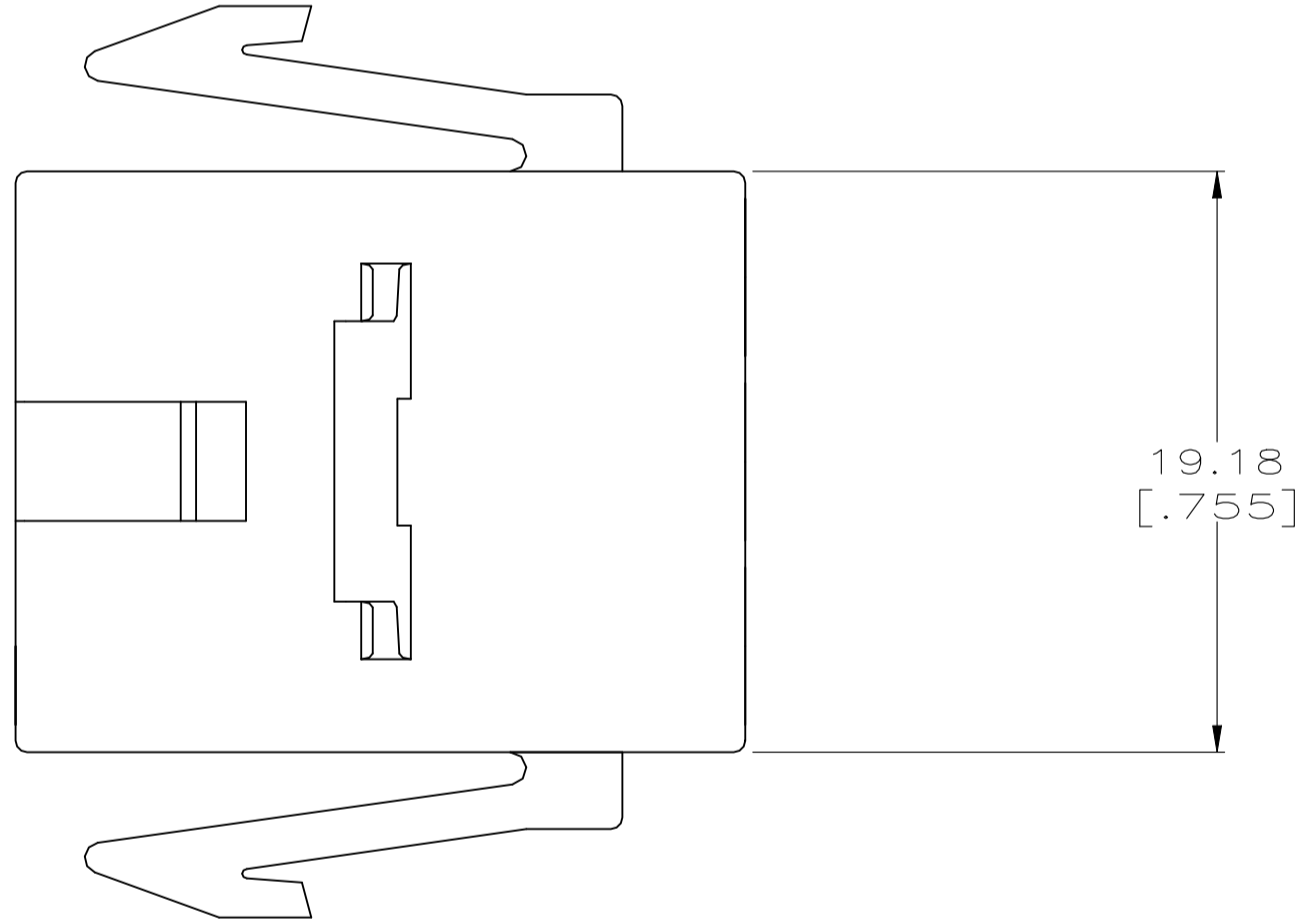
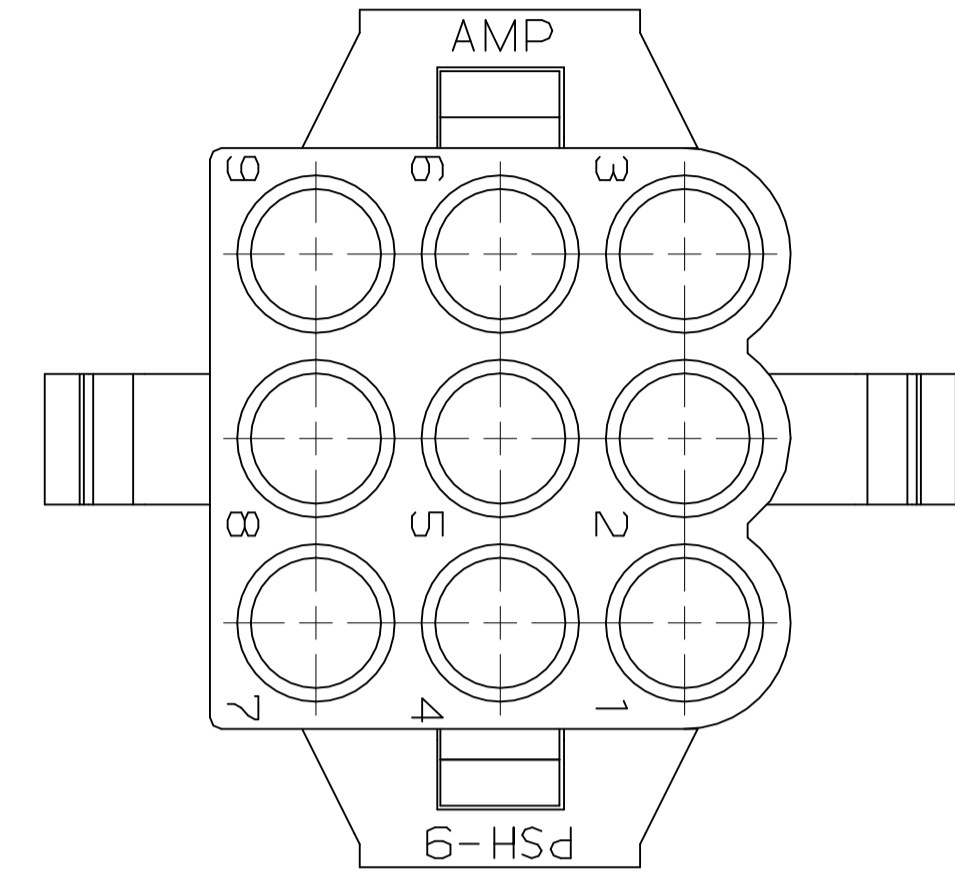
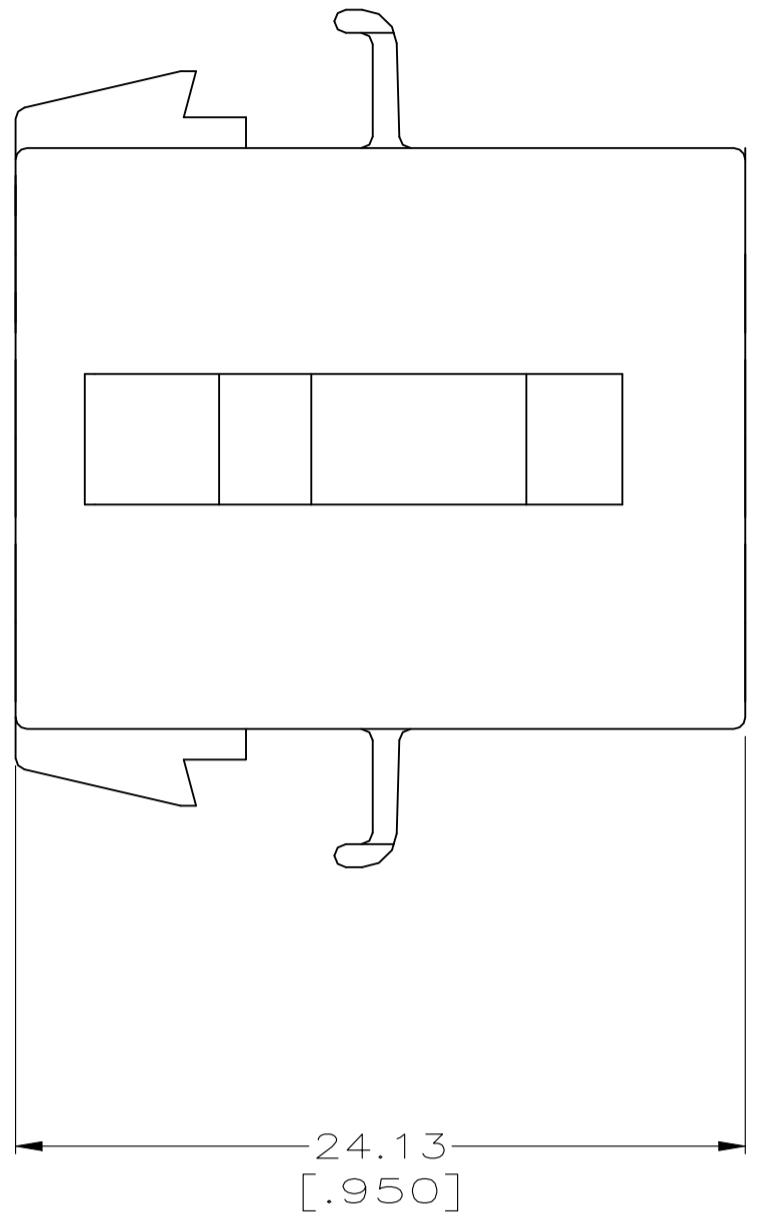
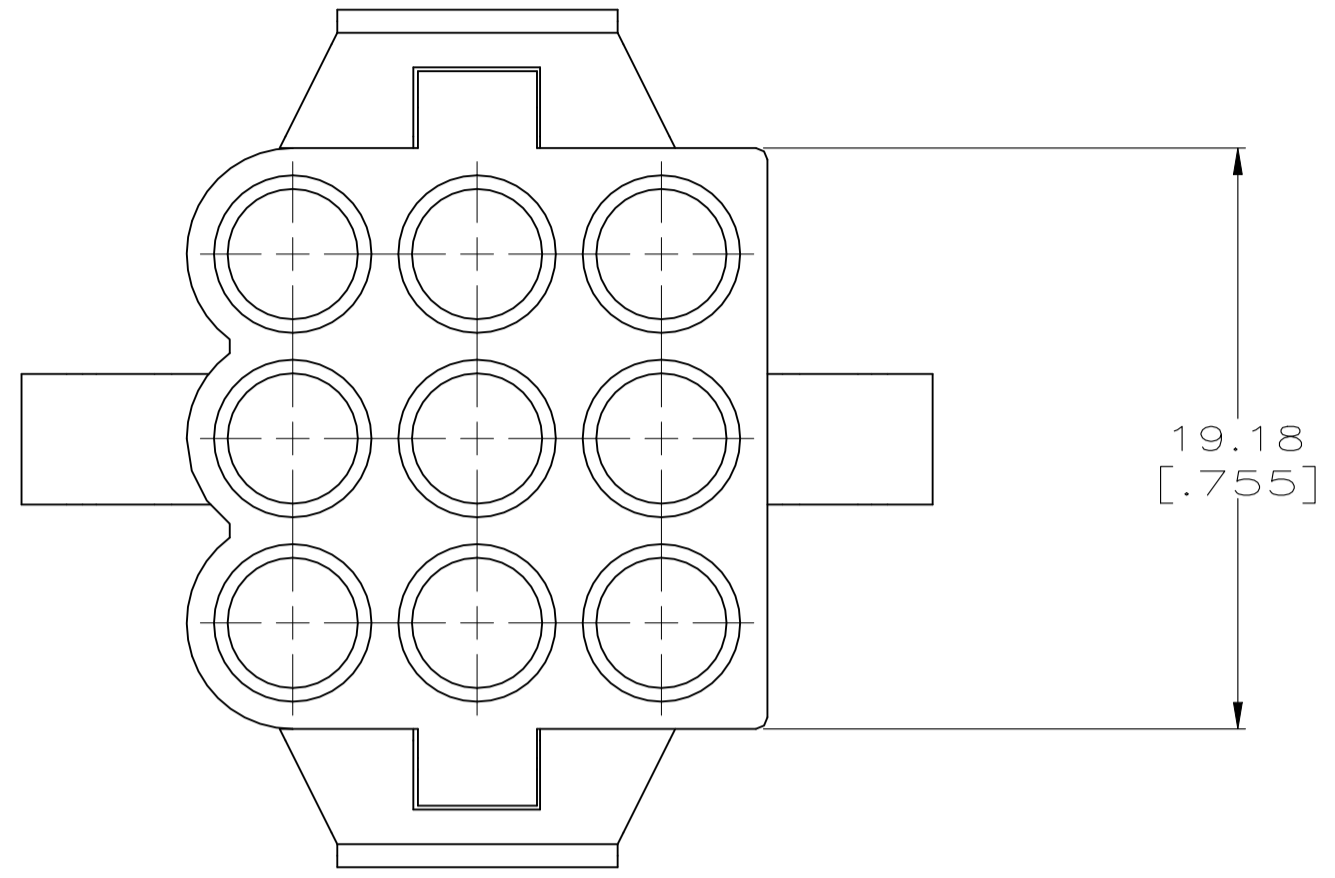
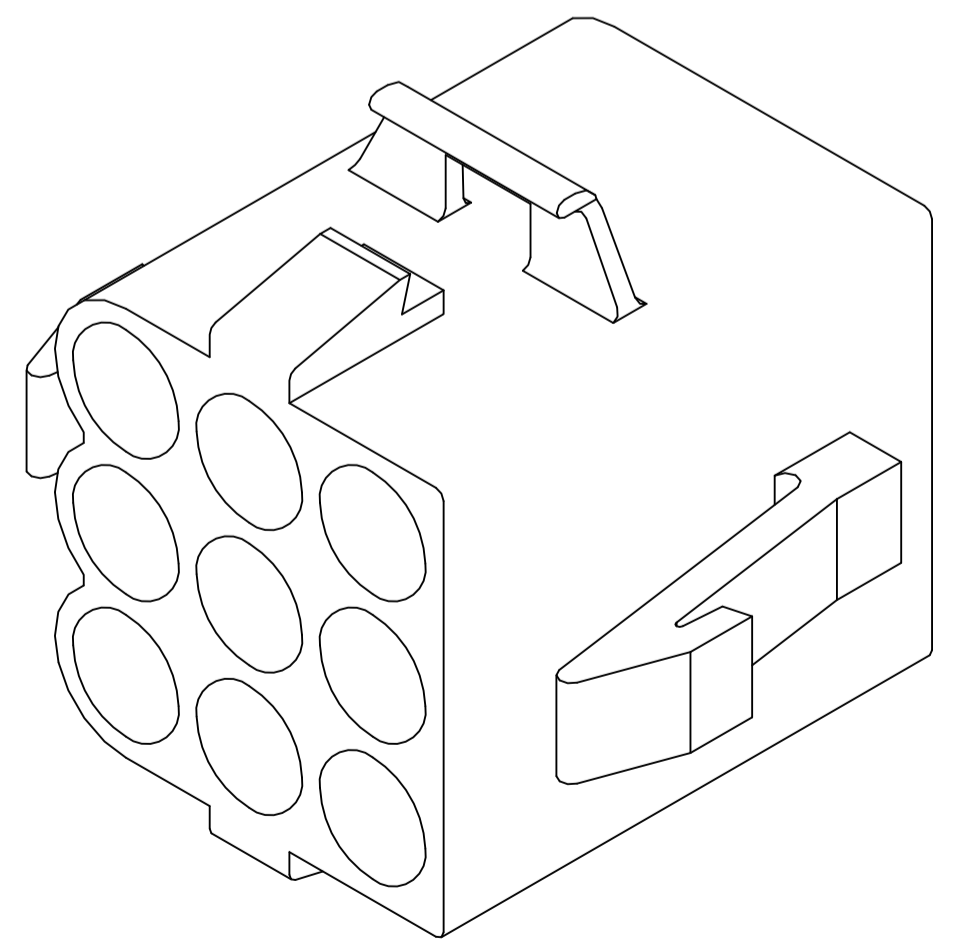


LOC		DIST		REVISIONS			
CM	0	REV	DATE	BY	APP'D	DATE	BY
H2	REVISED PER ECR-21-101087	29APR2021	PJ	VS			

- PANEL THICKNESS - 1.02[.040] - 1.78[.070].
- X & Y TO BE EQUAL WITHIN 0.13[.005].
- PANEL MUST BE PUNCHED SO THAT THE HOUSING AND THE PUNCH ENTER THE PANEL IN THE SAME DIRECTION.



RECOMMENDED PANEL CUT OUT FOR PLUG



3-DIMENSIONAL MODEL NTS

COLOR	PART NUMBER
BLACK	1-480672-9
OBSOLETE BLUE	1-480672-6
OBSOLETE GREEN	1-480672-5
OBSOLETE YELLOW	1-480672-4
OBSOLETE ORANGE	1-480672-3
OBSOLETE RED	1-480672-2
BROWN	1-480672-1
NATURAL	1-480672-0

THIS DRAWING IS A CONTROLLED DOCUMENT.

DIMENSIONS: mm [INCHES]	TOLERANCES UNLESS OTHERWISE SPECIFIED:	DIN K. WHITAKER 06-JAN-2000	TE Connectivity
0. PLC ± -	1. PLC ± -	CHK S. RIDGILL 06-JAN-2000	
2. PLC ± 0.13[.005]	3. PLC ± -	APP'D S. RIDGILL 06-JAN-2000	PLUG, 9 CIRCUIT, .140 MATE-N-LOK(TM)
4. PLC ± -	ANGLES ± 0.30°	PRODUCT SPEC	SIZE: A1
MATERIAL: NYLON, UL94-V2	FINISH: -	APPLICATION SPEC	SCALE: 4:1
		WEIGHT: -	SHEET 1 of 1
		CUSTOMER DRAWING	REV H2

