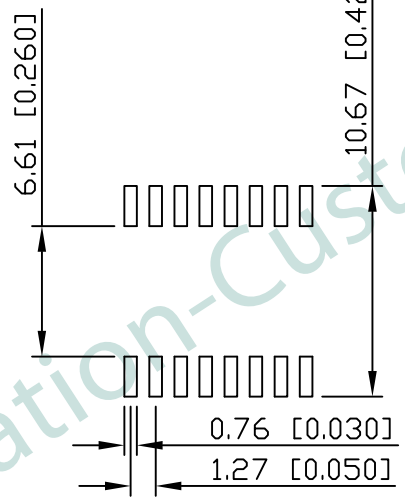
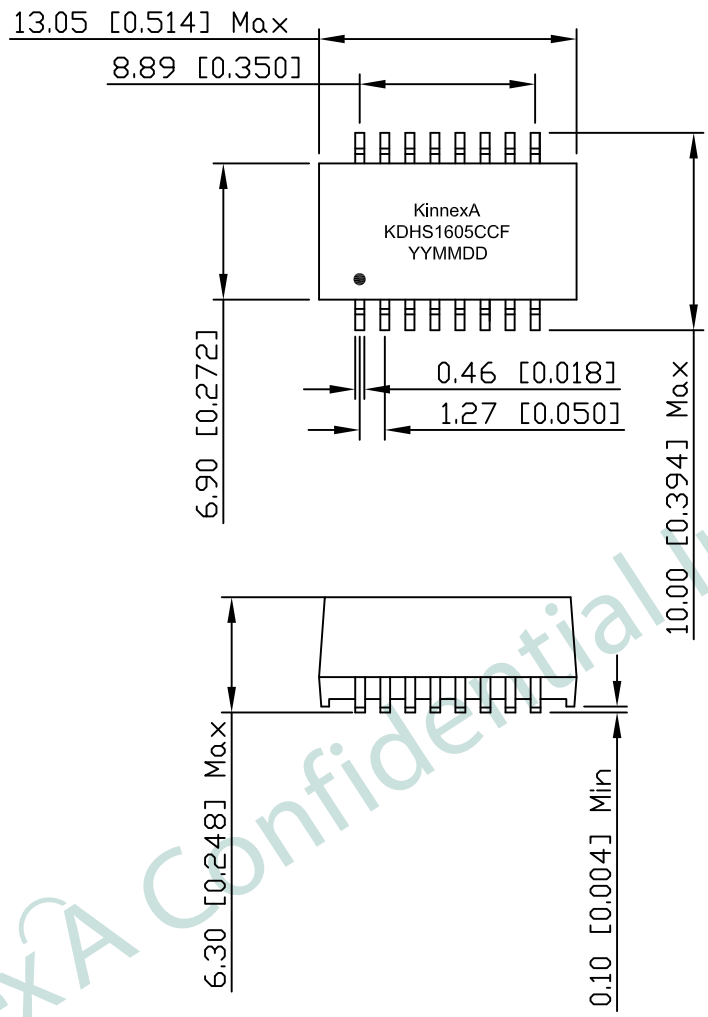
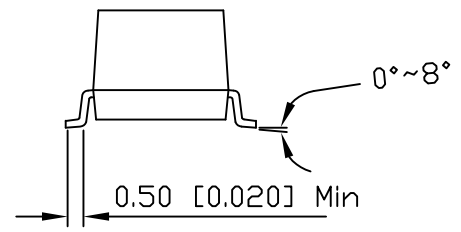


REV.	DATE	DESCRIPTION
01	Aug,05,16	1st RELEASE

# 1. MECHANICAL DIMENSIONS :



SUGGESTED PAD LAYOUT

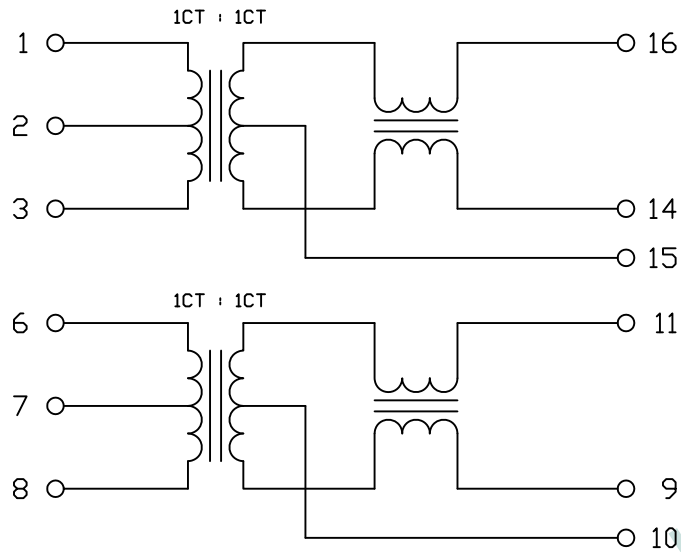


Dimensions: mm [Inches]  
 Unless otherwise specified, all tolerances are ±0.25 [0.010]

PART NO KTFZ-DHS1605CCF				
TITLE	HIGH SPEED LAN 10/100 BASE-TX SINGLE PORT MAGNETICS MODULE			
REV : 01				
UNIT	DRAWN	CHKD	DATE	SHEET
mm[inch]	RYAN	IVAN	Aug,05,16	1 of 3

RoHS Compliant

## 2. SCHEMATIC :



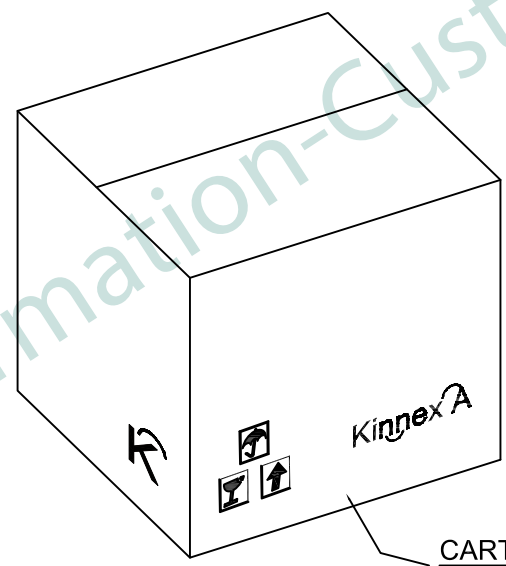
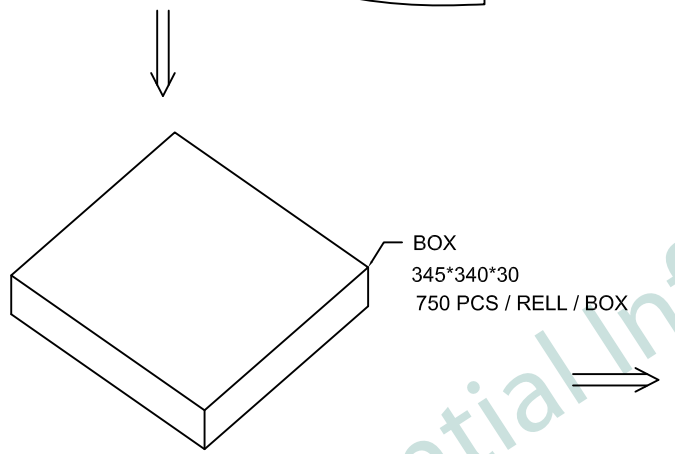
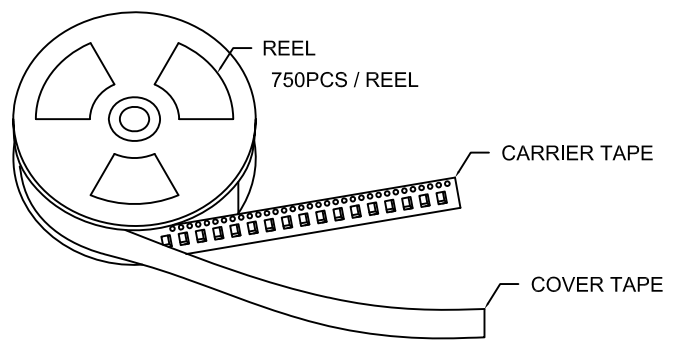
## 3. ELECTRICAL CHARACTERISTICS :

TEST NOTES:( $25 \pm 5^\circ\text{C}$ )

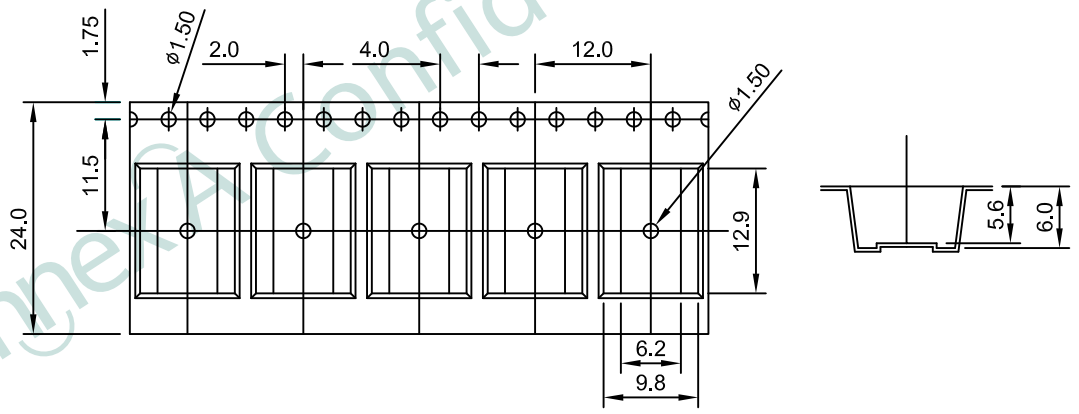
- TR:  
INPUT TO OUTPUT=1:1 $\pm$ 3%
- LX:(100KHz,100mV,8mA, DC Bias)  
350 $\mu$ H MINIMUM
- DCR:  
EVERY RJ PAIR= 1.2 OHMS MAXIMUM
- HIPOT:  
INPUT TO OUTPUT : 1500VAC FOR 60 SECONDS
- INSERTION LOSS:  
-1.0dB MAXIMUM AT 0.3MHz TO 100MHz;
- RETURN LOSS:  
-20dB MINIMUM AT 1MHz TO 30MHz;  
-15dB MINIMUM AT 30MHz TO 60MHz  
-10dB MINIMUM AT 60MHz TO 80MHz
- CROSS TALK:  
-30dB MINIMUM AT 1MHz TO 100MHz
- COMMON TO COMMON MODE REJECTION:  
-30dB MINIMUM AT 1MHz TO 100MHz
- OPERATING TEMPERATURE :  $0^\circ\text{C} \sim +70^\circ\text{C}$

PART NO		KTFZ-DHS1605CCF		
TITLE	HIGH SPEED LAN 10/100 BASE-TX SINGLE PORT MAGNETICS MODULE			
REV : 01				
UNIT	DRAWN	CHKD	DATE	SHEET
mm[inch]	RYAN	IVAN	Aug.05,16	2 of 3

### 4. PACKING SPECIFICATION :



**CARTON**  
375mm X 362mm X 286mm  
5250 PCS / 7 BOX / CTN



PART NO		KTFZ-DHS1605CCF		
TITLE	HIGH SPEED LAN 10/100 BASE-TX SINGLE PORT MAGNETICS MODULE			
REV : 01				
UNIT	DRAWN	CHKD	DATE	SHEET
mm[inch]	RYAN	IVAN	Aug.05,16	3 of 3