

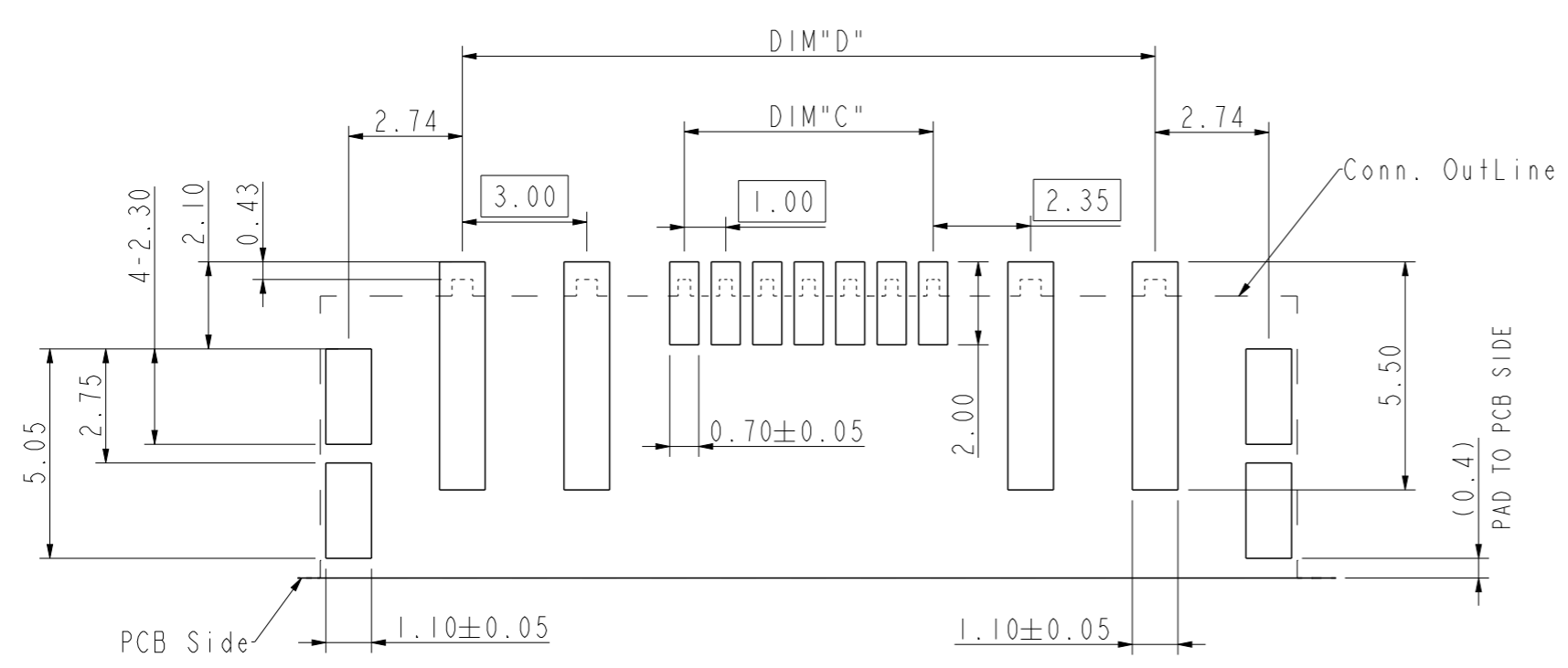
7 Signal+4 Power

P/N	Signal NO.	Power NO.	DIM"A"	DIM"B"	DIM"C"	DIM"D"
-205202XLF	05	02	15.55	12.25	4.00	8.70
-205204XLF	05	04	21.55	18.25	4.00	14.70
-205206XLF	05	06	27.55	24.25	4.00	20.70
-205208XLF	05	08	33.55	30.25	4.00	26.70
-207202XLF	07	02	17.55	14.25	6.00	10.70
-207204XLF	07	04	23.55	20.25	6.00	16.70
-207206XLF	07	06	29.55	26.25	6.00	22.70
-207208XLF	07	08	35.55	31.25	6.00	28.70
-209202XLF	09	02	19.55	16.25	8.00	12.70
-209204XLF	09	04	25.55	21.25	8.00	18.70
-209206XLF	09	06	31.55	27.25	8.00	24.70
-209208XLF	09	08	37.55	33.25	8.00	30.70
-211202XLF	11	02	21.55	18.25	10.00	14.70
-211204XLF	11	04	27.55	24.25	10.00	20.70
-211206XLF	11	06	33.55	30.25	10.00	26.70
-211208XLF	11	08	39.55	36.25	10.00	32.70
-213202XLF	13	02	23.55	20.25	12.00	16.70
-213204XLF	13	04	29.55	26.25	12.00	22.70
-213206XLF	13	06	35.55	32.25	12.00	28.70
-213208XLF	13	08	41.55	38.25	12.00	34.70
-215202XLF	15	02	25.55	22.25	14.00	18.70
-215204XLF	15	04	31.55	28.25	14.00	24.70
-215206XLF	15	06	37.55	34.25	14.00	30.70
-215208XLF	15	08	43.55	40.25	14.00	36.70
-217202XLF	17	02	27.55	24.25	16.00	20.70
-217204XLF	17	04	33.55	30.25	16.00	26.70
-217206XLF	17	06	39.55	36.25	16.00	32.70
-217208XLF	17	08	45.55	42.25	16.00	38.70
-219202XLF	19	02	29.55	26.25	18.00	22.70
-219204XLF	19	04	35.55	32.25	18.00	28.70
-219206XLF	19	06	41.55	38.25	18.00	34.70
-219208XLF	19	08	47.55	44.25	18.00	40.70

4	Hold Down	Copper Alloy,Matte Tin OverNi Plating	2
3	Signal_T	Copper Alloy,5U"Min.Au or Tin plating on contact area,Ni under Plated over all.	Refer to Code
2	Power_T	Copper Alloy,5U"Min.Au or Tin plating on contact area,Ni under Plated over all.	Refer to Code
1	Housing	Hight TemperatureThermo plastic Natural,UL94V-0	1
NO	Companent	Material	Q'ty Mark

spec ref	-	dr	Arthur Zhao	2021/09/23	projection	mm	size	A3	scale	1:1	
tolerance std	ISO 406 ISO 1101	eng	Ji-Feng Zhang	2022/05/24			ecn no	ELX-N-44773-1			
TOLERANCES UNLESS OTHERWISE SPECIFIED		chr	-	-			rel level	Released			
surface	linear	appr	Tim Yao	2022/05/25	product family	-	dwg no	10162688C		rev	B
ISO 1302	angular	Amphenol FCI		HEADER_R/A_ ASSEMBLY		cat. no.	-	Product - Customer Drw	sheet 1 of 4		
	0.X ±0.3			COMBOLOCK CONNECTOR							
	0.XX ±0.2										
	0.XXX ±0.1										
	0° ±2°										

- NOTE:
- ELECTRICAL CHARACTERISTICS:
    - CURRENT RATING: 10A PER POWER PIN, 1.5A<sub>max.</sub> PER SIGNAL PIN. (PLEASE REF TO PRODUCT SPEC.)
    - CONTACT RESISTANCE: 20mΩ MAX.
    - INSULATOR RESISTANCE: 100MΩ MIN.
    - DIELECTRIC WITHSTANDING VOLTAGE: 500V AC;
    - OPERATION TEMPERATURE: -40 °C ~ +105 °C;
  - MECHANICAL CHARACTERISTICS:
    - DURABILITY : 30 CYCLES.
    - THE HOUSING WILL WITHSTAND EXPOSURE TO 260°C PEAK TEMPERATURE FOR 20 SECONDS IN A CONVECTION, INFRA-RED OR VAPOR PHASE REFLOW.
    - LEAD FREE PRODUCT MEETS EUROPEAN UNION DIRECTIVES AND OTHER COUNTRY REGULATIONS AS DISCRIBLED IN GS-22-008.
  - PRODUCT SPECITICATION: GS-12-1702;
  - PACKAGE SPECITICATION: GS-14-2794;
  - APPLICATION SPEC.: GS-20-0703;
  - MATES WITH:
    - CABLE HOUSING: 10162695-1XXXX0LF;
    - CRIMPING SIGNAL TERMINAL: 10162696-X0XLF;
    - CRIMPING POWER TERMIANL: 10162697-X0XLF;
  - PRODUCT DESCRIPTION CODE :



RECOMMENDED PCB LAYOUT  
GENERAL TOLERANCE +/-0.10

10162688-X XX X XX X LF

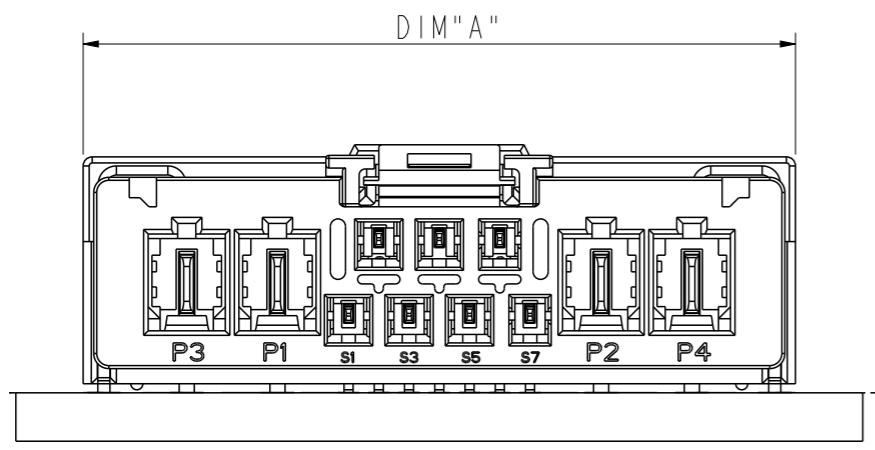
Plating of Signal: \_\_\_\_\_  
 2: Contact Area:  
 5U" Au Min.  
 Solder Area:  
 100U" Min. Matte Tin.

Signal Pin NO.:  
 XX: 05~19 Pin (Uneven)

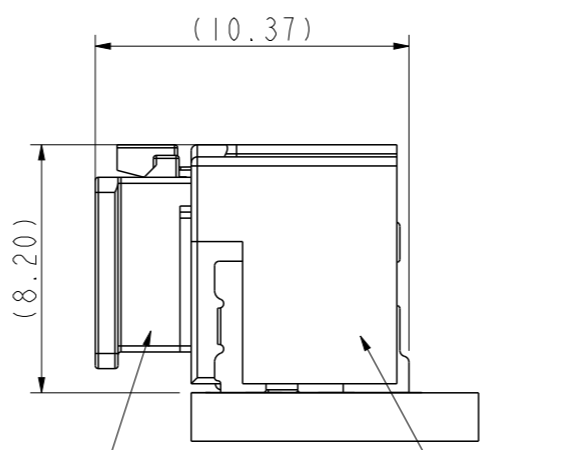
Packing:  
 T: Tray  
 C: Tape & Reel

Power Pin NO.:  
 XX: 02~08 Pin (Even)

Plating of Power:  
 2: Contact Area:  
 5U" Au Min.  
 Solder Area:  
 Gold flash.



MATING VIEW

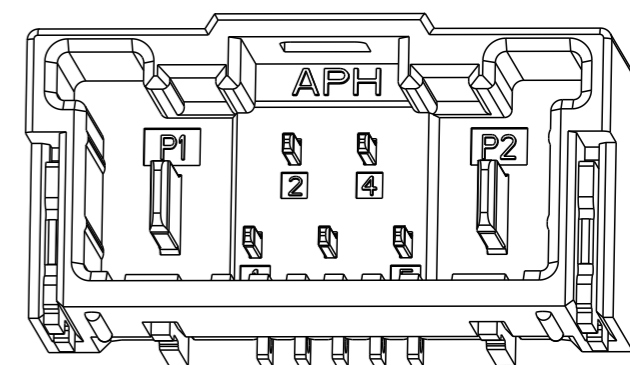
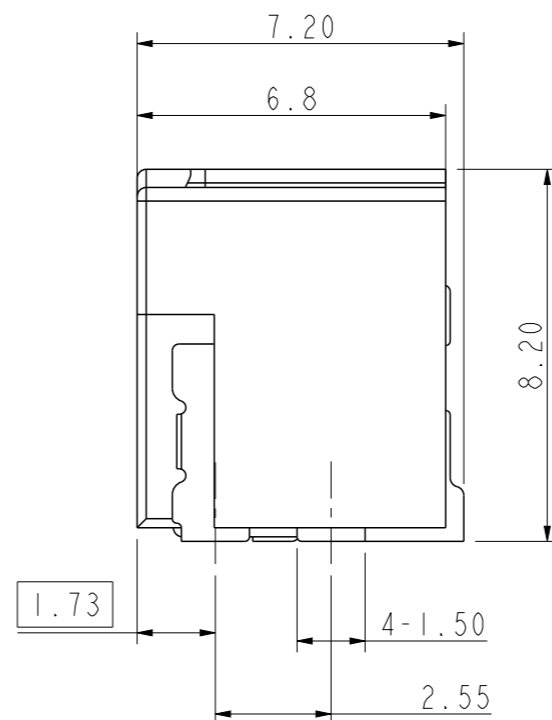
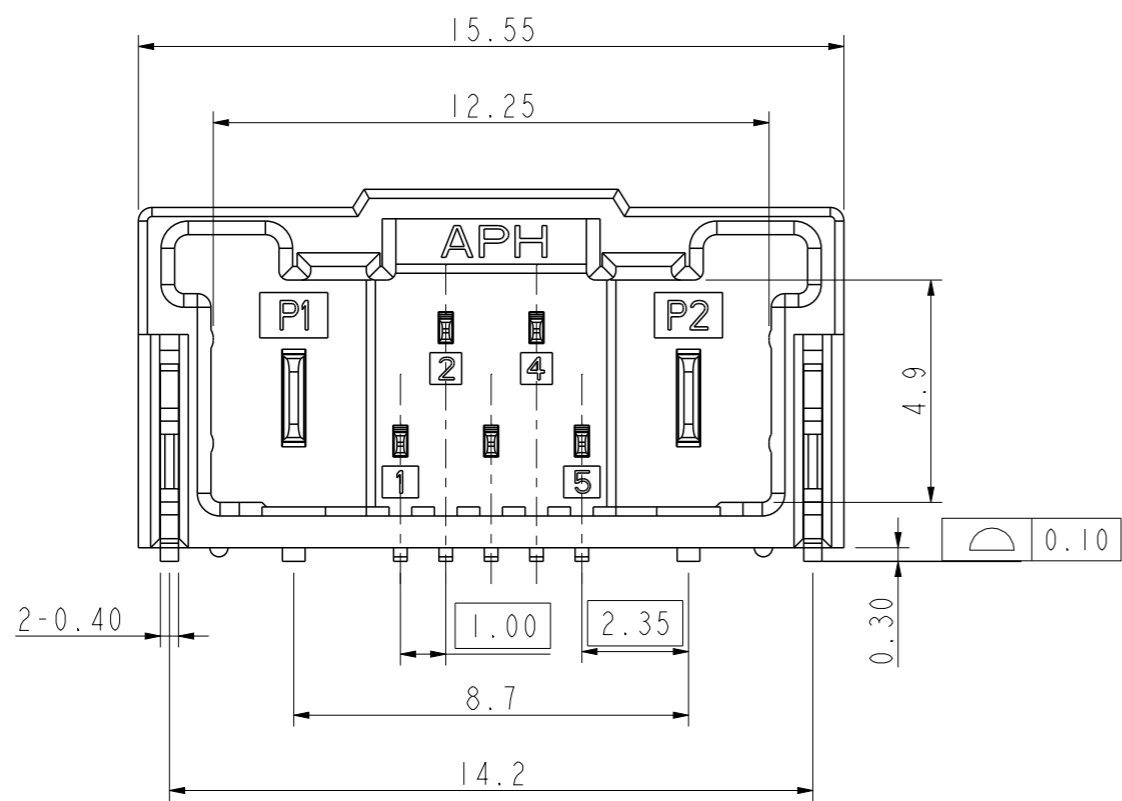


CABLE ASSEMBLY

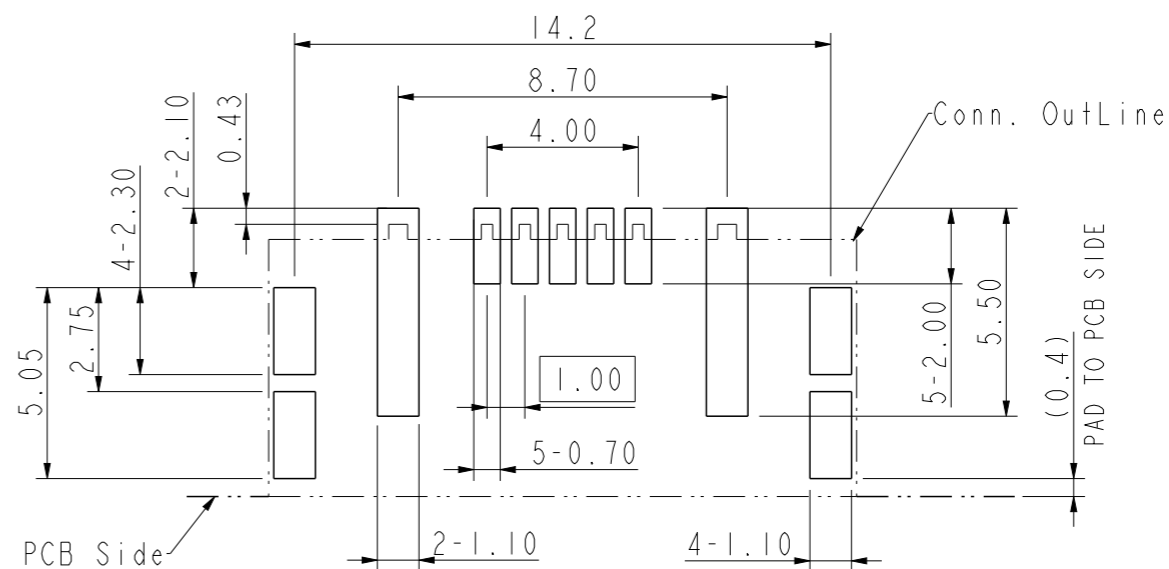
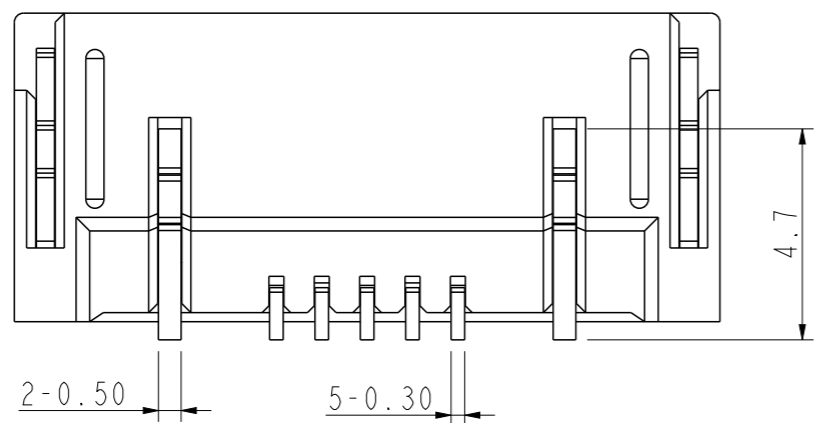
HEADER

spec ref	-	dr	Arthur Zhao	2021/09/23	projection	mm	size	A3	scale	1:1
tolerance std	ISO 406 ISO 1101	eng	Ji-Feng Zhang	2022/05/24			ecn no	ELX-N-44773-1		
TOLERANCES UNLESS OTHERWISE SPECIFIED		chr	-	-			rel level	Released		
surface	linear	appr	Tim Yao	2022/05/25	product family	-	rel level	Released		
	angular	<b>Amphenol FCI</b>		title HEADER_R/A_ ASSEMBLY COMBOLOCK CONNECTOR		dwg no 10162688C	rev B			
ISO 1302	0.X ±0.3 0.XX ±0.2 0.XXX ±0.1 0° ±2°	cat. no.	-	Product - Customer Drw	sheet 2 of 4					

PART NUMBER  
10162688-205202XLF

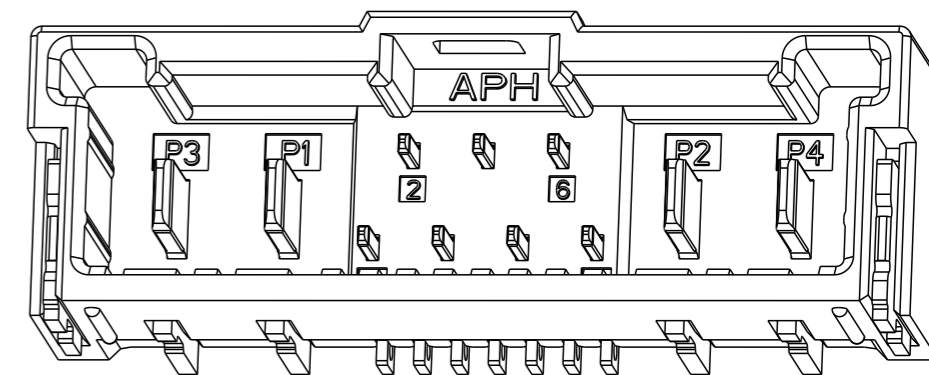
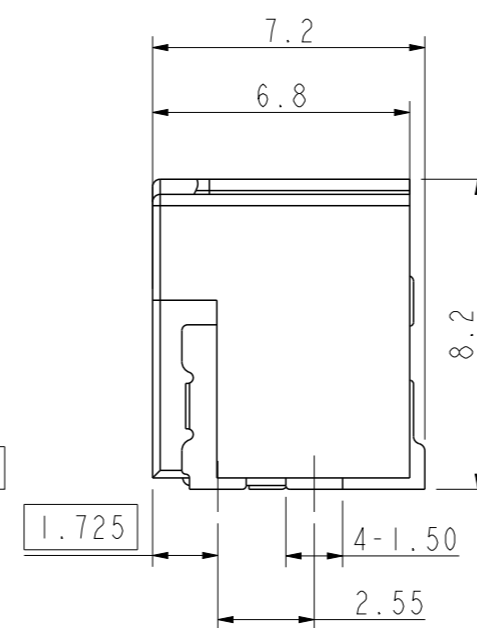
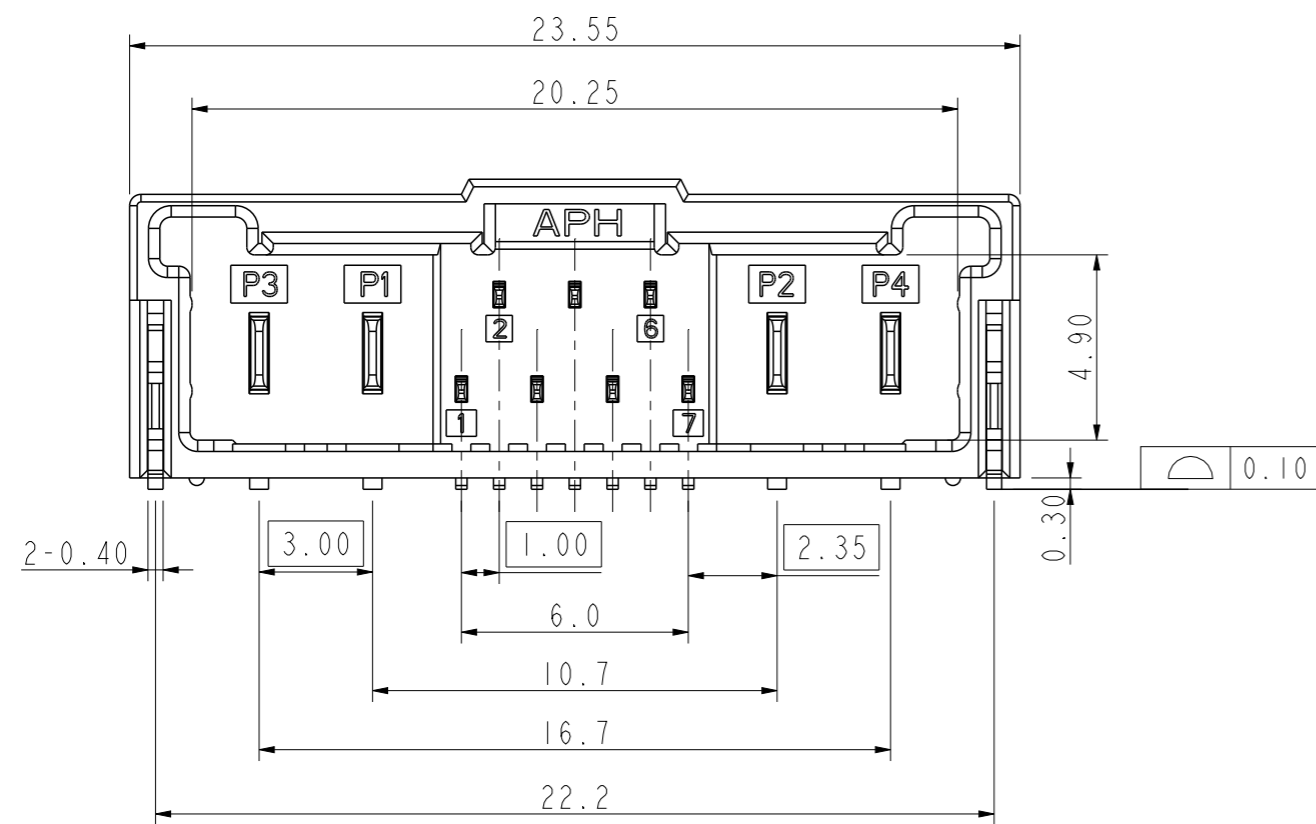


5 Signal+2 Power

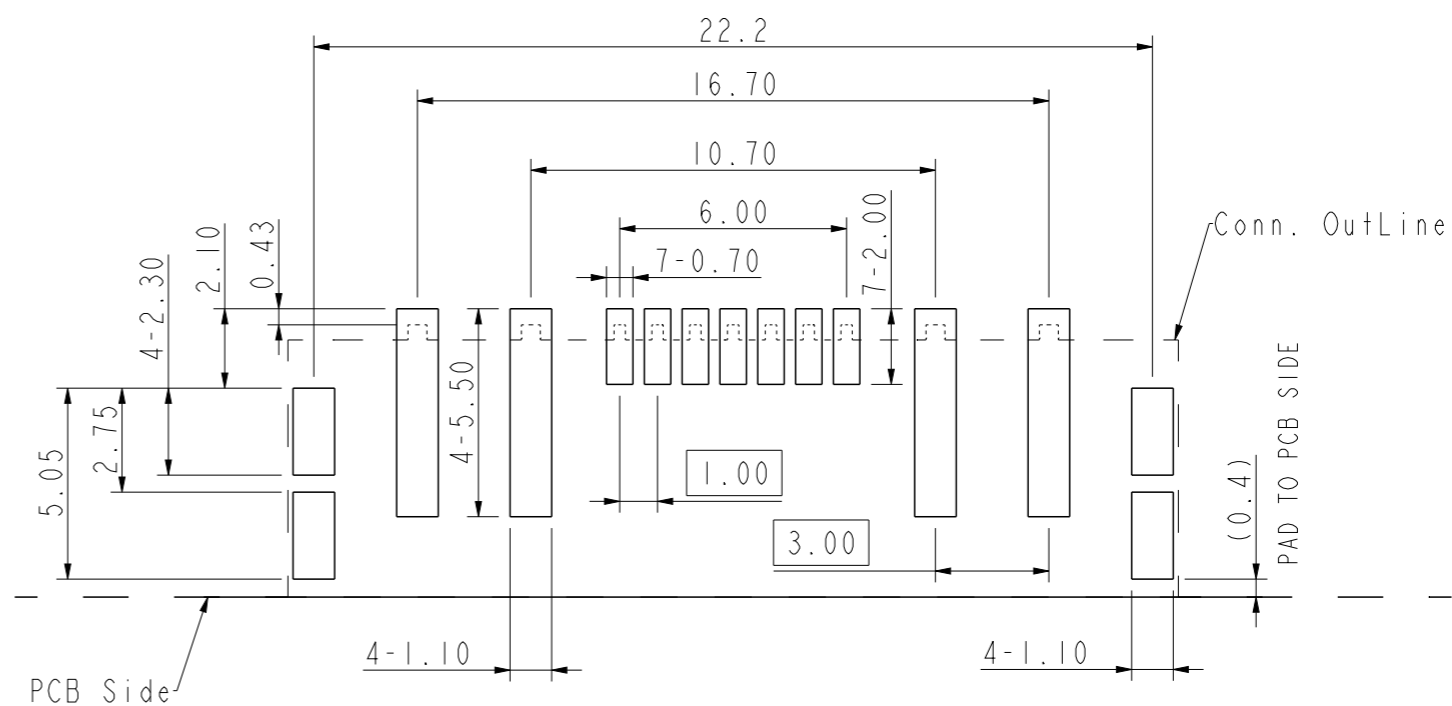
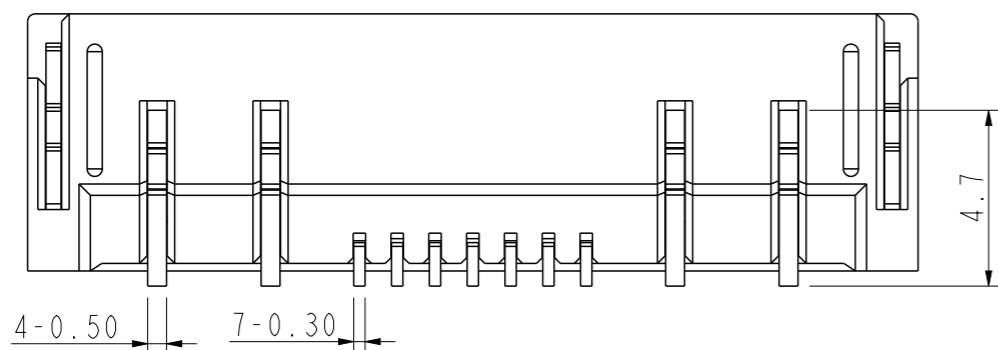


spec ref	-	dr	Arthur Zhao	2021/09/23	projection	mm	size	A3	scale	1:1
tolerance std	ISO 406 ISO 1101	TOLERANCES UNLESS OTHERWISE SPECIFIED	eng	Ji-Feng Zhang	2022/05/24		ecn no	ELX-N-44773-1		
surface	linear	0.X ±0.3 0.XX ±0.2 0.XXX ±0.1	chr	-	2022/05/25		product family	rel level	Released	
	angular	0° ±2°	appr	Tim Yao		product family				
			<b>Amphenol FCI</b>		title HEADER_R/A_ ASSEMBLY COMBOLOCK CONNECTOR		dwg no 10162688C	rev B		
			cat. no.		-		Product - Customer Drw		sheet 3 of 4	

PART NUMBER  
10162688-207204XLF



7 Signal+4 Power



RECOMMENDED PCB LAYOUT  
GENERAL TOLERANCE +/-0.10

spec ref	-	dr	Arthur Zhao	2021/09/23	projection	mm	size	A3	scale	1:1	
tolerance std	ISO 406 ISO 1101	TOLERANCES UNLESS OTHERWISE SPECIFIED	eng	Ji-Feng Zhang	2022/05/24		ecn no	ELX-N-44773-1			
surface	linear	0.X ±0.3 0.XX ±0.2 0.XXX ±0.1	chr	-	2022/05/25		product family	rel level	Released		
	angular	0° ±2°	appr	Tim Yao		Amphenol FCI	title	HEADER_R/A_ ASSEMBLY		rev	B
							COMBOLOCK CONNECTOR	cat. no.	-	Product - Customer Drw	sheet 4 of 4
							COMBOLOCK CONNECTOR	dwg no	10162688C		