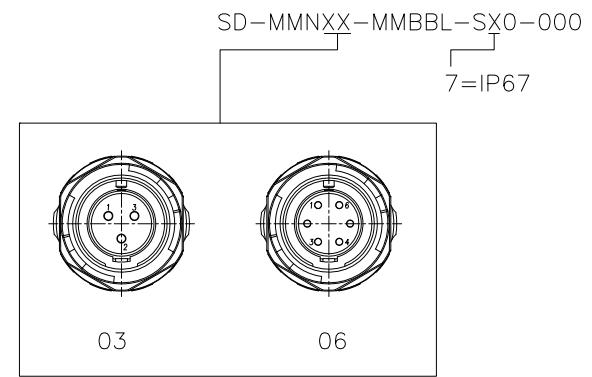
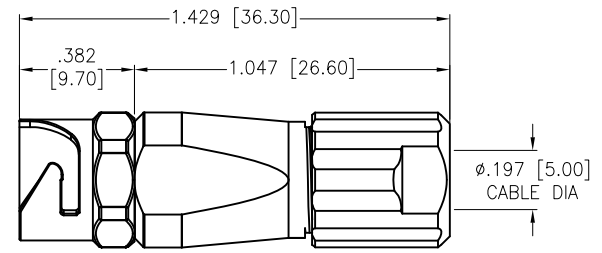
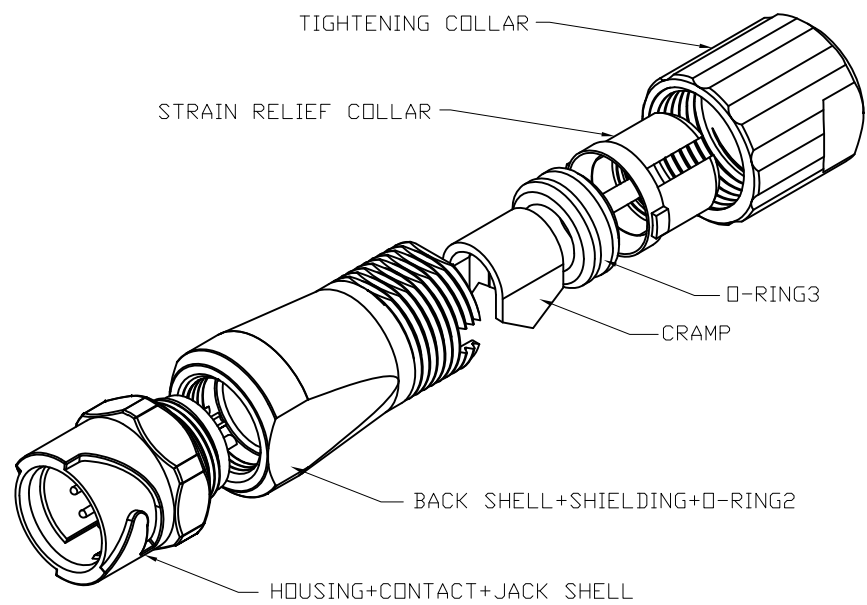


Rev	AWO #	Description	Date	Appr
-		RELEASED	11/23/18	

APPROVED: _____
DATE: _____ TITLE: _____



SPECIFICATIONS:

Material:
 Housing: PPS, rated UL 94V-0, Color: Black
 Contacts: Phosphor Bronze, Gold Flash plated
 Jack Shell: Zinc Alloy, Nickel plated
 Back shell: Zinc Alloy, Nickel plated
 Shielding: Phosphor Bronze, Nickel plated
 O-ring 2: EDPM
 Clamp: Brass, Nickel plated
 O-ring 3: NBR, Color: Black
 Strain relief collar: Nylon 66, rated UL 94V-0, Color: White
 Tightneing collar: PPS, Color: Brown
 Environmental:
 Lead free, RoHS compliant



UNLESS OTHERWISE SPECIFIED ALL DIMENSIONS ARE INCHES [MM] TOLERANCES: EXCEPT AS NOTED		
INCHES HOLES		
.X ± .10	Ø.X ± .10	
.XX ± .020	Ø.XX ± .015	
.XXX ± .015	Ø.XXX ± .010	
APPROVALS		DATE
DRAWN	HR	11/23/18
CHECKED	AC	11/23/18
APPROVED		

ADAM TECH INTERCONNECTS 909 Rahway Avenue, Union, NJ 07083
 Phone: 908-687-5000 Fax: 908-687-5710

TITLE: WATERPROOF CONNECTOR, MALE DIN, ASSEMBLY, LOCK TYPE, SOLDER

SIZE X	PART NO. SD-MMNXX-MMBBL-SX0-000	REV. -
REF: S00200T	SCALE: NTS	SHEET 1 OF 1