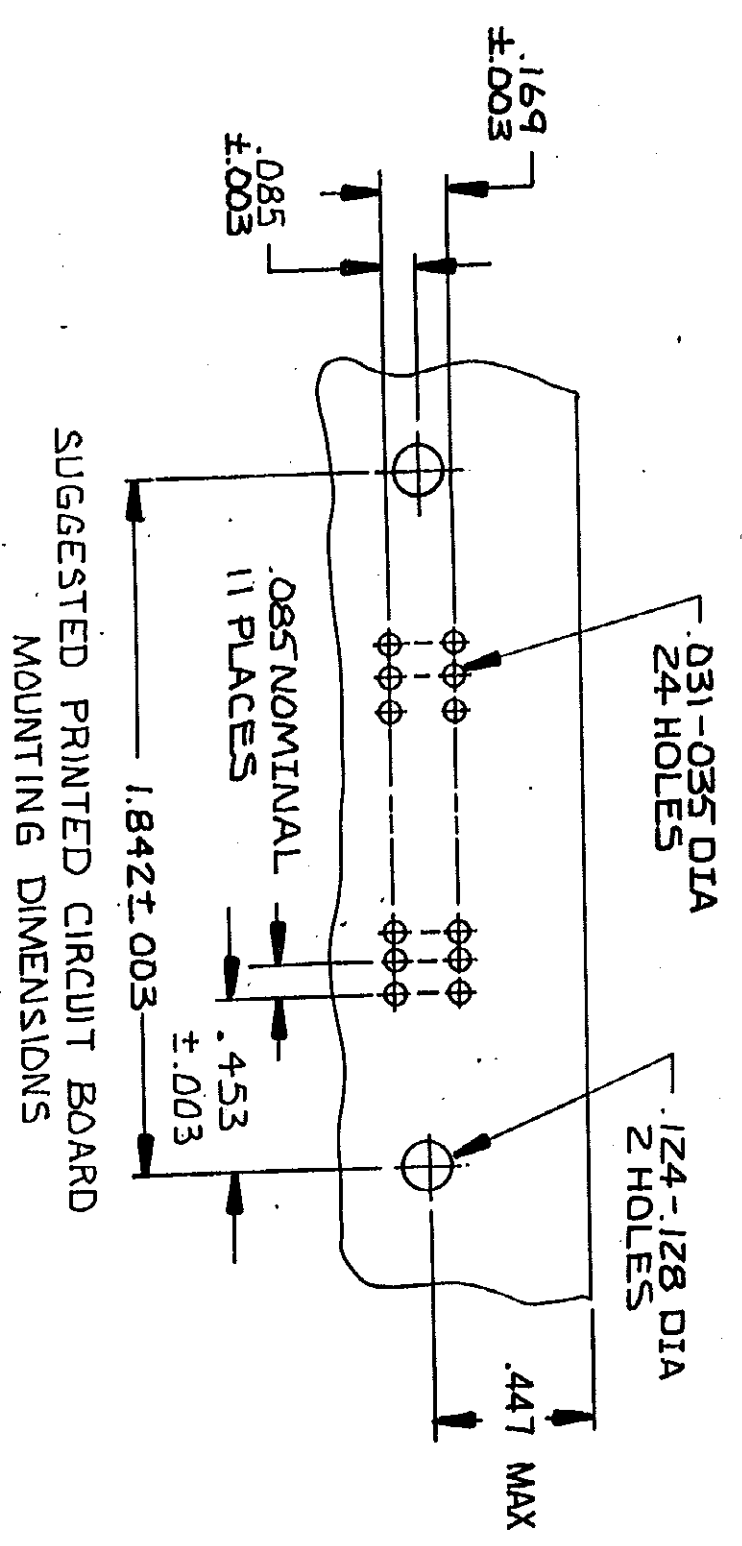
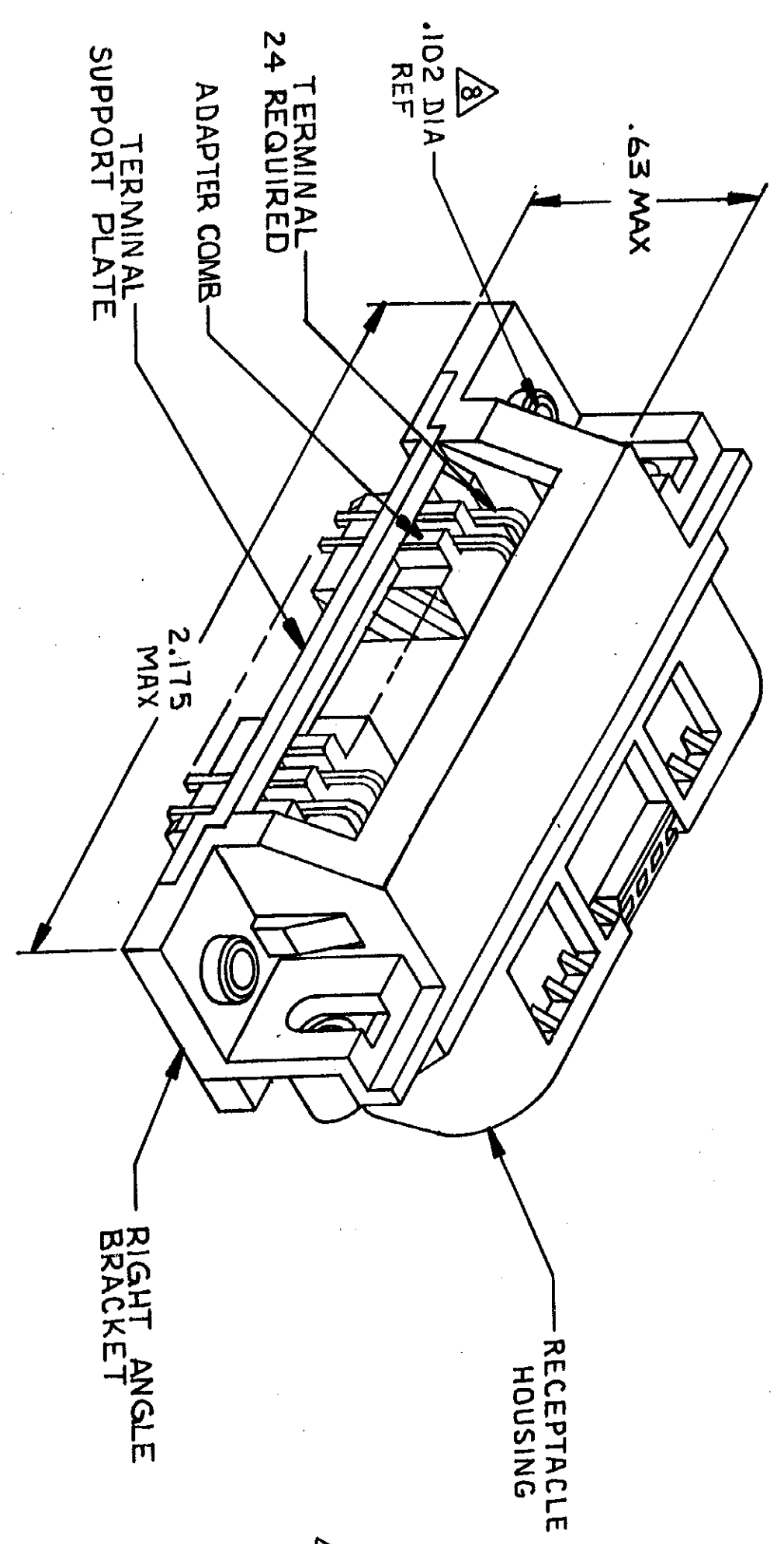
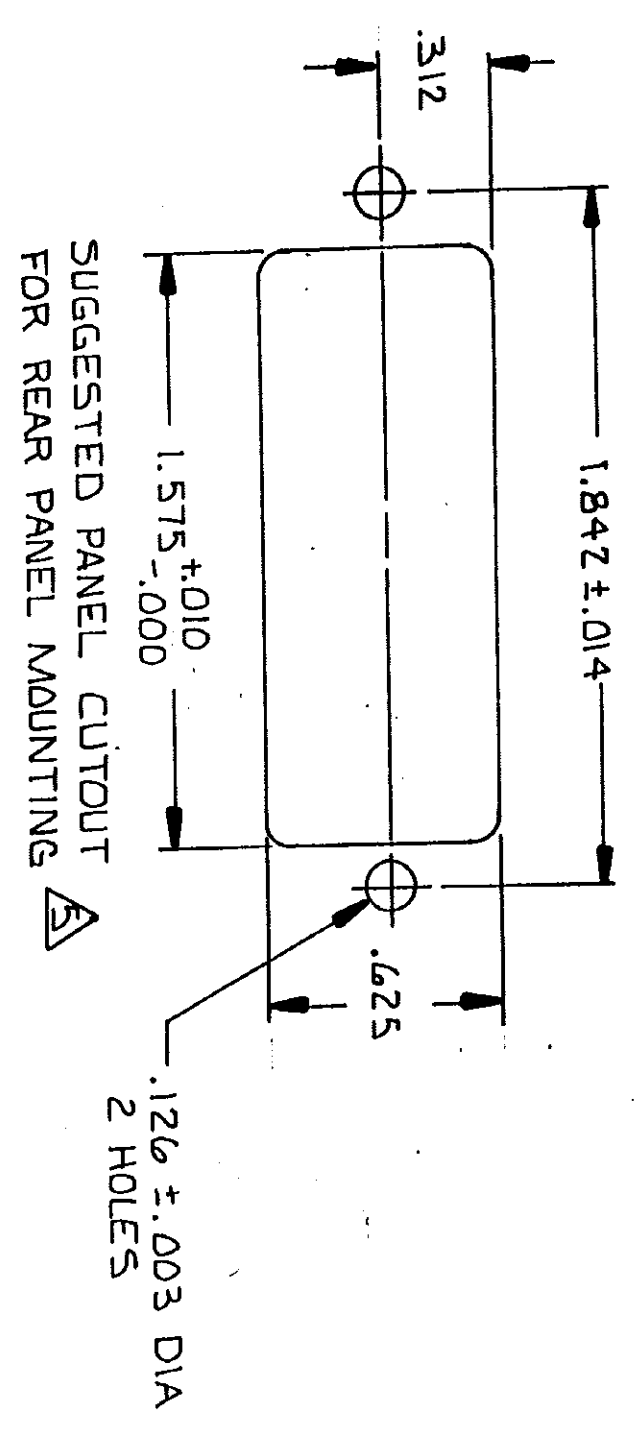
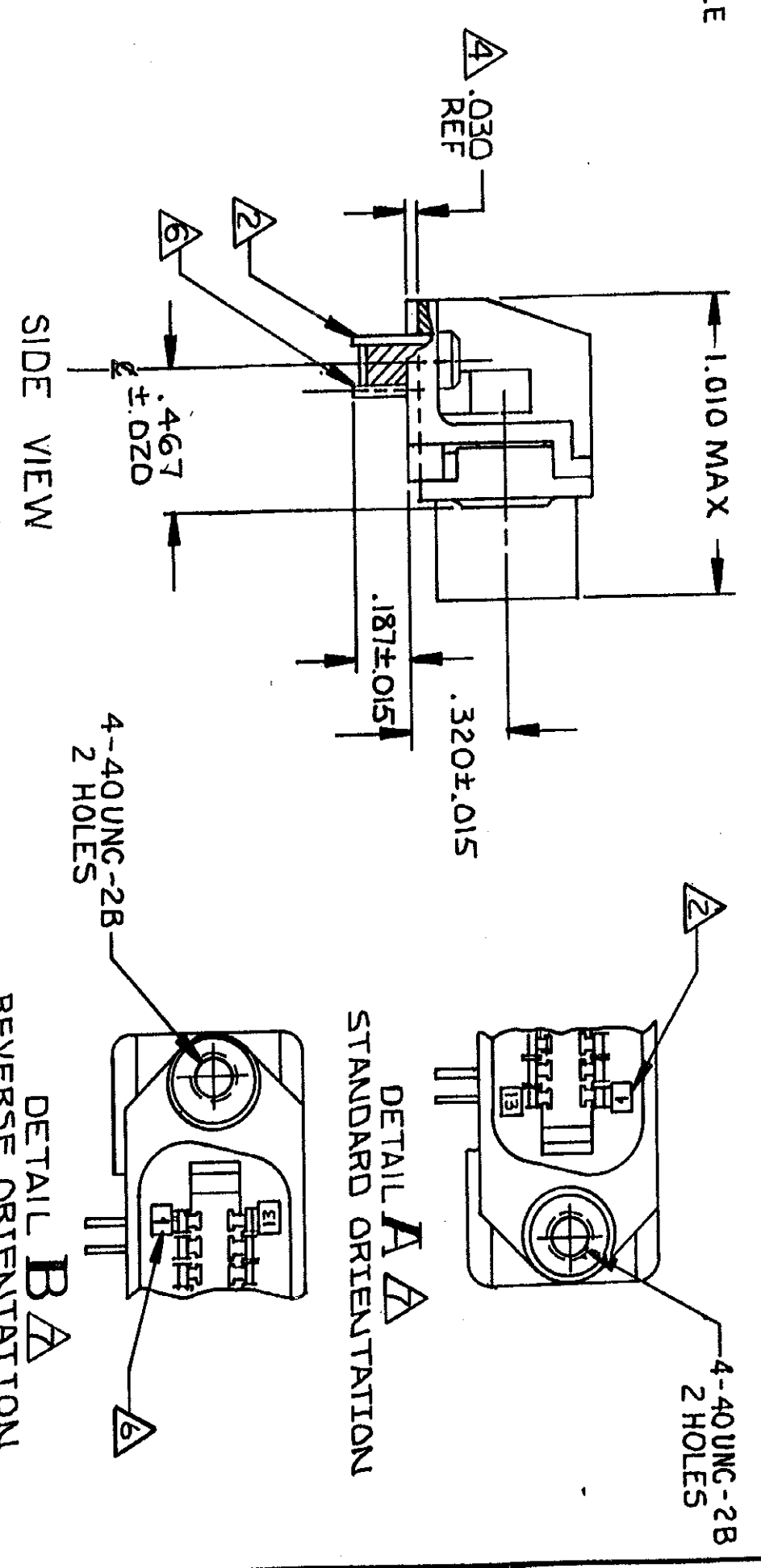


P		F		Z		N		L		T		R		I	
NO.	REV.	NO.	REV.	NO.	REV.	NO.	REV.	NO.	REV.	NO.	REV.	NO.	REV.	NO.	REV.
N		N		N		N		N		N		N		N	
OBSOLETE-3		4, FCN AA-5985		26/80		26/80		N.I.							
REVISIONS															
DESCRIPTION		DATE		APPROVED		DATE		APPROVED		DATE		APPROVED		DATE	



- △ MATERIAL: HOUSING BRACKET PLATE AND COMB-THERMOPLASTIC (BLACK) 94V-0 RATED. TERMINALS-TAILST-TIN LEAD OVER NICKEL PLATED HIGH STRENGTH COPPER ALLOY. MATING SURFACE-LOCALIZED GOLD OVER NICKEL PLATED HIGH STRENGTH COPPER ALLOY.
- △ TERMINAL 1 LOCATED IN THIS ROW FOR 552740-1.
- △ TERMINAL SUPPORT PLATE CLEARANCE FOR TERMINAL STRAIN RELIEF AND FLUX REMOVAL.
- △ PANEL THICKNESS RANGE: .062.
- △ TERMINAL 1 LOCATED IN THIS ROW FOR 552740-2.
- △ DETAILS A & B ARE VIEWED FROM MATING, SIDE OF RECEPTACLE ASSEMBLY.
- △ FOR USE WITH A NO. 4 BT TYPE SELF-TAPPING SCREW.



UNLESS OTHERWISE SPECIFIED DIMENSIONS ARE IN INCHES. TOLERANCES ON: DECIMALS ± .005 ANGLES		CONTRACT NO.		TYPE OF MOUNTING		DESCRIPTION		PART NO.	
MATERIAL		DR. Q. Holt 2-11-82		SELF-TAPPING △		SEE DETAIL B △		552740-2	
FINISH		CHK. MD Jones 2-25-82		SEE DETAIL A △		SEE DETAIL A △		552740-1	
APPROVED		APPROVED		NAME		ASSEMBLY, RECEPTACLE, 24 POSITION, RIGHT ANGLE, PRINTED CIRCUIT BOARD (CHAMP-LOK, THRU-BOLT & SELF-TAPPING)		DRAWING NO.	
APPROVED		APPROVED		APPROVED		APPROVED		552740	
OTHER APPD		OTHER APPD		SCALE		2/1		SHEET	
								1 OF 1	

552740