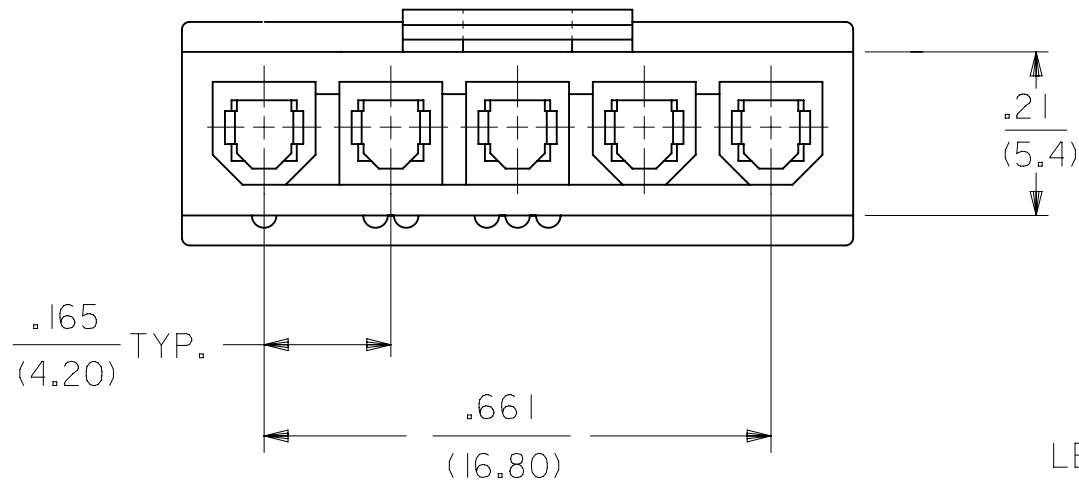
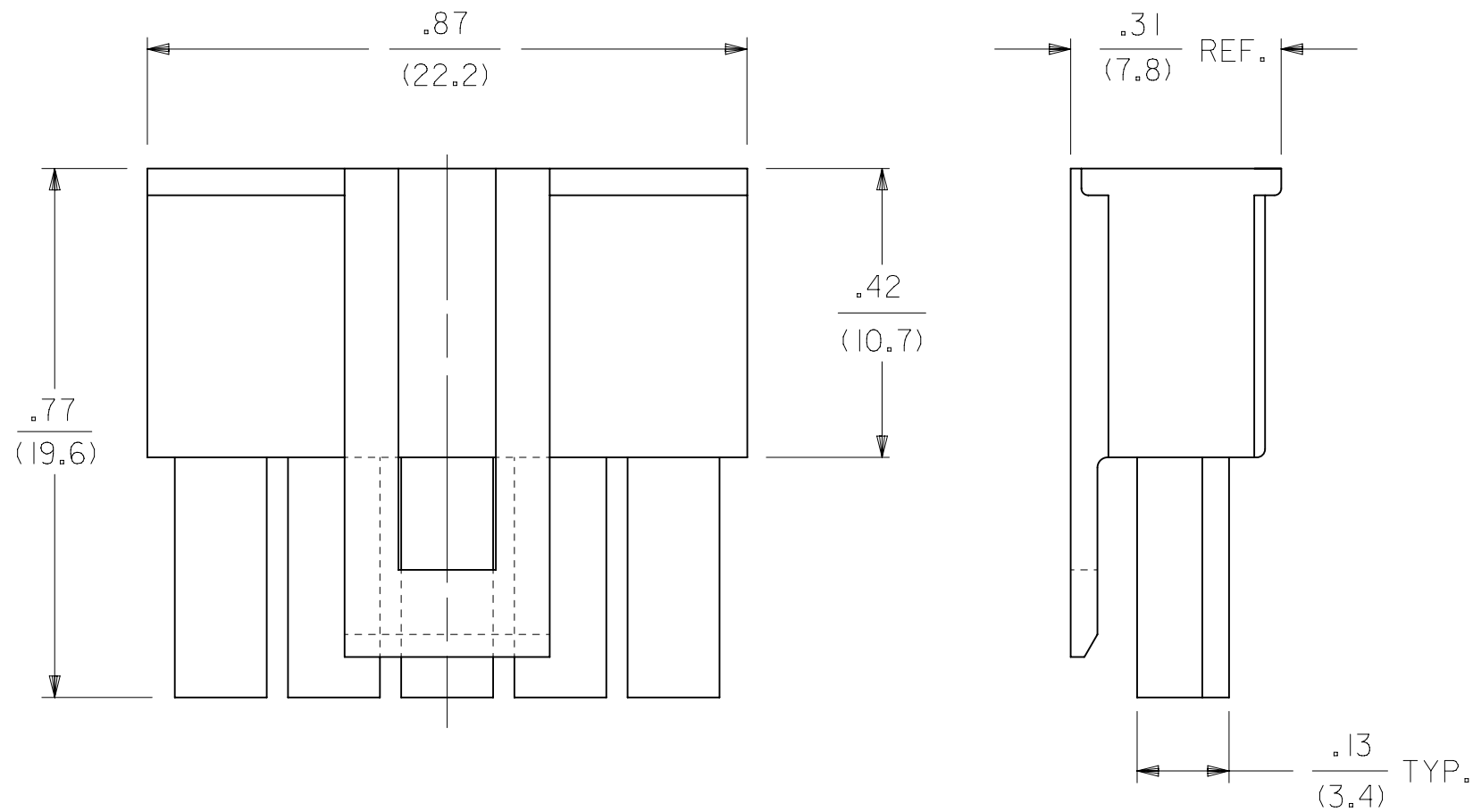


PART NO	ENG NO	CKT SIZE	MATERIAL SEE NOTE 1
03-04-4052	5557-05R4	5	94V-2
50-29-1509	5557-05R4-210	5	94V-0



NOTES

- 1) MATERIAL:
"BLANK": NYLON 6/6, 94V-2, COLOR: NATURAL.
210 : NYLON 6/6, 94V-0, COLOR: NATURAL.
- 2) FINISH: NOT APPLICABLE
- 3) PRODUCT SPECIFICATION: PS-5556-001
- 4) PACKAGING SPECIFICATION: PK-5557-002
- 5) PART MATES WITH MOLEX PLUG #5559-*, VERTICAL HEADER #5566-*, AND RIGHT-ANGLE HEADER #5569-* WITH PASSIVE LATCH.
- 6) PART IS FOR USE WITH MOLEX FEMALE TERMINAL #5556-*
- 7) PART CONFORMS TO CLASS "B" REQUIREMENTS OF COSMETIC SPECIFICATION PS-45499-002.
- 8) PART IS NOT DESIGNED FOR CURRENT SHARING.
- 9) CONNECTORS ARE NOT TO BE MATED OR UNMATED WHILE CIRCUITS ARE LIVE.
- 10) WIRES ARE TO BE DRESSED IN SUCH A MANNER TO ALLOW THE TERMINALS TO FLOAT FREELY IN THE POCKET.
- 11) TEXT ON PART IS FOR REFERENCE ONLY. TEXT AND TEXT LOCATION MAY VARY DEPENDING ON PART NUMBER AND/OR TOOL.

LEGEND

5557-05R4-*
 BASE NO. —
 CKT SIZE —
 PASSIVE LOCK RECEPT.
 (SINGLE ROW)
 MATERIAL OPTION:
 (SEE NOTE 1)

SYMBOLS		THIS DRAWING CONTAINS INFORMATION THAT IS PROPRIETARY TO MOLEX ELECTRONIC TECHNOLOGIES, LLC AND SHOULD NOT BE USED WITHOUT WRITTEN PERMISSION		CURRENT REV DESC: MIGRATE TO ECTR		molex	
DIMENSION UNITS		SCALE		EC NO: 172489			
IN/MM		4:1		DRWN: AZAHIROVIC 2018/01/12		MINI-FIT JR. RECEPTACLE 5 CKT SINGLE ROW PASSIVE LOCK VERSION	
GENERAL TOLERANCES (UNLESS SPECIFIED)				CHK'D: JBELL 2018/02/20			
4 PLACES ±		MM INCH		APPR: FSMITH 2018/02/22		PRODUCT CUSTOMER DRAWING	
3 PLACES ±		± 0.01		INITIAL REVISION:			
2 PLACES ±		± 0.25 ± 0.014		DRWN: GEP 2003/03/26		DOCUMENT NUMBER	
1 PLACE ±		± 0.36 ±		APPR: RAS 2003/03/26		55570504-SD	
0 PLACES ±		ANGULAR TOL ± 0.5°		DRAFT WHERE APPLICABLE MUST REMAIN WITHIN DIMENSIONS		DOC TYPE DOC PART REVISION	
THIRD ANGLE PROJECTION		DRAWING		SERIES		MATERIAL NUMBER CUSTOMER SHEET NUMBER	
B-SIZE		5557		SEE CHART		GENERAL MARKET 1 OF 1	