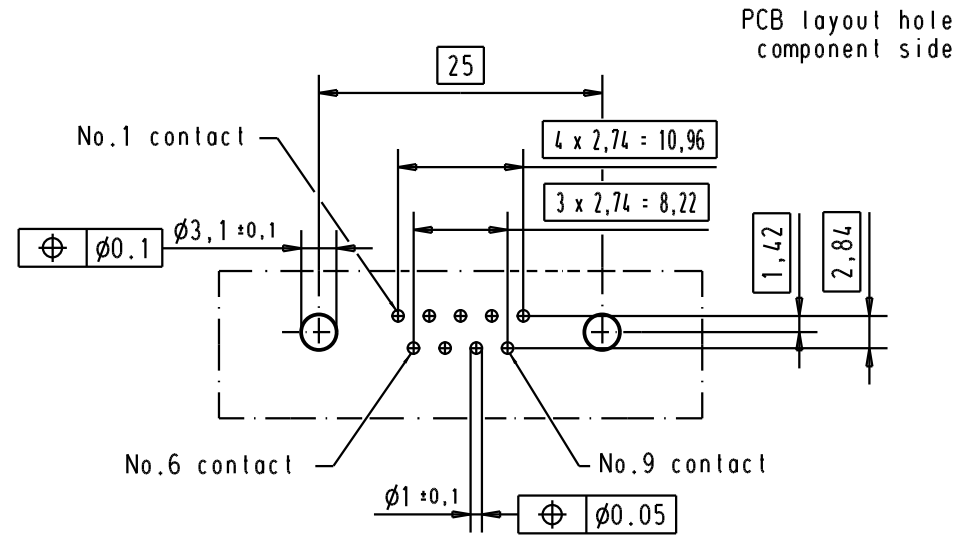
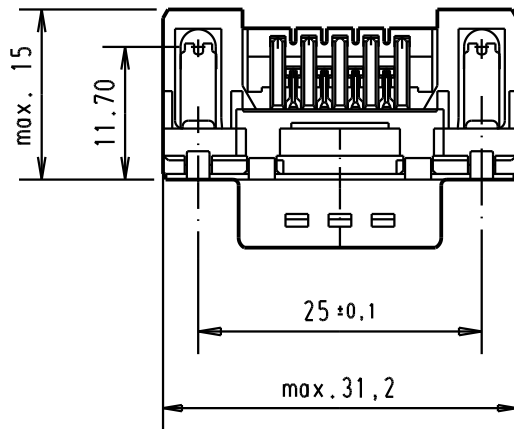
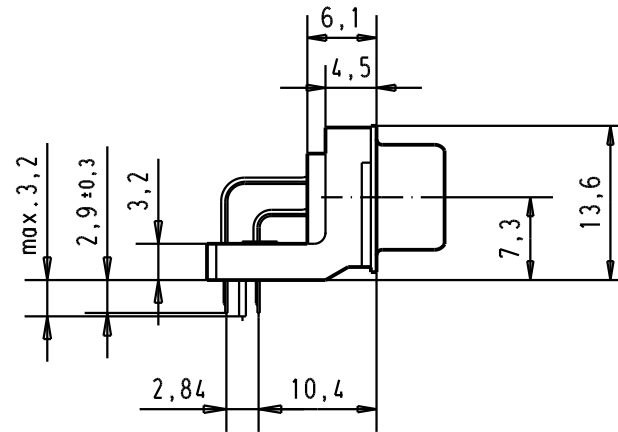
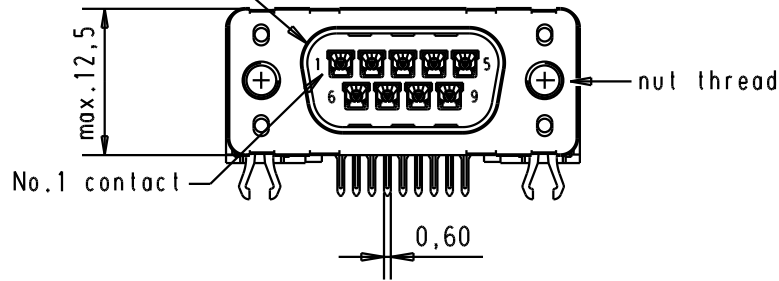




Mating face according to : MIL-C-24308 / DIN 41652 / CECC 75301-802



PCB layout hole component side

Connector retention and insertion forces on the PCB = 25 / 80 newtons

Part number	Nut thread	Performance level	Mod.	Dat.	Name	Dat.	Name	 All Dim. in mm Orig. Size DIN A 4		D-Sub, male, standard angle, 09 poles, with solder pin, nut, grounding board lock	Maßstab/ Scale  1.5:1
09 65 163 3811	M3	1									
09 65 163 6811	M3	2				Detail.	18/dec/00	ALSPACE			
09 65 163 7811	M3	3	31892	22/04/04	JH	Insp.					
09 65 163 3812	4-40 UNC	1	31084	04/09/02	YT	Stand.					
09 65 163 6812	4-40 UNC	2	29689	02/07/01	AA						
09 65 163 7812	4-40 UNC	3	27960	18/dec/00	ALSPACE						
						HARTING EURL F-95972 Paris				TB 0965163x81x	Blatt/ Page 2
Sub.											