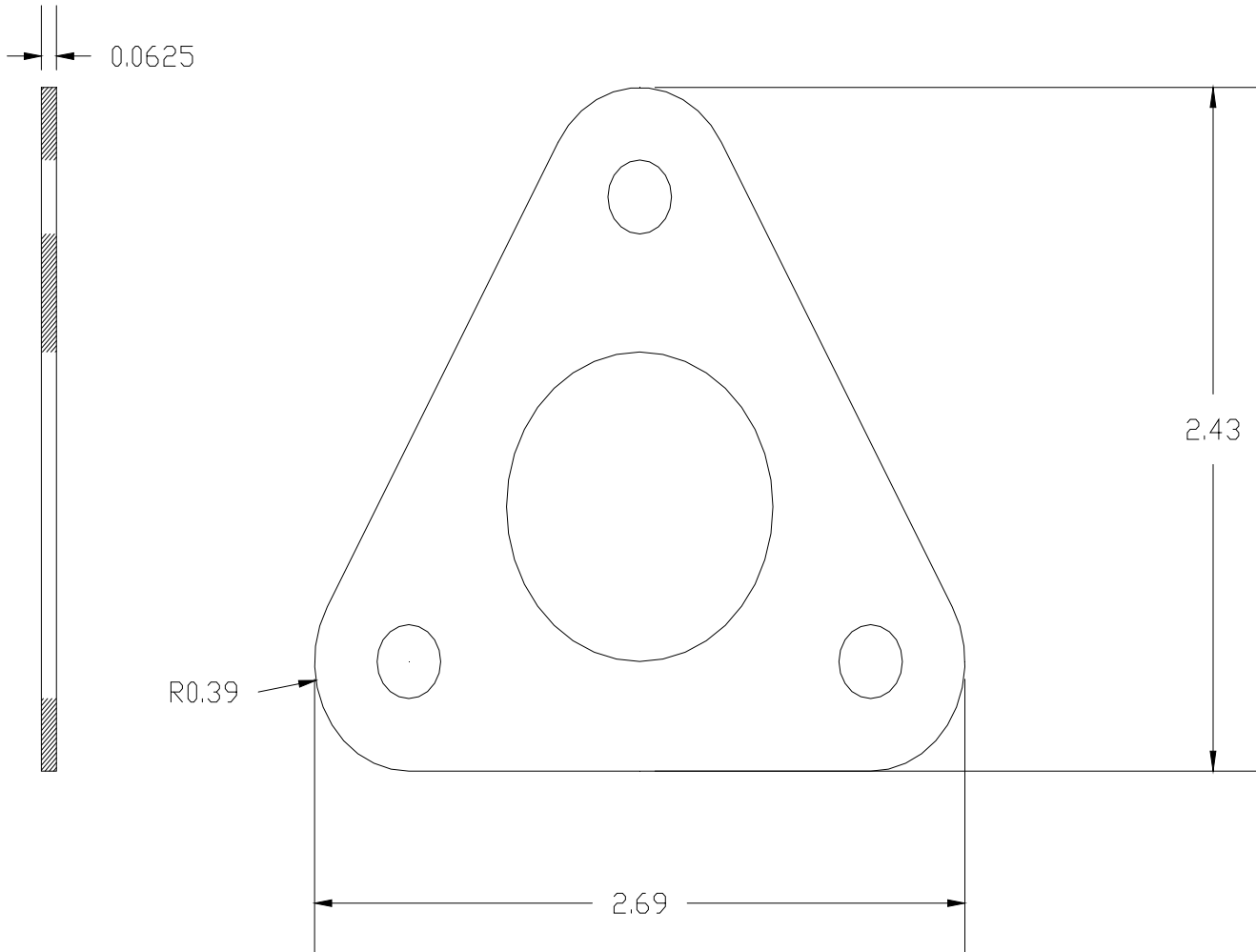


Neoprene Gasket

Helps seal panel hole to achieve NEMA Type 3R, 4X, & 12 application requirements



Dimensions: inches

Assembly Procedure

Remove tape cover and place directly onto surface of Mounting Bracket of unit.
Material: Neoprene/EPDM/SBR Economy Blend 4216-S with ab Acrylic PSA tape applied to one side.

UL50, C22.2 No.94, NEMA Type 3R, 4X, & 12, and IP66 approved, RoHS compliant, Gasket.