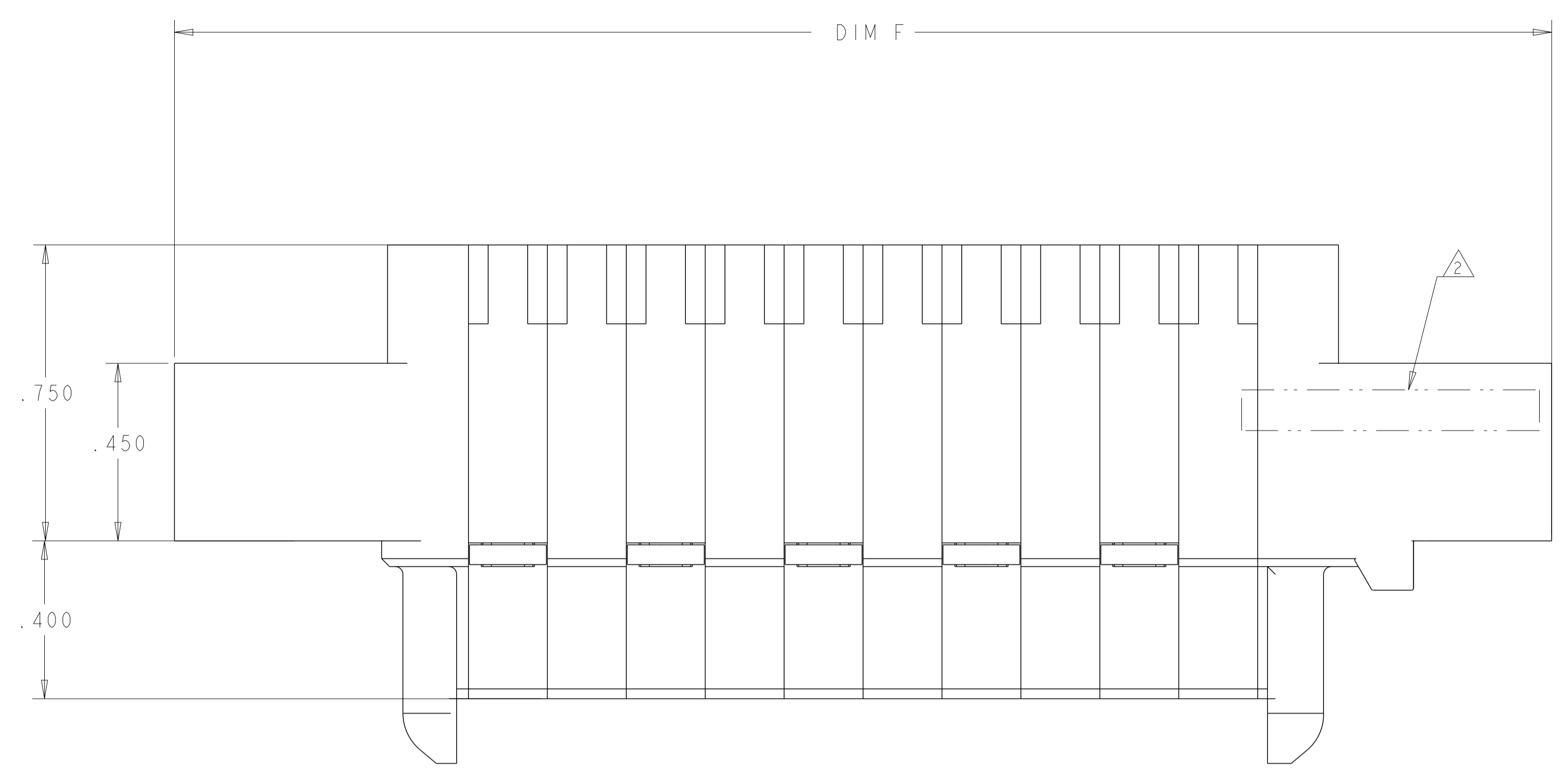
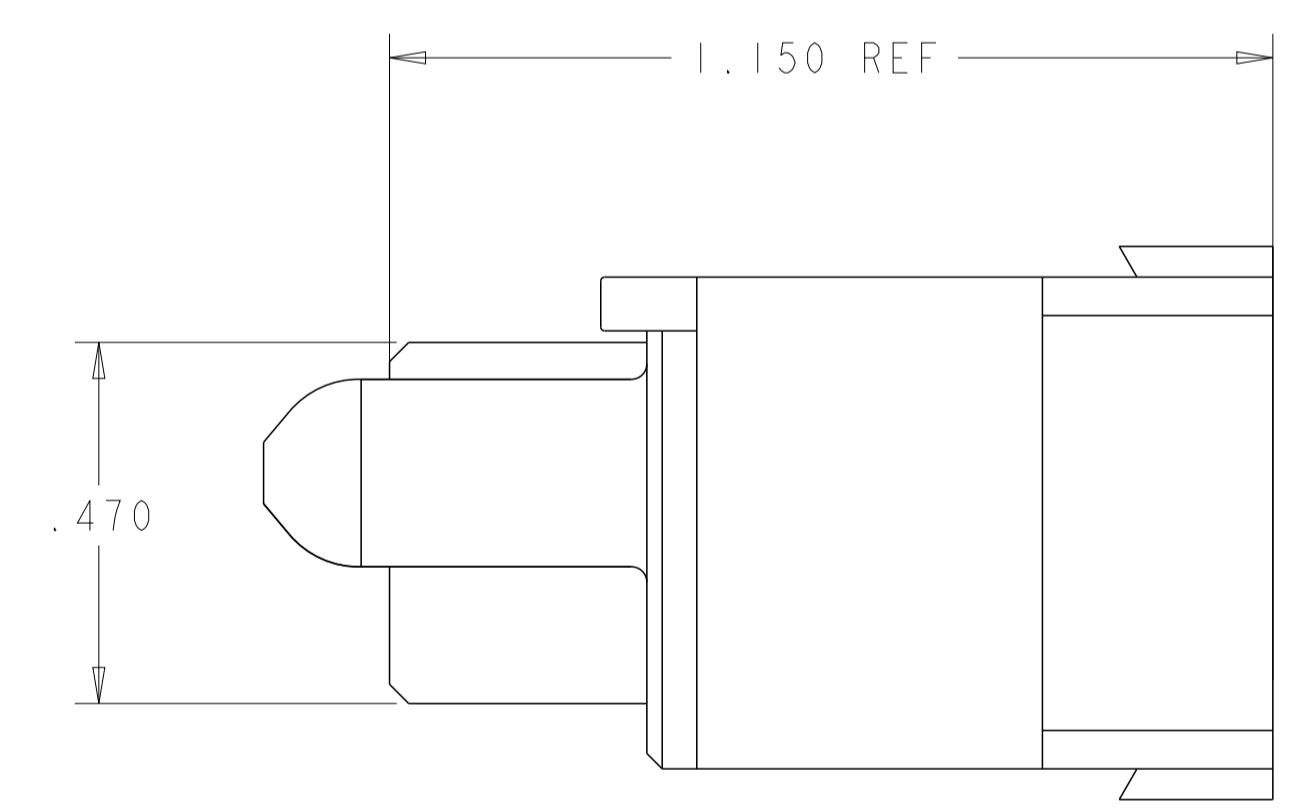
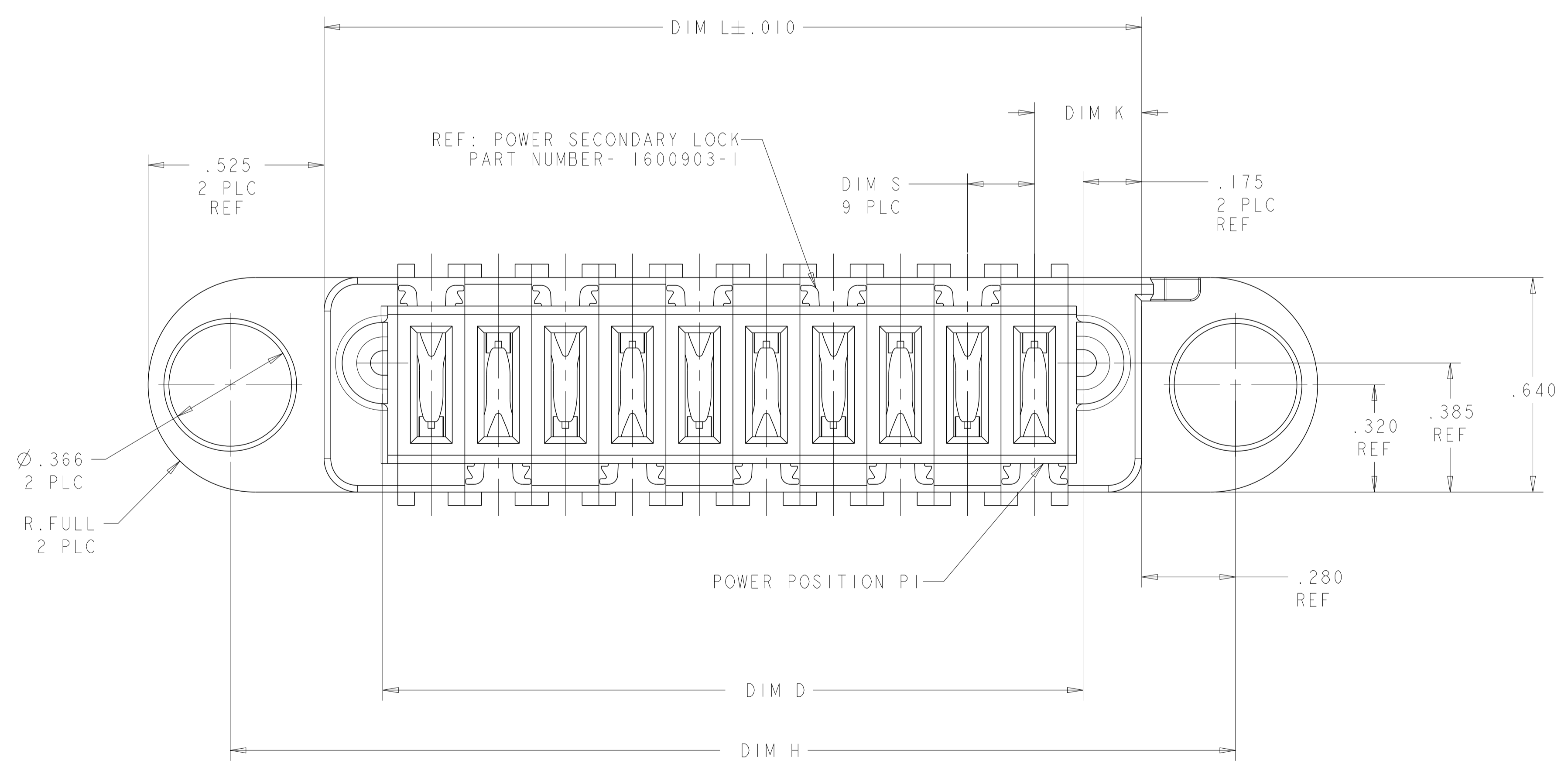


LOC	DIST	REVISIONS			
P	LTN	DESCRIPTION	DATE	DWN	APVD
C		ADDED NEW PN 1-8, 1-9	21JUN2023	DP	HW



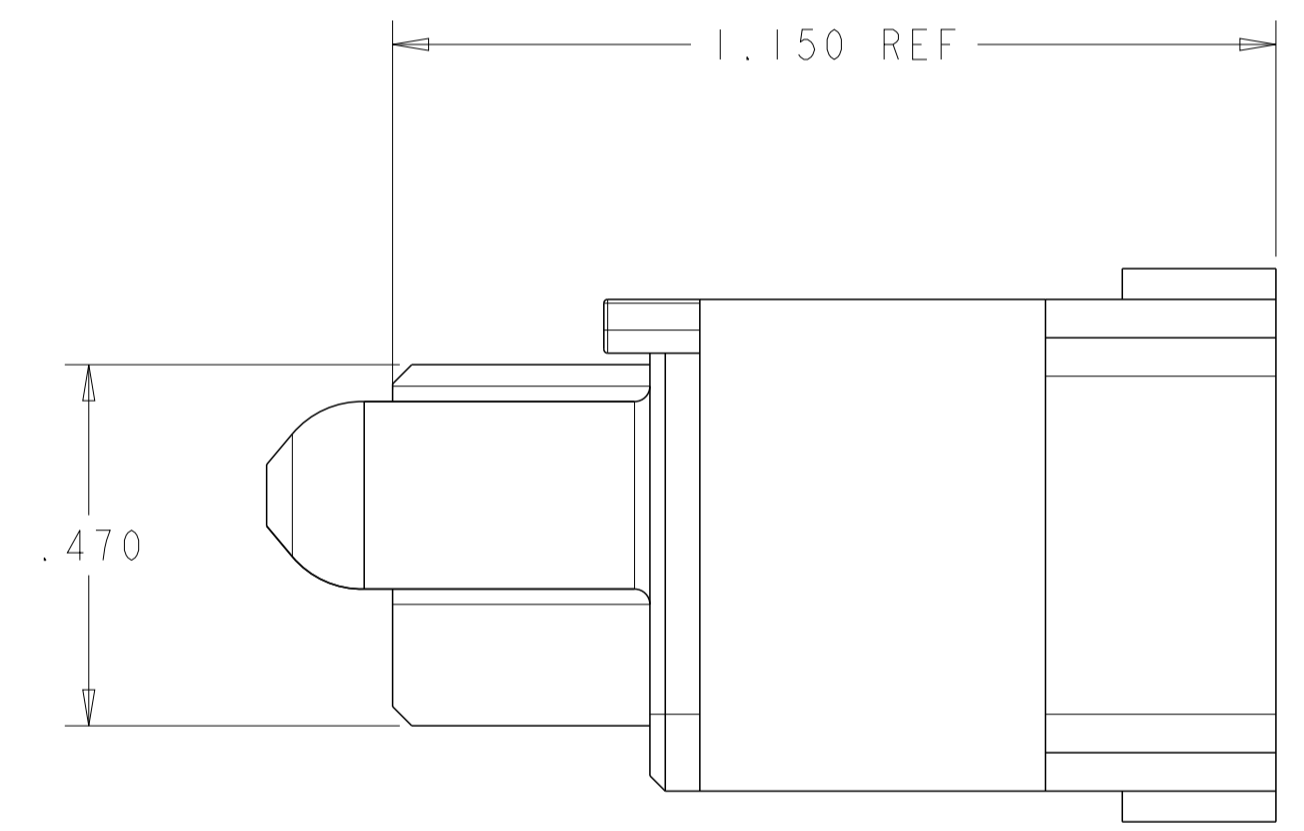
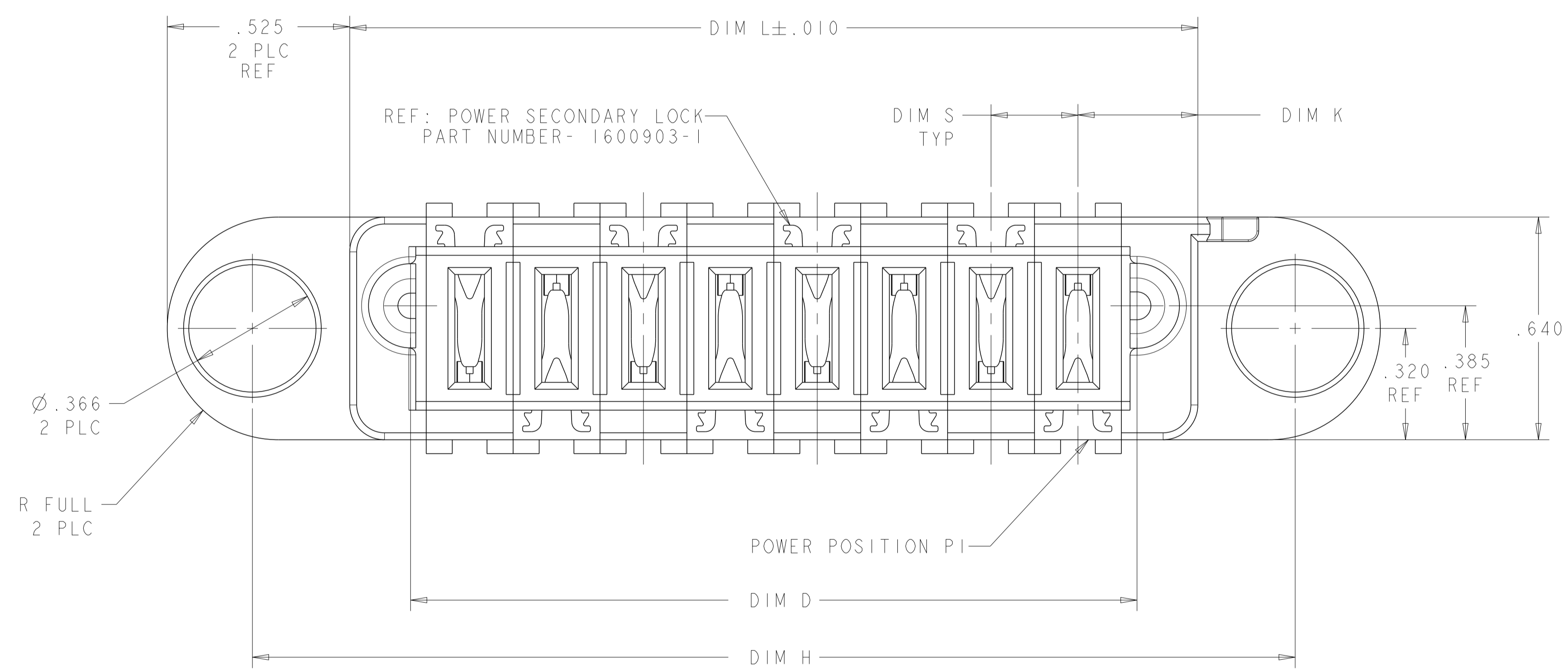
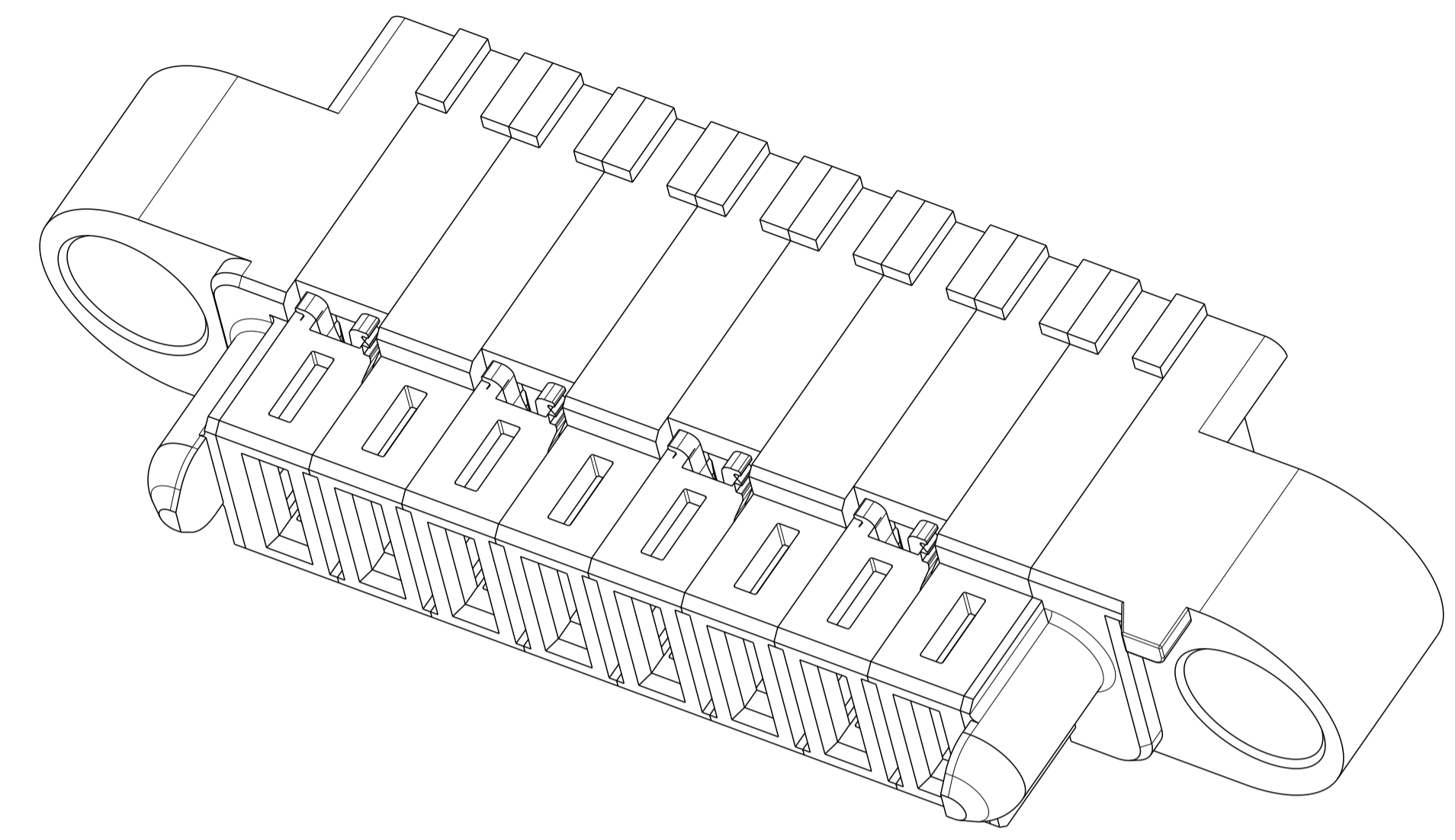
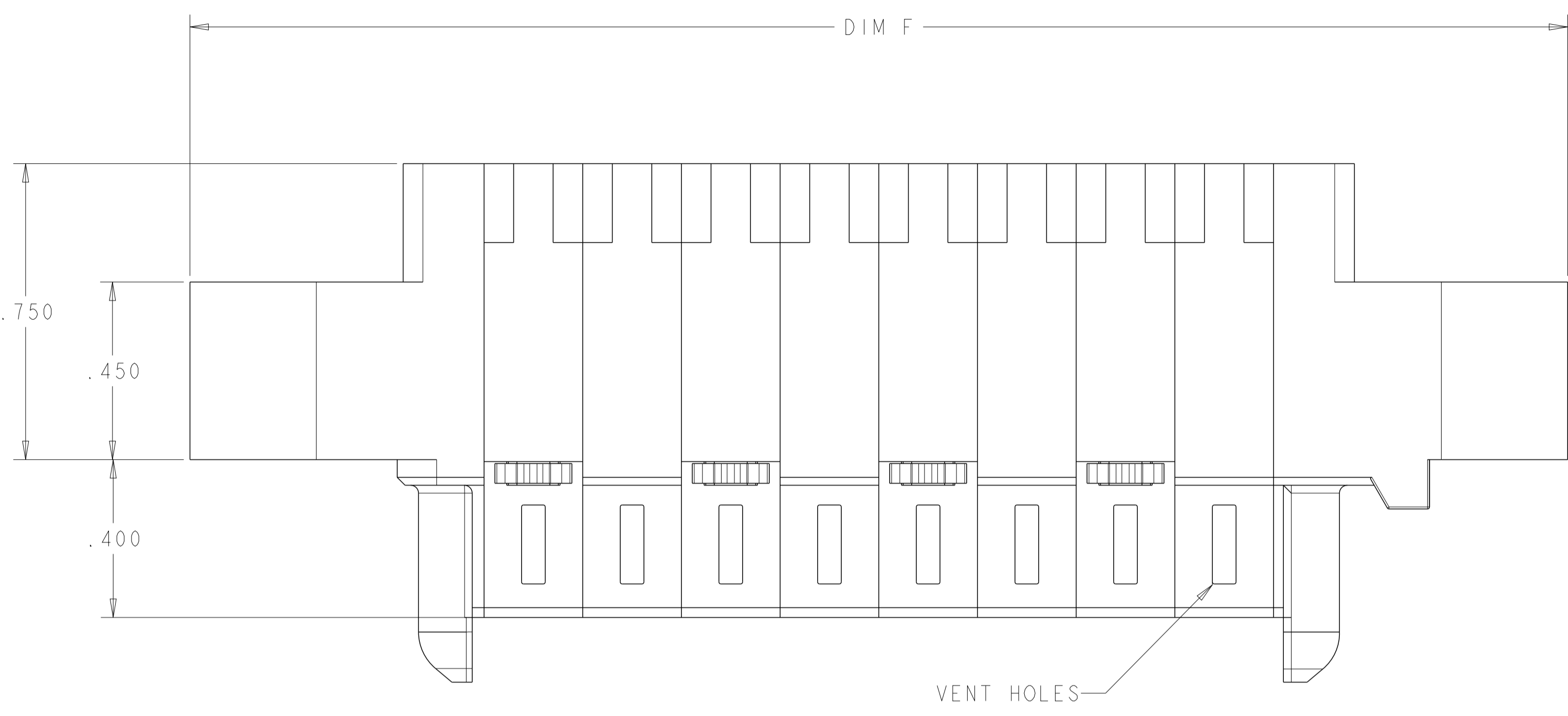
- △ OPTIONAL CENTER MODULE.
- △ COMPANY TRADEMARK, PART NUMBER, AND DATE CODE TO BE MARKED IN AREA SHOWN PARTS UNDER 2.00 LONG MAY BE MARKED ON BOTH SIDES.
- △ MATERIAL: THERMO PLASTIC, UL94 V-0.
- △ DATUM LOCATIONS AND BASIC DIMENSIONS TO BE ESTABLISHED BY THE CUSTOMER.
- △ BULKHEAD THICKNESS RANGE: .031 - .100
- △ CONNECTOR MATED TO PANEL FROM OPPOSITE SIDE.
- △ NO BURRS ALLOWED ON OPPOSITE (MATING) SIDE.
- △ CONNECTOR KEEP OUT ZONE.
- △ MOUNT CONNECTOR WITH TYCO HARDWARE KIT (1600914-7) FOR .050 [1.27mm] MIN RADIAL FLOAT.
- △ FOR THE CONFIGURATION WITH VENT, PLEASE REFER TO SHEET 2
- △ FOR VARIABLE DIMENSIONS, PLEASE SEE PART TABLE



10P	1892901-1
DESCRIPTION	PART NUMBER

THIS DRAWING IS A CONTROLLED DOCUMENT.		DWN C. ZHOU CHK S. ZHAO	27JUL2009	 TE Connectivity
DIMENSIONS: INCHES		APVD S. ZHAO		
TOLERANCES UNLESS OTHERWISE SPECIFIED: 0 PLC ±. 1 PLC ±.01 2 PLC ±.01 3 PLC ±.005 4 PLC ±.0020 ANGLES ±.2°		NAME S. ZHAO	PRODUCT SPEC 108-2175	PANEL MOUNT CABLE RECEPTACLE HOUSING WITH SLIM GUIDES MULTI-BEAM XLE
MATERIAL: 3 FINISH:		APPLICATION SPEC 114-13112	RESTRICTED TO A100779C=1892901	
Customer Drawing		WEIGHT	SCALE 4:1	SHEET 1 OF 4

LOC		DIST		REVISIONS			
P	LTN	DATE	DMN	APVD	DESCRIPTION		
-	-	-	-	-	SEE SHEET 1		



△ FOR THE CONFIGURATION WITH VENT HOLES

3.400	2.490	.300	.370	2.840	3.890	8ACP(8AWG)	1-1892901-9
2.200	1.290	.300	.370	1.640	2.690	4ACP(8AWG)	1-1892901-8
2.550	1.640	.400	.395	1.990	3.040	4P(10AWG)	1-1892901-7
5.200	4.290	.300	.370	4.640	5.690	14ACP(8AWG)	1-1892901-6
5.200	4.290	.300	.370	4.640	5.690	14ACP(8AWG)	1-1892901-5
2.150	1.240	.300	.345	1.590	2.640	4ACP(8AWG)	1-1892901-1
2.700	1.790	.350	.370	2.140	3.190	5ACP(8AWG)	1-1892901-0
2.890	1.980	.115	.3025	2.330	3.380	16LP(14AWG)	1892901-9
3.650	2.740	△	.345	3.090	4.140	11P	1892901-8 △
2.950	2.040	.425	.345	2.390	3.440	5P	1892901-7
1.850	.940	.300	.345	1.290	2.340	3ACP	1892901-6
3.550	2.640	.375	.370	2.990	4.040	7ACP	1892901-5
2.375	1.465	.375	.345	1.815	2.865	4P	1892901-4
1.850	.940	.300	.345	1.290	2.340	3ACP	1892901-3
3.000	2.090	.250	.345	2.440	3.490	8P	1892901-2
3.000	2.090	.200	.320	2.440	3.490	10P	1892901-1
DIM H	DIM D	DIM S	DIM K	DIM L	DIM F	DESCRIPTION	PART NUMBER

THIS DRAWING IS A CONTROLLED DOCUMENT.

DMN: C. ZHOU 27JUL2009
 CHK: S. ZHAO 27JUL2009

DIMENSIONS: INCHES
 TOLERANCES UNLESS OTHERWISE SPECIFIED:
 0 PLC ±.
 1 PLC ±.01
 2 PLC ±.01
 3 PLC ±.005
 4 PLC ±.002
 ANGLES ±.020

MATERIAL: .
 FINISH: .

Customer Drawing

APVD: S. ZHAO
 PRODUCT SPEC: 108-2175
 APPLICATION SPEC: 114-13112
 WEIGHT: .

NAME: PANEL MOUNT CABLE RECEPTACLE HOUSING WITH SLIM GUIDES MULTI-BEAM XLE
 SIZE: A1
 CAGE CODE: 100779
 DRAWING NO: 1892901
 RESTRICTED TO: .

SCALE: 4:1
 SHEET: 2 OF 4
 REV: C

LOC	DIST	REVISIONS					
ES	00	P	LTN	DESCRIPTION	DATE	DWN	APVD
-	-	-	-	SEE SHEET 1	-	-	-

REFERENCE POWER WIRE CHART - RM & RA CONTACTS		
HOUSING MODULE	CONTACT	INSULATION DIAMETER RANGE
.300	8-10 1600960 REF	[.176-.272]
.250	8-10 1600960 REF	[.176-.203]
	12-14 1600961 REF	[.156-.176]
.200	12-14 1600961 REF	[.120-.156]
.100	22-26 5531216-3 REF	[.036-.069]

PART NUMBER	ROWS	POWER											
		P10	P9	P8	P7	P6	P5	P4	P3	P2	P1		
1892901-1	D C B A	○	RM	RM	RM	RM	RA	RA	RM	RM	RM	RM	○
10P													

REFERENCE ONLY FOR 1892901-1 POWER WIRE(300V) CHART - RM & RA CONTACTS		
HOUSING MODULE	CONTACT	INSULATION DIAMETER RANGE
.200	10 1600961 REF	[.175-.190]

PART NUMBER	ROWS	POWER								
		P8	P7	P6	P5	P4	P3	P2	P1	
1892901-2	D C B A	○	RM	RM	RM	RM	RM	RM	RM	○
8P										

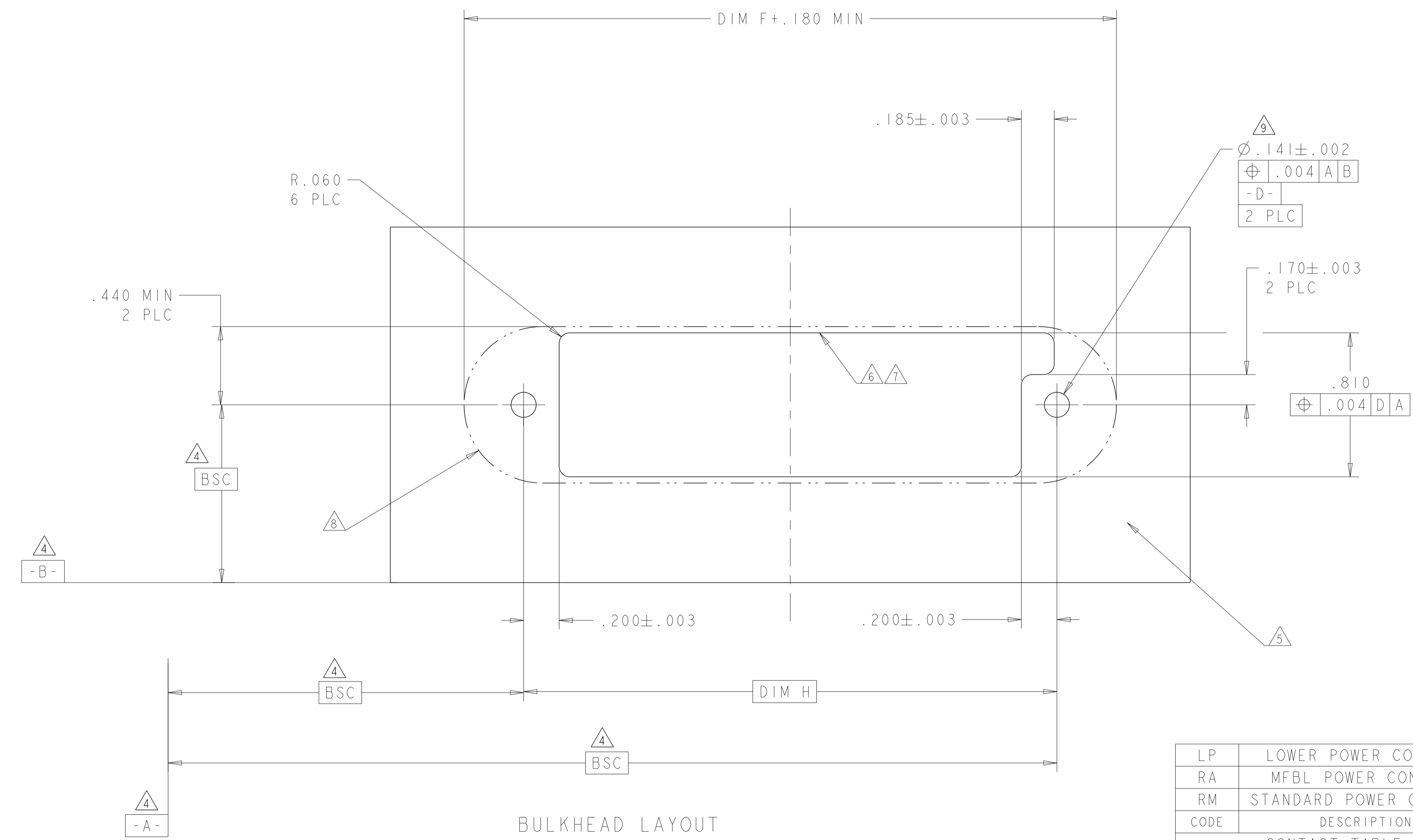
PART NUMBER	ROWS	POWER						
		P5	P4	P3	P2	P1		
1892901-7	D C B A	○	RM	RM	RM	RM	RM	○
5P								

PART NUMBER	ROWS	POWER				
		P3	P2	P1		
1892901-3	D C B A	○	RM	RM	RM	○
3 ACP						

PART NUMBER	ROWS	POWER					
		P4	P3	P2	P1		
1892901-4	D C B A	○	RM	RM	RM	RA	○
4P							

PART NUMBER	ROWS	POWER							
		P7	P6	P5	P4	P3	P2	P1	
1892901-5	D C B A	○	RA	RM	RM	RM	RM	RM	○
7ACP									

PART NUMBER	ROWS	POWER				
		P3	P2	P1		
1892901-6	D C B A	○	RM	RA	RM	○
3 ACP						



LP	LOWER POWER CONTACT
RA	MFBL POWER CONTACT
RM	STANDARD POWER CONTACT
CODE	DESCRIPTION
CONTACT TABLE	

THIS DRAWING IS A CONTROLLED DOCUMENT.

DIMENSIONS: INCHES	TOLERANCES UNLESS OTHERWISE SPECIFIED:	DWN C. ZHOU 27JUL2009	CHK S. ZHAO 27JUL2009
0 PLC ±.01	1 PLC ±.01	APVD S. ZHAO	NAME
2 PLC ±.01	3 PLC ±.005	PRODUCT SPEC	108-2175
4 PLC ±.0020	ANGLES ±.020	APPLICATION SPEC	114-13112
MATERIAL	FINISH	WEIGHT	Customer Drawing

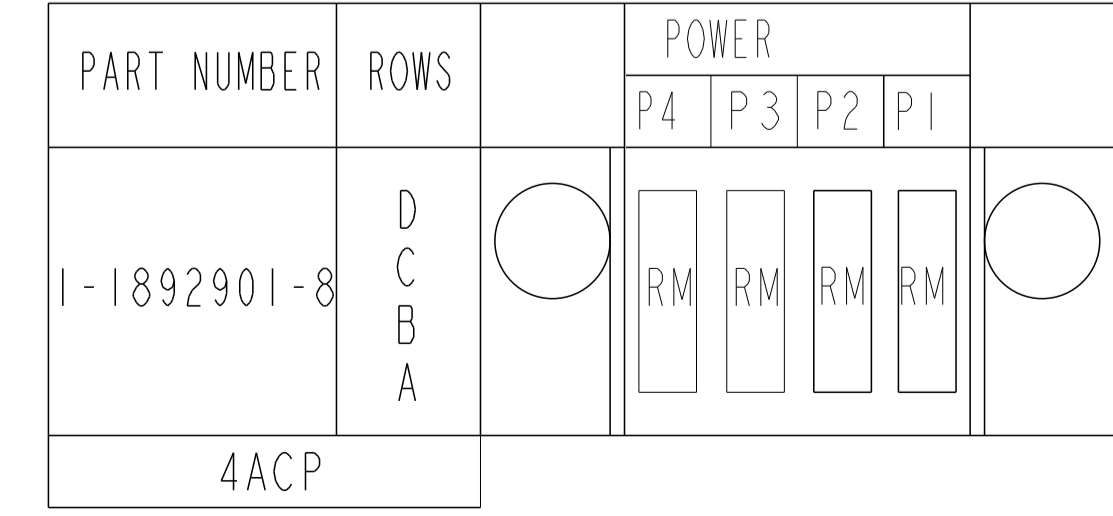
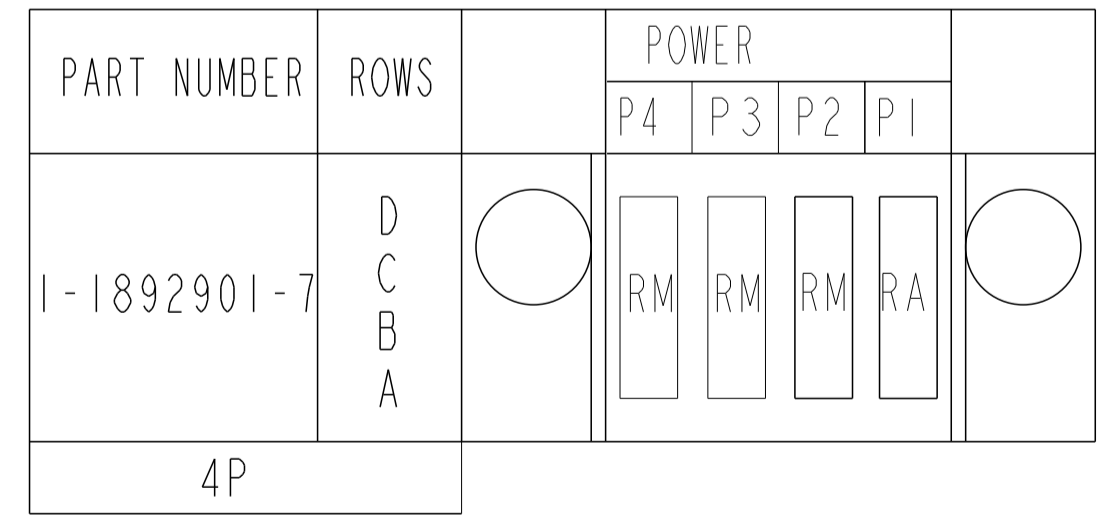
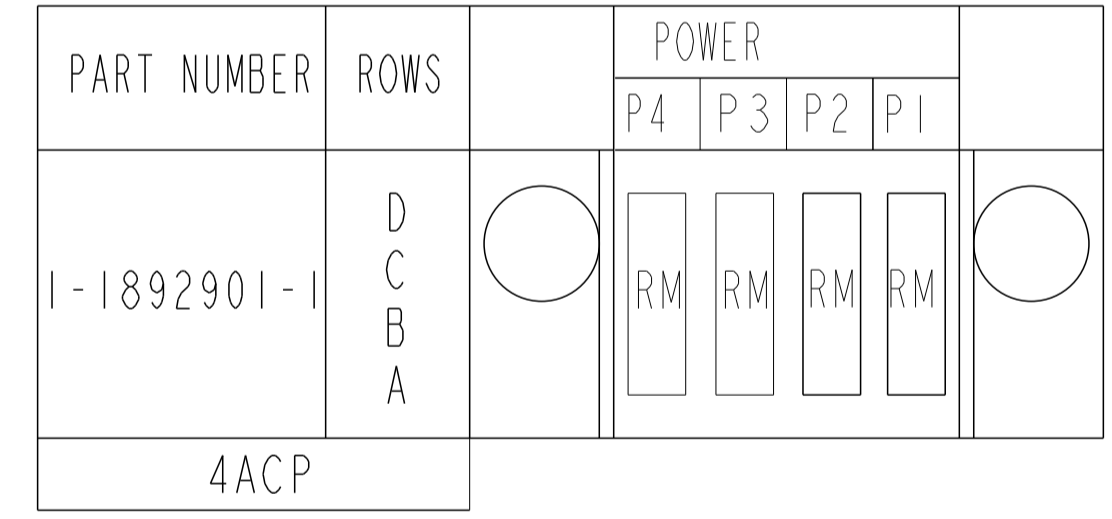
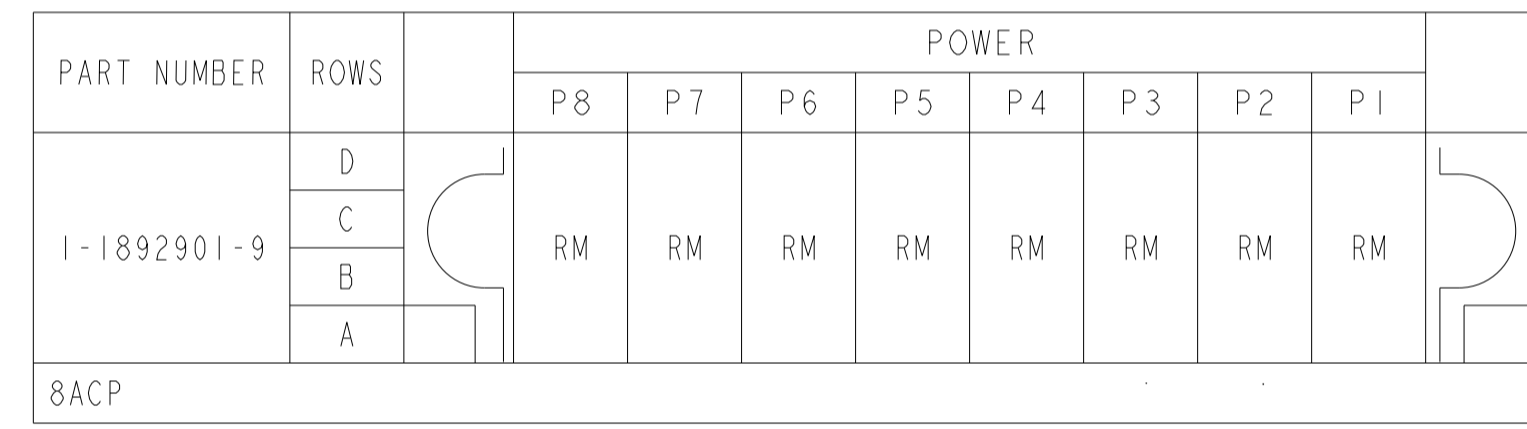
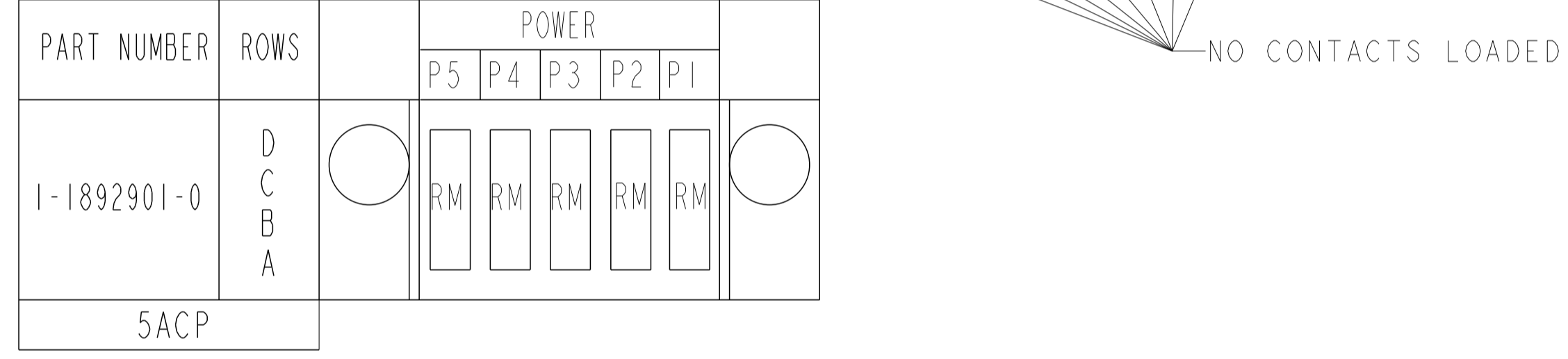
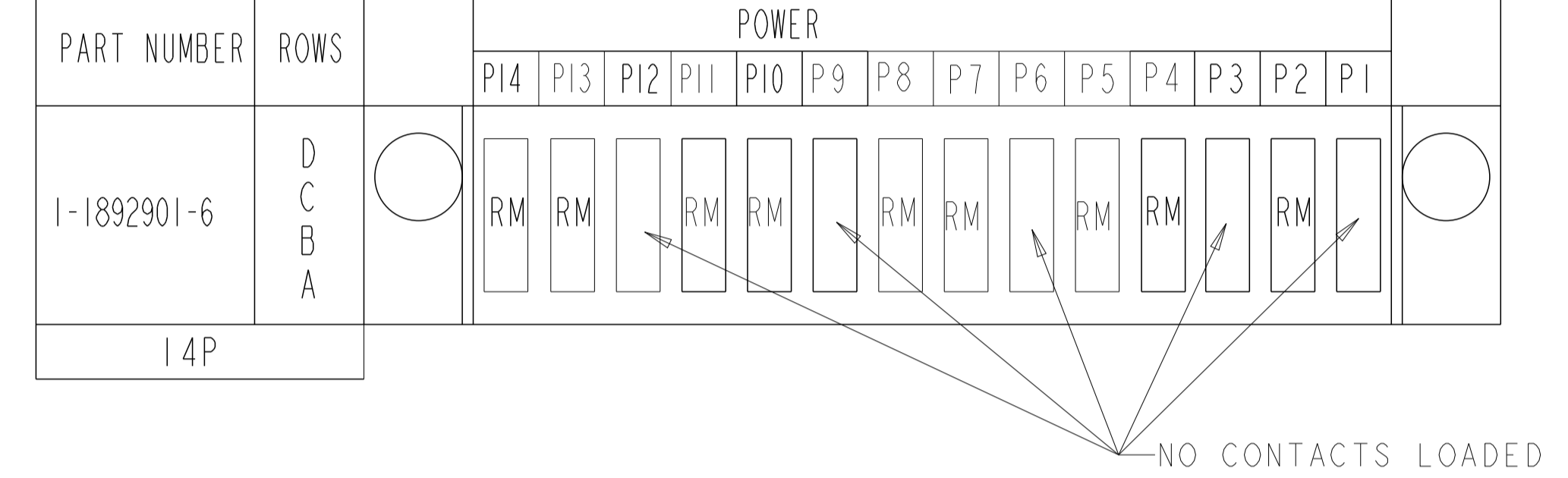
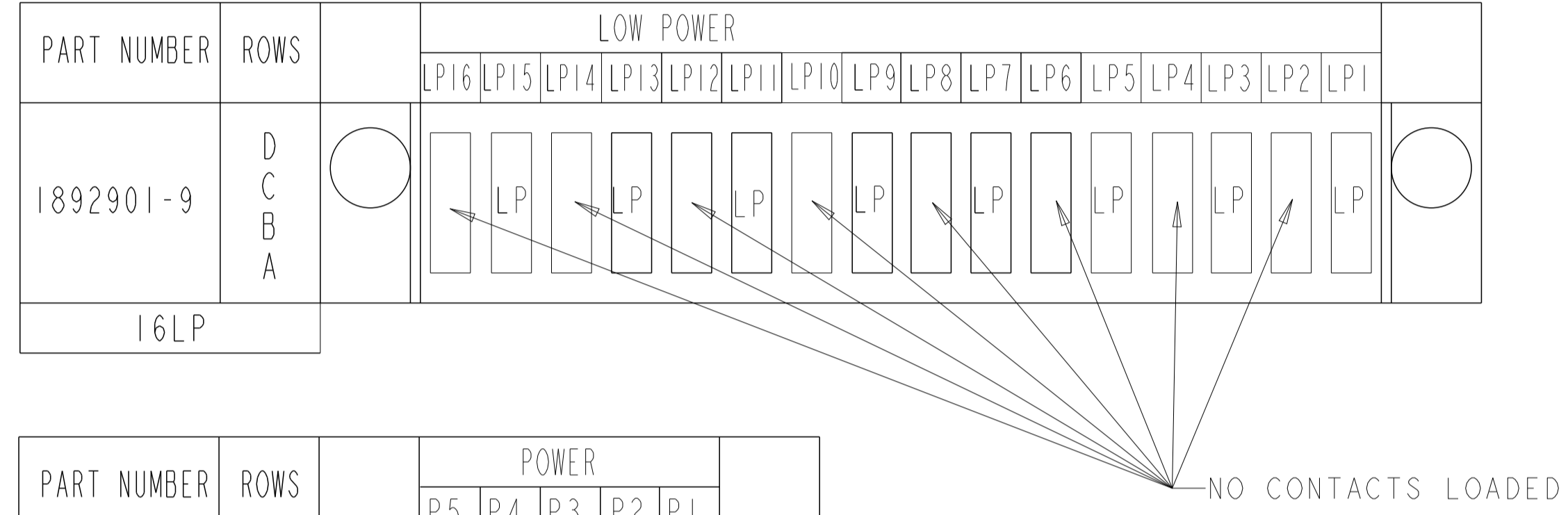
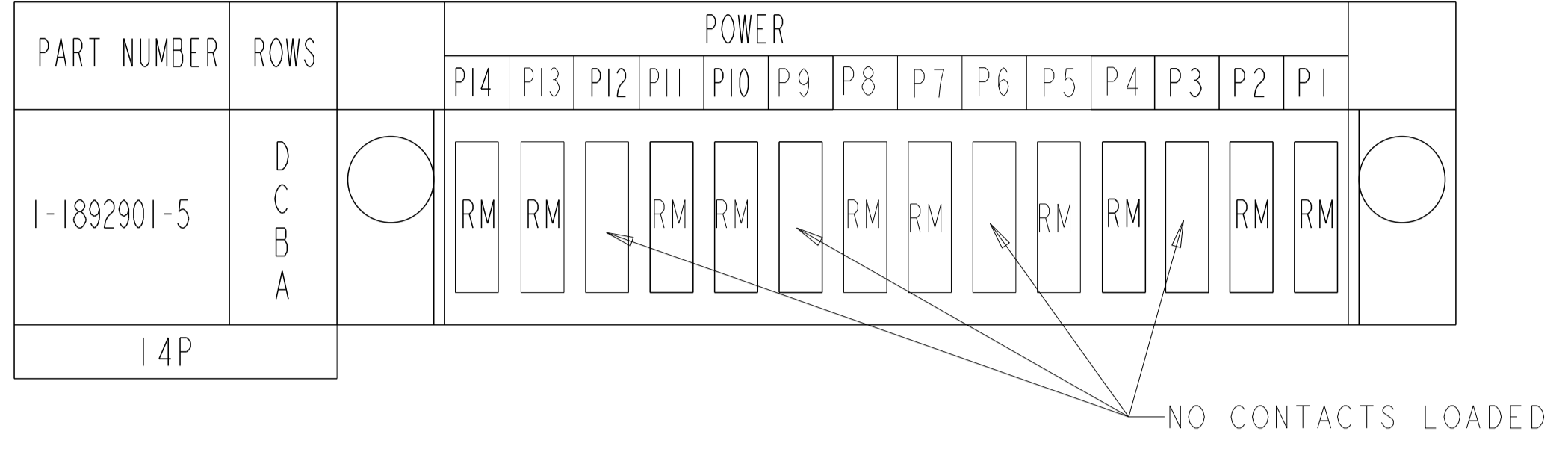
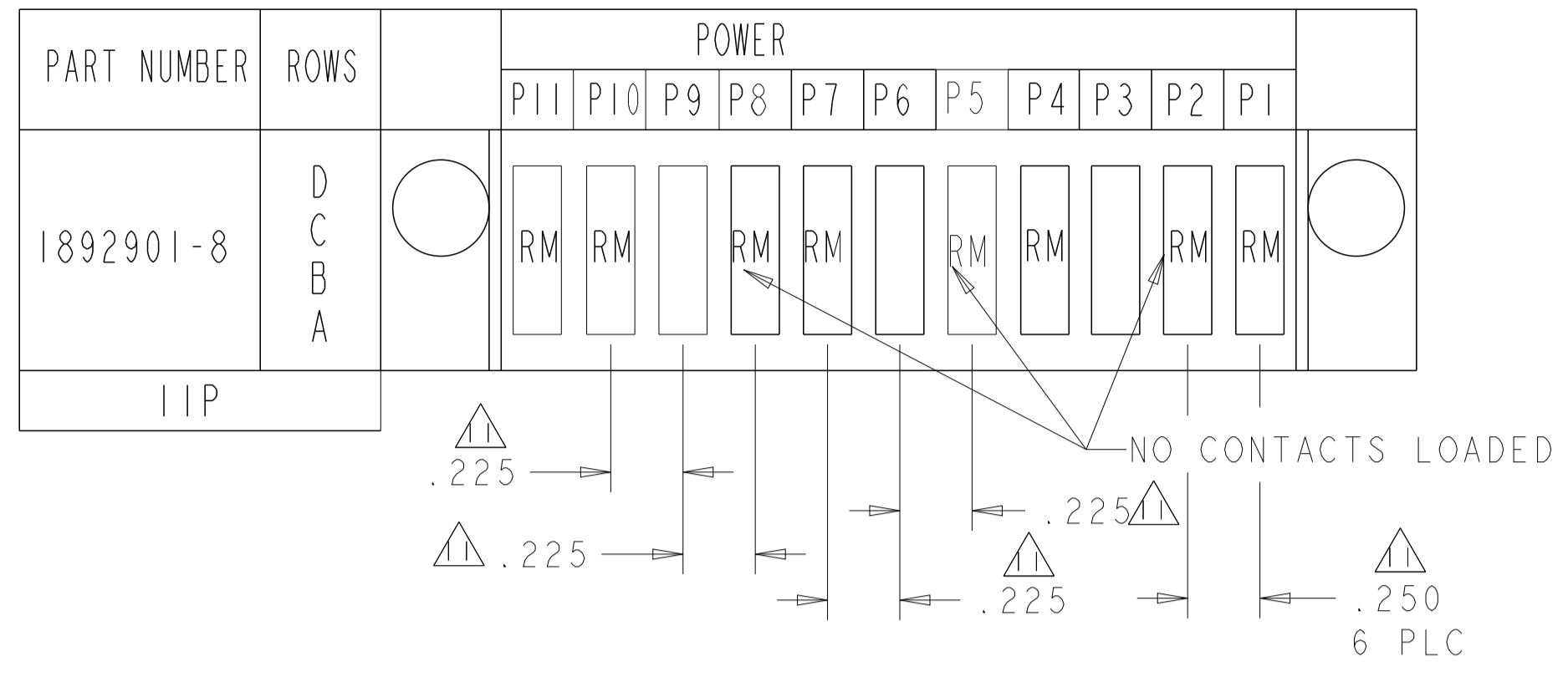
SCALE 4:1 SHEET 3 OF 4 REV C

STE TE Connectivity

PANEL MOUNT CABLE RECEPTACLE HOUSING WITH SLIM GUIDES MULTI-BEAM XLE

SIZE CAGE CODE DRAWING NO RESTRICTED TO A100779C=1892901

LOC	DIST	REVISIONS			
P	LTN	DESCRIPTION	DATE	DMN	APVD
-	-	SEE SHEET 1	-	-	-



THIS DRAWING IS A CONTROLLED DOCUMENT.

DIMENSIONS: INCHES	TOLERANCES UNLESS OTHERWISE SPECIFIED:	DMN: C. ZHOU 27JUL2009	CHK: S. ZHAO 27JUL2009	APVD: S. ZHAO	NAME: PANEL MOUNT CABLE RECEPTACLE HOUSING WITH SLIM GUIDES MULTI-BEAM XLE
0 PLC ±.01	1 PLC ±.01	2 PLC ±.01	3 PLC ±.005	4 PLC ±.0020	ANGLES ±2°
MATERIAL: -	FINISH: -	WEIGHT: -	SIZE: 114-13112	CAGE CODE: -	DRAWING NO: A100779C=1892901
Customer Drawing			SCALE: 4:1	SHEET: 4 OF 4	REV: C

STE TE Connectivity