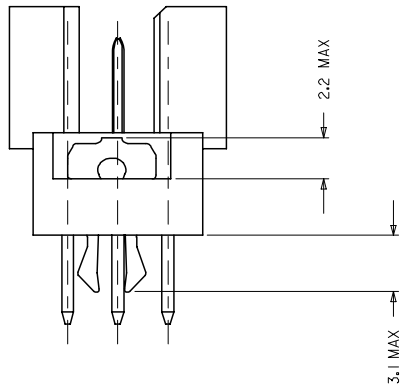
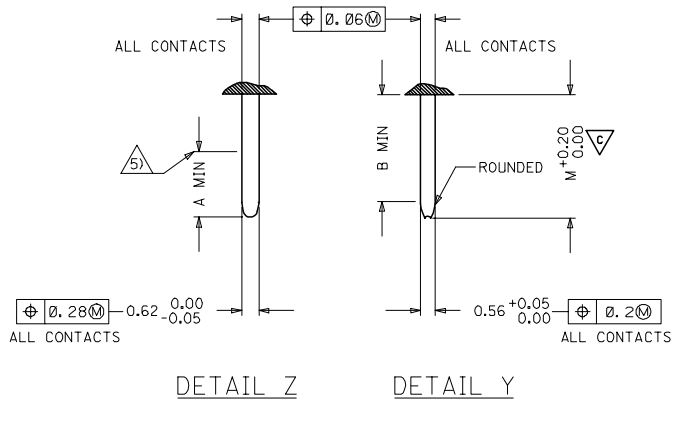


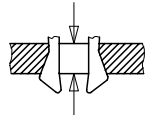
PRE MATING CONTACTS	5.4	4.1	4.8
NORMAL CONTACTS	4.8	3.5	4.2
	M	A	B

MALE CONNECTOR WITH MOUNTING CLIPS



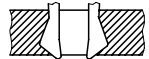
CLIPS SNAP UNDER
PC - BOARD OF
1.5 to 1.8 mm
Fm < 60N
Fr >= 20N
Fr >= 200N, WHEN
SOLDERED IN
PLATED - THROUGH
FIXING HOLES

Fm = MOUNTING FORCE
(FOR ONE CONNECTOR = 2 CLIPS)



FR = RETENTION FORCE
(FOR ONE CONNECTOR = 2 CLIPS)

CLIPS STICK IN
FIXING HOLE OF
PC - BOARDS
OVER 1.8 mm
Fm < 60N
FR >= 16N



IEC NO.: I2005-0092 DRAWN BY: DR WINGHYASHA CHECKED BY: CH KRASAI APPR: SUDHIR DATE: 2004/11/23	QUALITY SYMBOLS ▽=0 ▽=1	GENERAL TOLERANCES (UNLESS SPECIFIED)		DIMENSION STYLE MM ONLY	SCALE 2:1	DESIGN UNITS METRIC	THIRD ANGLE PROJECTION
		4 PLACES ± --- ± --- 3 PLACES ± 0.005 ± --- 2 PLACES ± 0.05 ± --- 1 PLACE ± 0.1 ± ---	mm INCH	DRAWN BY: NS DATE: 2004/03/31	CHECKED BY: GJLOWE DATE: 2004/03/31	APPROVED BY: GJLOWE DATE: 2004/03/31	TITLE: 48 POS. MALE CONNECTOR ACC. DIN 41612 STYLE R/2 CONTACTS
DRAFT WHERE APPLICABLE MUST REMAIN WITHIN DIMENSIONS		SEE CHART		MATERIAL NO.: E-85013-0002	DOCUMENT NO.: E-85013-0002	SHEET NO.: 2 OF 2	
THIS DRAWING CONTAINS INFORMATION THAT IS PROPRIETARY TO MOLEX INCORPORATED AND SHOULD NOT BE USED WITHOUT WRITTEN PERMISSION							

VIEW ON MATING SIDE

⊂	A	A	A	A	A	A	A	A	A	A	A	A	A	A	A	A	A	A	A
⊃	A	A	A	A	A	A	A	A	A	A	A	A	A	A	A	A	A	A	A
⊄	A	A	A	A	A	A	A	A	A	A	A	A	A	A	A	A	A	A	A


1 2 3 4 5 6 7 8 9 10 11 12 13 14 15 16 17 18 19 20 21 22 23 24 25 26 27 28 29 30 31 32 33 34 35 36 37 38 39 40 41 42 43 44 45 46 47 48 49 50 51 52 53 54 55 56 57 58 59 60 61 62 63 64 65 66 67 68 69 70 71 72 73 74 75 76 77 78 79 80 81 82 83 84 85 86 87 88 89 90 91 92 93 94 95 96 97 98 99 100

A = 48 STANDARD CONTACTS L=4,5

Marking	Standard
Performance level	G2/0 = Contact area perform. level2 / Termination tin
Flux proof	no
Fixing clip	no
Dimensions	SDA-85013-0002 sht.1
Technical Data	PS-85013-0001

A	G2/0	a1-16	b1-16	c1-16
Contact symbol	Perform. level	Contact position number		

first release see ECN No. 1868	REVISIONS		FOR PREVIOUS REVISIONS SEE MRI LIST	
	LTR	DESCRIPTION	DATE	BY

UNLESS OTHERWISE SPECIFIED TOLERANCES: ANGULAR ± 2°	DRWG BY	SIGN	CAD/CAM PROJECT NAME	SH. REV.
INCH	Ca		S8501300	THIS DRAWING CONTAINS INFORMATION THAT IS PROPRIETARY TO MOLEX INC. & SHOULD NOT BE USED WITHOUT WRITTEN PERMISSION
METRIC	CHK'D BY	SIGN	s71	
3 PLACE ± .	KN			
2 PLACE ± .	APP'D BY	SIGN		
1 PLACE ± .	SCALE			
DRAFT WHERE APPLICABLE MUST REMAIN WITHIN DIMENSIONS	DESIGN DIMENSION	<input type="checkbox"/> MM <input type="checkbox"/> IN.	TITLE	
EQUIVALENT DIMENSION	<input type="checkbox"/> MM <input type="checkbox"/> IN.	48 pos. Male connector acc. DIN 41612 style R/2 contacts arrangement		
IF TWO DIMENSIONS ARE SHOWN, THE UPPER IS THE DESIGN DIMENSION, LOWER IS SECONDARY	 MOLEX EUROPE SHEET NO. 1 OF 1 DATE 95/06/07 PART NO. 85013-0074 DWG NO. SDA-85013-0074 SIZE A			