

# Si53258/Si53254 Data Sheet

## 8/4-Output PCIe Gen1/2/3/4/5 Clock Buffer

The Si53258/54 are the industry's highest performance and lowest power automotive grade PCI Express fanout buffers for PCIe Gen1/2/3/4/5 common clock and/or SRIS applications. The Si53258 and Si53254 source eight and four 100 MHz PCIe differential clock outputs, respectively. All clock outputs are compliant to PCIe Gen1/2/3/4/5 common clock and separate reference clock architecture specifications.

Hardware control pins are available for enabling and disabling the outputs, as well as input selection for devices that include dual-input functionality.

For more information about PCI Express, Skyworks' complete PCIe portfolio, application notes, and design tools, including the Skyworks PCIe Clock Jitter Tool for PCI Express compliance, please visit the Skyworks PCI Express Learning Center.

### Applications:

- Infotainment
- ADAS ECU
- Radar Sensors
- LiDar Sensors

### KEY FEATURES

- 8/4-outputs with internal termination
- PCIe Gen 1/2/3/4/5 compliant
- Automotive grade 2: -40 to +105 °C
- Internal 100 Ω or 85 Ω line matching
- Excellent additive jitter performance
  - 0.05 ps RMS (Gen3/4)
  - 0.025 ps RMS (Gen5)
- Spread spectrum tolerant to pass through a spread input clock for EMI reduction
- Individual hardware control pins for Output Enable
- Optional dual input capability with MUX
- 1.8–3.3 V power supply
- Pb-free, RoHS-6 compliant

## 1. Features List

- 8/4-HCSL outputs with internal termination
- PCIe Gen1/2/3/4/5 compliant
- Automotive grade 2: -40 to +105 °C
- Internal 100  $\Omega$  or 85  $\Omega$  line matching
- Excellent additive jitter performance
  - 0.05 ps RMS (Gen3/4)
  - 0.025 ps RMS (Gen5)
- Spread spectrum tolerant to pass through a spread input clock for EMI reduction
- Loss of Signal (LOS) output pin
- Individual hardware control pins for Output Enable
- Optional dual input capability with MUX
- 1.8–3.3 V power supply
- Pb-free, RoHS-6 compliant

## 2. Ordering Guide

Number of Outputs	Number of Inputs	Part Number	Package Type	Temperature
8	1	Si53258A-D01AM	40-QFN	Automotive, –40 to 105 °C
		Si53258A-D01AMR	40-QFN, Tape and Reel	
	2	Si53258A-D02AM	40-QFN	
		Si53258A-D02AMR	40-QFN, Tape and Reel	
4	1	Si53254A-D01AM	32-QFN	
		Si53254A-D01AMR	32-QFN, Tape and Reel	
	2	Si53254A-D02AM	40-QFN	
		Si53254A-D02AMR	40-QFN, Tape and Reel	

# Table of Contents

<b>1. Features List</b>	<b>2</b>
<b>2. Ordering Guide</b>	<b>3</b>
<b>3. Functional Description</b>	<b>5</b>
3.1 Functional Block Diagrams	5
3.1.1 Si53258A-D01AM Functional Block Diagram	5
3.1.2 Si53254A-D01AM Functional Block Diagram	5
3.1.3 Si53258A-D02AM Functional Block Diagram	6
3.1.4 Si53254A-D02AM Functional Block Diagram	6
3.2 Input Clock Termination	7
3.3 HCSL Differential Output Terminations	8
3.4 Output Enable/Disable	8
3.5 Loss of Signal (LOS)	9
<b>4. Power Supply Filtering Recommendations</b>	<b>10</b>
<b>5. Electrical Specifications</b>	<b>11</b>
<b>6. Pin Descriptions</b>	<b>17</b>
6.1 Si53258A-D01AM Pin Descriptions (40-QFN)	17
6.2 Si53258A-D02AM Pin Descriptions (40-QFN)	21
6.3 Si53254A-D01AM Pin Descriptions (32-QFN)	25
6.4 Si53254A-D02AM Pin Descriptions (40-QFN)	28
<b>7. Package Outline</b>	<b>32</b>
7.1 6x6 mm 40-QFN Package Diagram	32
7.2 5x5 mm 32-QFN Package Diagram	34
<b>8. PCB Land Pattern</b>	<b>36</b>
8.1 40-QFN Land Pattern	36
8.2 32-QFN Land Pattern	38
<b>9. Top Marking</b>	<b>40</b>
<b>10. Revision History</b>	<b>41</b>

### 3. Functional Description

#### 3.1 Functional Block Diagrams

##### 3.1.1 Si53258A-D01AM Functional Block Diagram

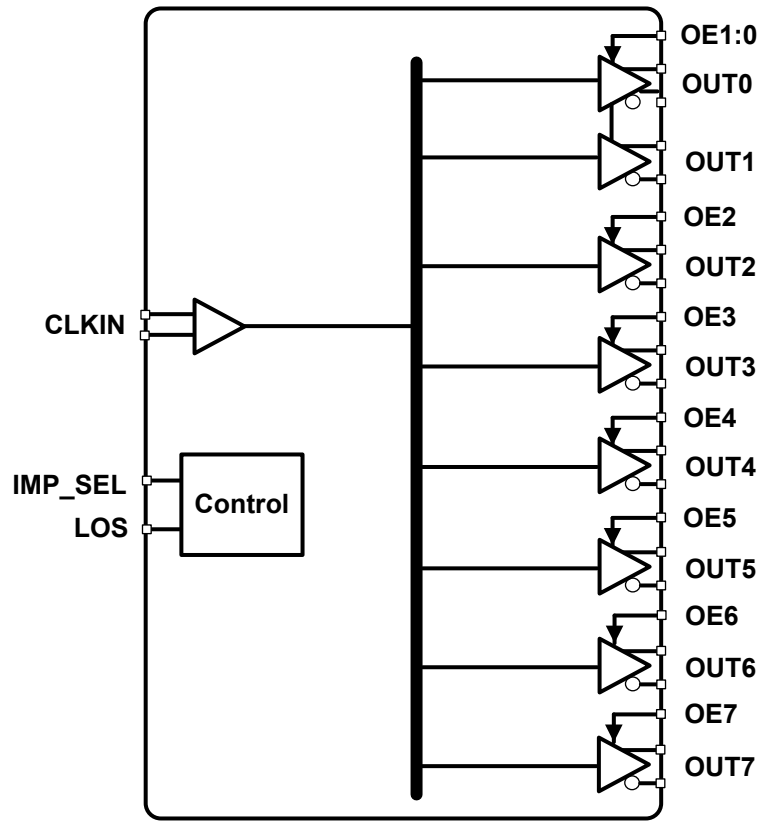


Figure 3.1. Si53258A-D01AM Functional Block Diagram

##### 3.1.2 Si53254A-D01AM Functional Block Diagram

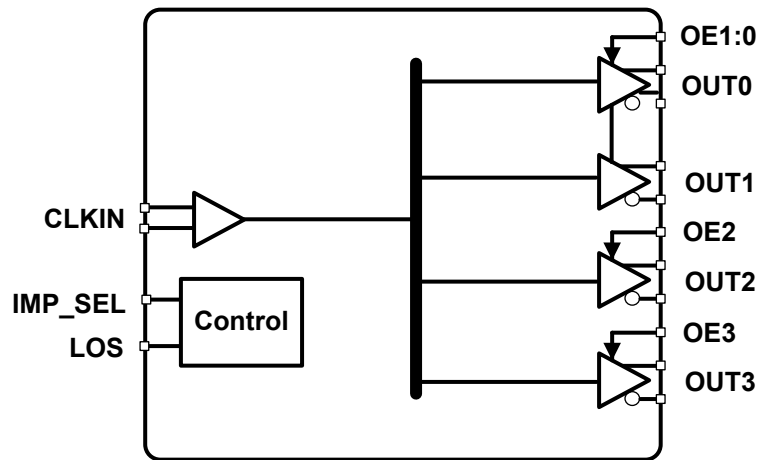


Figure 3.2. Si53254A-D01AM Functional Block Diagram

### 3.1.3 Si53258A-D02AM Functional Block Diagram

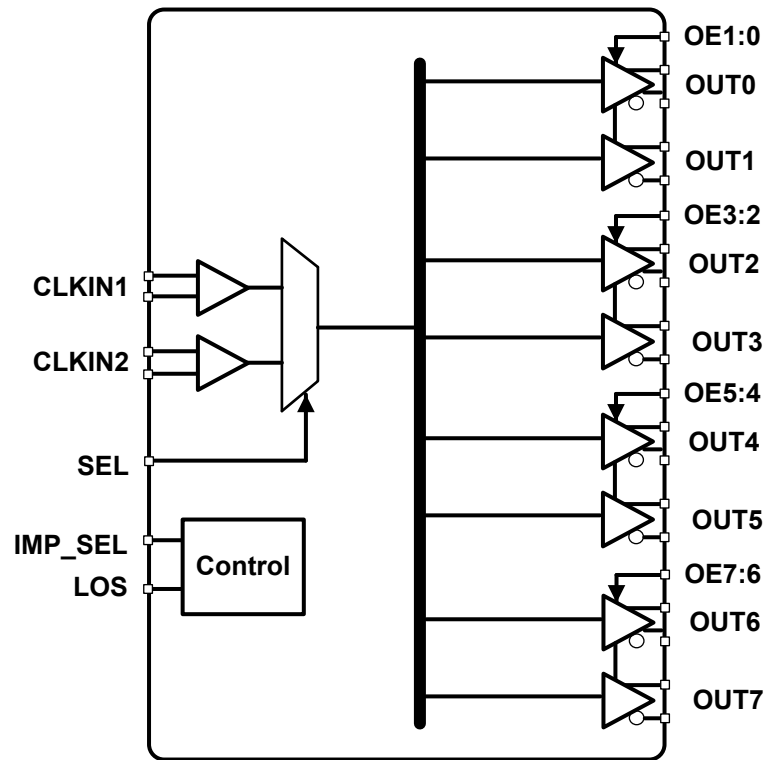


Figure 3.3. Si53258A-D02AM Functional Block Diagram

### 3.1.4 Si53254A-D02AM Functional Block Diagram

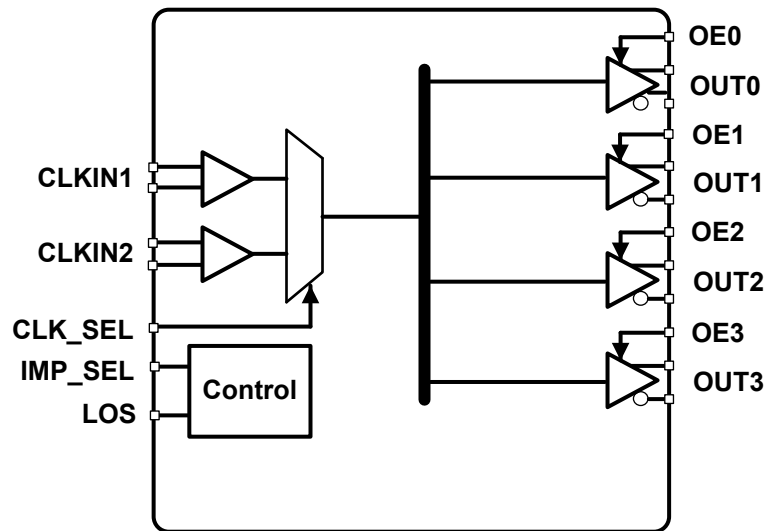
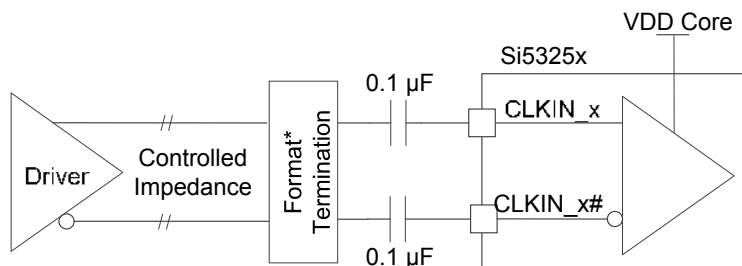


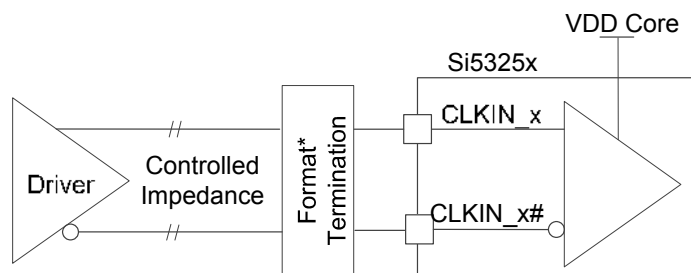
Figure 3.4. Si53254A-D02AM Functional Block Diagram

### 3.2 Input Clock Termination

When supplying a differential input clock, ac or dc coupling can be used. The figures below show the ac- and dc-coupled differential input clock connection to the clock input pins. The input clock Format Termination shown in the figures below is dependent on the driver's termination requirements. The Si5325x clock inputs are high-impedance inputs, and the clock driven in must meet the specified electrical requirements.



**Figure 3.5. AC-Coupled Differential Input Clock (LVDS, LVPECL, HCSL, CML, etc.)**



**Figure 3.6. DC-Coupled Differential Input Clock**

To determine if a specific dc-coupled differential input clock arrangement is supported, refer to the table below.

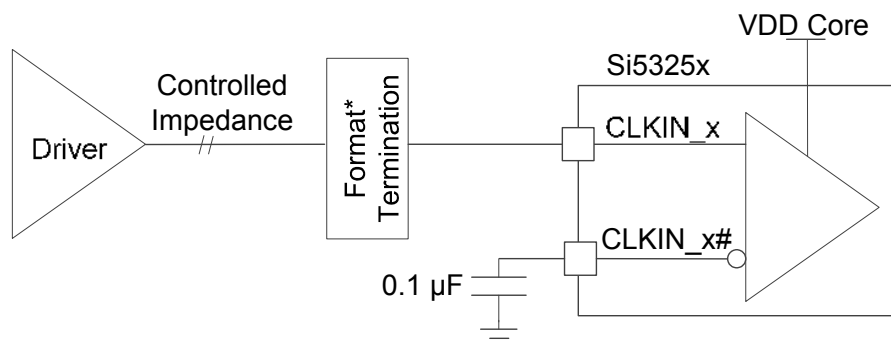
**Table 3.1. Si5325x Input Clock Coupling Restrictions (AC or DC)**

Format	VDD_Core		
	3.3 V	2.5 V	1.8 V
LVDS 3.3 V/2.5 V	AC or DC	AC only	AC only
LVDS 1.8 V	AC or DC	AC only	AC only
LVPECL 3.3 V/2.5 V	AC or DC	AC only	AC only
HCSL	AC or DC	AC or DC	AC only
CML	AC only	AC only	AC only
LVC MOS	DC only	DC only	DC only

**Note:**

1. For dc-coupled, input clock peak voltage must not exceed VDD\_Core and minimum voltage must not be below GND.
2. For ac-coupled LVC MOS, peak swing must not exceed VDD\_Core.

The figure below shows how to connect single-ended input clocks, such as LVCMOS. The single-ended clock must be connected to the positive CLKIN input as shown below.



**Figure 3.7. DC-Coupled Single-Ended Input Clock (LVCMOS)**

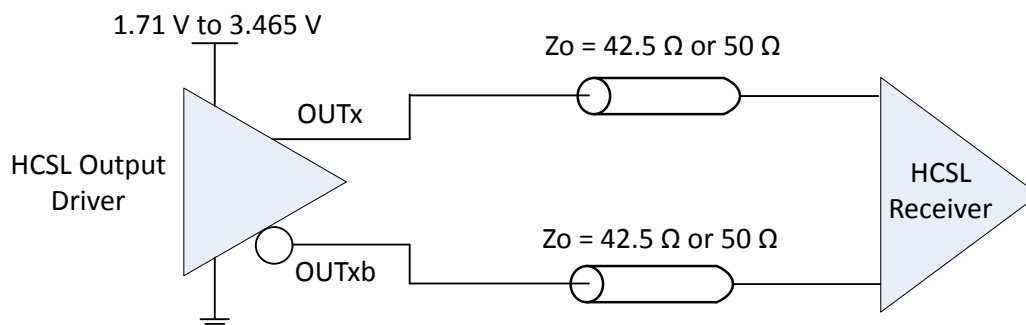
For dc-coupled single-ended input clocks (such as LVCMOS) the  $V_{swing}$  of the clock must be limited to the maximum  $VDD_{Core}$  voltage. ( $VDD_{Core}$  is defined as the following group of  $VDD$  supply pins:  $VDD_{DIG}$ ,  $VDDA$ , and  $VDD_{XTAL}$ .) The Input clock format termination is dependent on the driver format used and is usually specified by the driving device and/or industry standard clock format specification.

For example, in the case of using a LVCMOS input clock, the driving device may recommend a series termination resistor. When using LVCMOS input clocks the Si5325x input must be configured in LVCMOS mode in CBPro. The single-ended CLKIN input of Si5325x is a high impedance input.

### 3.3 HCSL Differential Output Terminations

#### Termination for HCSL Outputs

The Si52254/8 HCSL driver features integrated termination resistors to simplify interfacing to an HCSL receiver. The HCSL driver supports both 100  $\Omega$  and 85  $\Omega$  transmission line options, and can be selected using the  $IMP\_SEL$  hardware input pin.



**Figure 3.8. HCSL Internal Termination Mode**

### 3.4 Output Enable/Disable

An output enable pin provides a convenient method of disabling or enabling the output drivers. When the output enable pin is held high, all designated outputs will be disabled. When held low, the designated outputs will be enabled.

#### For Differential Outputs:

Output disabled means the differential output **pair** goes to a logical "0" state. The positive side goes low, and the negative side goes high. The high and low voltage levels are in accordance with the configured output format type for each differential pair. The output pair will statically remain at these levels as long as the output is disabled. Upon being enabled, the outputs will start up synchronous to the output clock to avoid output runt pulses or glitches.



### 3.5 Loss of Signal (LOS)

The LOS indicator is used to check for the presence of an input reference source (crystal or clock). LOS will assert when the reference source frequency drops below approximately 9 MHz.

The LOS pin must be checked prior to selecting the clock input or should be polled to check for the presence of the currently selected input clock. In the event that a reference source is not present, the associated LOS pin will assume a logic low (LOS = 0) state. When a reference source is present at the associated input clock pin, the LOS pin will assume a logic high (LOS = 1) state.

#### 4. Power Supply Filtering Recommendations

The Si53258/4 features internal LDOs on each power supply pin, providing excellent power supply noise rejection. As a guideline, each power supply pin should use a parallel combination of a 1  $\mu\text{f}$  and a 0.1  $\mu\text{F}$  bypass capacitor placed as close to the supply pin as possible.

## 5. Electrical Specifications

**Table 5.1. Recommended Operating Conditions**
 $(V_{DD} = V_{DDA} = V_{DD\_DIG} = 1.8\text{ V to }3.3\text{ V }+5\%/ -5\%, V_{DDO} = 1.8\text{ V } \pm 5\%, 2.5\text{ V } \pm 5\%, \text{ or } 3.3\text{ V } \pm 5\%, T_A = -40\text{ to }105\text{ }^\circ\text{C})$ 

Parameter	Symbol	Test Condition	Min	Typ	Max	Units
Ambient Temperature	$T_A$		-40	25	105	$^\circ\text{C}$
Junction Temperature	$T_{JMAX}$		—	—	125	$^\circ\text{C}$
Core Supply Voltage	$V_{DDA}, V_{DD\_DIG}, V_{DD}$		1.71	—	3.46	V
Output Driver Supply Voltage	$V_{DDO}$		1.42 <sup>2</sup>	—	3.46	V

**Note:**

- All minimum and maximum specifications are guaranteed and apply across the recommended operating conditions. Typical values apply at nominal supply voltages and an operating temperature of 25  $^\circ\text{C}$  unless otherwise noted.
- LVC MOS outputs only.

**Table 5.2. DC Characteristics**
 $(V_{DD} = V_{DDA} = V_{DD\_DIG} = 1.8\text{ V to }3.3\text{ V }+5\%/ -5\%, V_{DDO} = 1.8\text{ V } \pm 5\%, 2.5\text{ V } \pm 5\%, \text{ or } 3.3\text{ V } \pm 5\%, T_A = -40\text{ to }105\text{ }^\circ\text{C})$ 

Parameter	Symbol	Test Condition	Min	Typ	Max	Units
Core Supply Current	$I_{DD}$		—	11	18	mA
Output Buffer Supply Current	$I_{DDOx}$	HCSL Output <sup>1</sup> @ 100 MHz	—	20	22	mA
Total Power Dissipation	$P_d$	40-pin		530	670	mW
		32-pin	—	145	215	mW

**Notes:**

- Differential outputs terminated into a 100  $\Omega$  load at 3.3 V.

**Table 5.3. Clock Input Specifications**
 $(V_{DD} = V_{DDA} = V_{DD\_DIG} = 1.8\text{ V to }3.3\text{ V }+5\%/ -5\%, V_{DDO} = 1.8\text{ V } \pm 5\%, 2.5\text{ V } \pm 5\%, \text{ or } 3.3\text{ V } \pm 5\%, T_A = -40\text{ to }105\text{ }^\circ\text{C})$ 

Parameter	Symbol	Test Condition	Min	Typ	Max	Units
<b>Input Clock (AC-coupled Differential Input Clock on CLKIN_2/CLKIN_2# or CLKIN_3/CLKIN_3#)</b>						
Frequency	$F_{IN}$	Differential	—	100	—	MHz
Voltage Swing	$V_{PP\_DIFF}$ <sup>3</sup>		0.5	—	1.8	$V_{PP\_diff}$
Slew Rate	SR/SF	20-80%	0.75	—	—	V/ns
Duty Cycle	DC		40	—	60	%
Input Impedance	$R_{IN}$		10	—	—	k $\Omega$
Input Capacitance	$C_{IN}$		2	3.5	6	pF

**Notes:**

- Imposed for jitter performance.
- Rise and fall times can be estimated using the following simplified equation:  $tr/tf_{80-20} = ((0.8 - 0.2) * V_{IN\_Vpp\_se}) / SR$ .
- $V_{PP\_DIFF} = 2 * V_{PP\_SINGLE-ENDED}$

**Table 5.4. Control Pins**
 $V_{DD} = V_{DDA} = V_{DD\_DIG} = 1.8\text{ V to }3.3\text{ V } \pm 5\%$ ,  $T_A = -40\text{ to }105\text{ }^\circ\text{C}$ 

Parameter	Symbol	Test Condition	Min	Typ	Max	Units
<b>OEB_OUTx, IMP_SEL Pins (Inputs)</b>						
Input Voltage	$V_{IL}$		-0.1	—	$0.3 \times V_{DD}^1$	V
	$V_{IH}$		$0.7 \times V_{DD}^1$	—	$1.1 \times V_{DD}^1$	V
Input Capacitance	$C_{IN}$		—	—	4	pF
Pull-up/down resistance	$R_{IN}$		—	50	—	k $\Omega$
<b>LOS Pin (Output)</b>						
Output Voltage	$V_{OL}$	Pull-up = 1k $\Omega$	—	—	0.4	V
Pull-up Resistance	$R_{PU}$		1	—	10	k $\Omega$
LOS Assertion Time			—	120	—	$\mu\text{s}$
LOS De-assertion Time			—	95	—	$\mu\text{s}$
<b>Note:</b>						
1. VDD indicates all core voltages, $V_{DD\_DIG}$ and $V_{DDA}$ , that must use the same nominal voltage.						

**Table 5.5. Differential Clock Output Specifications**
 $(V_{DD} = V_{DDA} = V_{DD\_DIG} = 1.8\text{ V to }3.3\text{ V } +5\%/-5\%$ ,  $V_{DDO} = 1.8\text{ V } \pm 5\%$ ,  $2.5\text{ V } \pm 5\%$ , or  $3.3\text{ V } \pm 5\%$ ,  $T_A = -40\text{ to }105\text{ }^\circ\text{C}$ )

Parameter	Symbol	Test Condition	Min	Typ	Max	Units
Output Frequency	$f_{OUT}$			100		MHz
Duty Cycle	DC	With 50% duty cycle input.	48	—	52	%
Output-Output Skew	$T_{SK}$		—	—	80	ps
Output Voltage Swing	$V_{SEPP}$	HCSL	0.7	0.8	0.9	$V_{PP}$
Common Mode Voltage	$V_{CM}$	HCSL	0.35	0.4	0.45	V
HCSL Edge Rate	Edgr	Notes 1, 2, 3	1	—	4.5	V/ns
HCSL Delta Tr	$D_{tr}$	Notes 2, 4, 5	—	—	155	ps
HCSL Delta Tf	$D_{tf}$	Notes 2, 4, 5	—	—	155	ps
HCSL Vcross Abs	$V_{xa}$	Notes 6, 7, 2, 4	250	—	550	mV
HCSL Delta Vcross	$D_{vcrs}$	Notes 2, 4, 8	—	—	140	mV
HCSL Vovs	$V_{ovs}$	Notes 2, 4, 9	—	—	$V_{HIGH}+300$	mV
HCSL Vuds	$V_{uds}$	Notes 2, 4, 10	—	—	$V_{LOW}-300$	mV
HCSL Vrng	$V_{rng}$	Notes 2, 4		$V_{HIGH}-200$	$V_{LOW}+200$	mV
Rise and Fall Times (20% to 80%)	$t_R/t_F$	HCSL	—	—	420	ps

Parameter	Symbol	Test Condition	Min	Typ	Max	Units
<b>Notes:</b>						
1. Measure taken from differential waveform on a component test board. The edge (slew) rate is measured from $-150$ mV to $+150$ mV on the differential waveform. Scope is set to average because the scope sample clock is making most of the dynamic wiggles along the clock edge Only valid for Rising clock and Falling Clock#. Signal must be monotonic through the $V_{ol}$ to $V_{oh}$ region for $T_{rise}$ and $T_{fall}$ .						
2. Applies to a 2 pf load with both internal or external 50 $\Omega$ or 42.5 $\Omega$ $R_p$ .						
3. Measurement taken from differential waveform.						
4. Measurement taken from Single Ended waveform.						
5. Measured with oscilloscope, averaging off, using min max statistics. Variation is the delta between min and max.						
6. Measured at crossing point where the instantaneous voltage value of the rising edge of CLK equals the falling edge of CLK#.						
7. This measurement refers to the total variation from the lowest crossing point to the highest, regardless of which edge is crossing.						
8. $\Delta V_{cross}$ is defined as the total variation of all crossing voltages of Rising CLOCK and Falling CLOCK#. This is the maximum allowed variance in $V_{cross}$ for any particular system.						
9. Overshoot is defined as the absolute value of the maximum voltage.						
10. Undershoot is defined as the absolute value of the minimum voltage.						

**Table 5.6. Performance Characteristics**

( $V_{DD} = V_{DDA} = V_{DD\_DIG} = 1.8$  V to 3.3 V  $\pm 5\%$ / $-5\%$ ,  $V_{DDO} = 1.8$  V  $\pm 5\%$ , 2.5 V  $\pm 5\%$ , or 3.3 V  $\pm 5\%$ ,  $T_A = -40$  to 105  $^{\circ}$ C)

Parameter	Symbol	Test Condition	Min	Typ	Max	Units
Power Ramp	$t_{VDD}$	0 V to $V_{DDmin}$	0.1	—	10	ms
Clock Stabilization from Power-up	$t_{STABLE}$	Time for clock outputs to appear after POR	—	15	25	ms

**Table 5.7. PCI-Express Clock Output Additive Phase Jitter (100 MHz)**(V<sub>DD</sub> = V<sub>DDA</sub> = V<sub>DD\_DIG</sub> = 1.8 V to 3.3 V +5%/-5%, V<sub>DDO</sub> = 1.8 V ±5%, 2.5 V ±5%, or 3.3 V ±5%, T<sub>A</sub> = -40 to 85 °C)

Parameter	Test Condition	Typ	Max	Units
PCIe Gen 1.1	Includes PLL BW 1.5–22 MHz, Peaking = 3 dB, T <sub>d</sub> = 10 ns, F <sub>trk</sub> = 1.5 MHz with BER = 1E-12 <sup>1</sup>	11	19	ps RMS
PCIe Gen 2.1	Includes PLL BW 5MHz and 8–16 MHz, Jitter Peaking = 0.01–1 dB and 3 dB, T <sub>d</sub> =12ns, Low Band, F < 1.5 MHz	0.02	0.026	ps RMS
	Includes PLL BW 5 MHz and 8–16 MHz, Jitter Peaking = 0.01–1 dB and 3 dB, T <sub>d</sub> = 12 ns, High Band, 1.5 MHz < F < Nyquist <sup>1</sup>	0.2	0.31	ps RMS
PCIe Gen 3.0	Includes PLL BW 2–4 MHz and 5 MHz, Peaking = 0.01–2 dB and 1 dB, T <sub>d</sub> = 12 ns, CDR = 10 MHz <sup>1, 2</sup>	0.06	0.1	ps RMS
PCIe Gen 4.0	Includes PLL BW 2–4 MHz and 5 MHz, Peaking = 0.01–2 dB and 1dB, T <sub>d</sub> = 12 ns, CDR = 10 MHz <sup>1, 2</sup>	0.05	0.1	ps RMS
PCIe Gen5.0	Includes PLL BW 500 kHz–1.8 MHz, CDR = 20 MHz	0.025	0.04	ps RMS

**Note:**

1. All output clocks 100 MHz HCSL format. Jitter data taken from Clock Jitter Tool v.1.3.
2. Excludes oscilloscope sampling noise.

**Table 5.8. Thermal Characteristics**

Parameter	Symbol	Test Condition <sup>1</sup>	Value	Units
<b>40 QFN</b>				
Thermal Resistance, Junction to Ambient	$\theta_{JA}$	Still Air	23.1	°C/W
		Air Flow 1 m/s	17.5	
		Air Flow 2 m/s	16.5	
Thermal Resistance, Junction to Case	$\theta_{JC}$		13.4	
Thermal Resistance, Junction to Board	$\theta_{JB}$		8.7	
	$\Psi_{JB}$		8.4	
<b>32 QFN</b>				
Thermal Resistance, Junction to Ambient	$\theta_{JA}$	Still Air	28.4	°C/W
		Air Flow 1 m/s	24	
		Air Flow 2 m/s	23	
Thermal Resistance, Junction to Case	$\theta_{JC}$		15.9	
Thermal Resistance, Junction to Board	$\theta_{JB}$		11.5	
	$\Psi_{JB}$		11.2	
<b>Note:</b>				
1. Based on JEDEC standard 4-layer PCB.				

**Table 5.9. Absolute Maximum Ratings<sup>1,2,3</sup>**

Parameter	Symbol	Test Condition	Value	Units
Storage Temperature Range	$T_{STG}$		-55 to +150	°C
DC Supply Voltage	$V_{DD}$		-0.5 to 3.8	V
	$V_{DDA}$		-0.5 to 3.8	V
	$V_{DD_{xtal}}$		-0.5 to 3.8	V
	$V_{DDO}$		-0.5 to 3.8	V
Input Voltage Range	$V_I$		-0.3 to 1.3	V
Latch-up Tolerance	LU		JESD78 Compliant	
ESD Tolerance	HBM	100 pF, 1.5 k $\Omega$	2.0	kV
Junction Temperature	$T_{JCT}$		-55 to 125	°C
Soldering Temperature	$T_{PEAK}$		260	°C
Soldering Temperature Time at $T_{PEAK}$	$T_P$		20 to 40	sec

**Notes:**

1. Permanent device damage may occur if the absolute maximum ratings are exceeded. Functional operation should be restricted to the conditions as specified in the operational sections of this data sheet. Exposure to absolute maximum rating conditions for extended periods may affect device reliability.
2. For more packaging information, go to [https://www.skyworksinc.com/product\\_certificate.aspx](https://www.skyworksinc.com/product_certificate.aspx).
3. The device is compliant with JEDEC J-STD-020.



## 6. Pin Descriptions

### 6.1 Si53258A-D01AM Pin Descriptions (40-QFN)

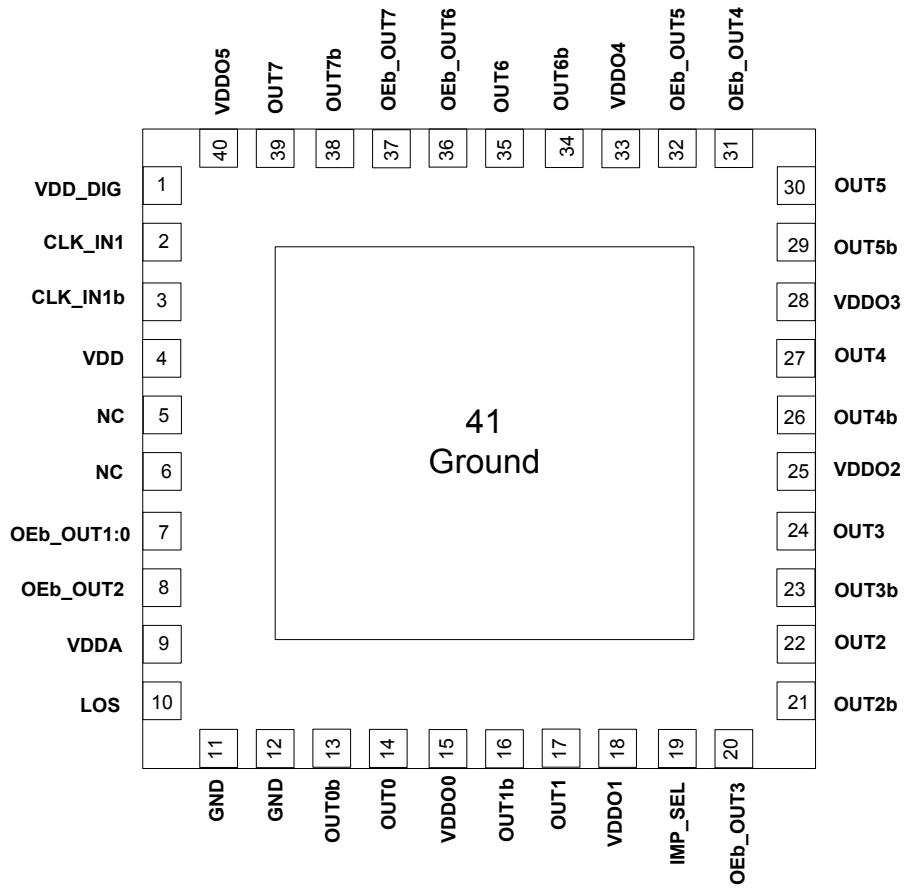


Figure 6.1. Si53258A-D01AM 40-QFN

Table 6.1. Si53258A-D01AM Pin Descriptions (40-QFN)

Pin Number	Pin Name	Pin Type	Function
1	VDD_DIG	P	Voltage supply for digital functions. Connect to 1.8–3.3 V. Part of internal core VDD voltage. Must be connected to same voltage as VDDA and VDD.
2	CLK_IN1	I	100 MHz HCSL Clock1 input. These pins are high-impedance and must be terminated externally.
3	CLK_IN1b	I	
4	VDD	P	Voltage supply. Connect to 1.8–3.3 V. Part of internal core VDD voltage. Must be connected to same voltage as VDDA and VDD_DIG.
5	NC	I	Do not connect these pins to anything.
6	NC	I	
7	OEb_OUT1:0	I	Output enable pin for OUT1 and OUT0. Low = output enabled High = output disabled
8	OEb_OUT2	I	Output enable pin for OUT2. Low = output enabled High = output disabled
9	VDDA	P	Core Supply Voltage. Connect to 1.8–3.3 V. Must be connected to same voltage as VDD_DIG and VDD.
10	LOS	O	The LOS status pin indicates whether the reference input has dropped below approximately 10 MHz. LOS is active low, open drain output and requires an external pull-up resistor of 1 to 10 kΩ for proper operation. If LOS is not required, this pin can be left unconnected.  0 = reference input has dropped below approx. 10 MHz 1 = reference input is present (>10 MHz)
11	GND	P	Connect these pins to ground.
12	GND	P	
13	OUT0b	O	<b>Output Clock</b>
14	OUT0	O	100 MHz HCSL output. Termination recommendations are provided in <a href="#">3.3 HCSL Differential Output Terminations</a> . Unused outputs should be left unconnected.
15	VDDO0	P	<b>Supply Voltage (1.8–3.3 V) for OUT0</b> Leave VDDOx pins of unused output drivers unconnected. An alternate option is to connect the VDDOx pin to a power supply and disable the output driver to minimize current consumption.
16	OUT1b	O	<b>Output Clock</b>
17	OUT1	O	100 MHz HCSL output. Termination recommendations are provided in <a href="#">3.3 HCSL Differential Output Terminations</a> . Unused outputs should be left unconnected.
18	VDDO1	P	<b>Supply Voltage (1.8–3.3 V) for OUT1</b> Leave VDDOx pins of unused output drivers unconnected. An alternate option is to connect the VDDOx pin to a power supply and disable the output driver to minimize current consumption.

Pin Number	Pin Name	Pin Type	Function
19	IMP_SEL	I	Impedance select pin for output drivers. IMP_SEL pin is sampled at power-up only. Low = 100 $\Omega$ High = 85 $\Omega$
20	OEb_OUT3	I	Output enable pin for OUT3. Low = output enabled High = output disabled
21	OUT2b	O	<b>Output Clock</b>
22	OUT2	O	100 MHz HCSL output. Termination recommendations are provided in <a href="#">3.3 HCSL Differential Output Terminations</a> . Unused outputs should be left unconnected.
23	OUT3b	O	<b>Output Clock</b>
24	OUT3	O	Termination recommendations are provided in <a href="#">3.3 HCSL Differential Output Terminations</a> . Unused outputs should be left unconnected.
25	VDDO2	P	<b>Supply Voltage (1.8–3.3 V) for OUT2 and OUT3</b> Leave VDDOx pins of unused output drivers unconnected. An alternate option is to connect the VDDOx pin to a power supply and disable the output driver to minimize current consumption.
26	OUT4b	O	<b>Output Clock</b>
27	OUT4	O	100 MHz HCSL output. Termination recommendations are provided in <a href="#">3.3 HCSL Differential Output Terminations</a> . Unused outputs should be left unconnected.
28	VDDO3	P	<b>Supply Voltage (1.8–3.3 V) for OUT4 and OUT5</b> Leave VDDOx pins of unused output drivers unconnected. An alternate option is to connect the VDDOx pin to a power supply and disable the output driver to minimize current consumption.
29	OUT5b	O	<b>Output Clock</b>
30	OUT5	O	100 MHz HCSL output. Termination recommendations are provided in <a href="#">3.3 HCSL Differential Output Terminations</a> . Unused outputs should be left unconnected.
31	OEb_OUT4	I	Output enable pin for OUT4. Low = output enabled High = output disabled
32	OEb_OUT5	I	Output enable pin for OUT5. Low = output enabled High = output disabled
33	VDDO4	P	<b>Supply Voltage (1.8–3.3 V) for OUT6</b> Leave VDDOx pins of unused output drivers unconnected. An alternate option is to connect the VDDOx pin to a power supply and disable the output driver to minimize current consumption.

Pin Number	Pin Name	Pin Type	Function
34	OUT6b	O	<b>Output Clock</b>
35	OUT6	O	100 MHz HCSL output. Termination recommendations are provided in <a href="#">3.3 HCSL Differential Output Terminations</a> . Unused outputs should be left unconnected.
36	OEb_OUT6	I	Output enable pin for OUT6. Low = output enabled High = output disabled
37	OEb_OUT7	I	Output enable pin for OUT7. Low = output enabled High = output disabled
38	OUT7b	O	<b>Output Clock</b>
39	OUT7	O	100 MHz HCSL output. Termination recommendations are provided in <a href="#">3.3 HCSL Differential Output Terminations</a> . Unused outputs should be left unconnected.
40	VDDO5	P	<b>Supply Voltage (1.8–3.3 V) for OUT7</b> Leave VDDOx pins of unused output drivers unconnected. An alternate option is to connect the VDDOx pin to a power supply and disable the output driver to minimize current consumption.
41	GND PAD	P	<b>Ground Pad</b> This pad provides electrical and thermal connection to ground and must be connected for proper operation.

### 6.2 Si53258A-D02AM Pin Descriptions (40-QFN)

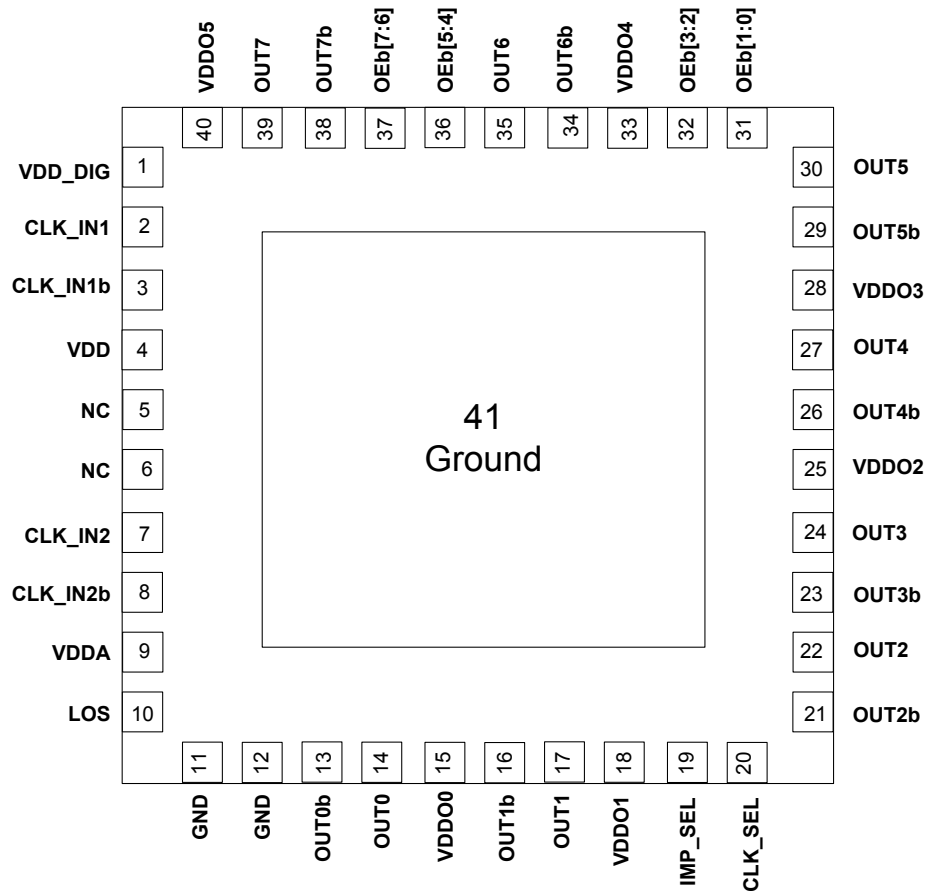


Figure 6.2. Si53258A-D02-AM 40-QFN

Table 6.2. Si53258A-D02AM Pin Descriptions (40-QFN)

Pin Number	Pin Name	Pin Type	Function
1	VDD_DIG	P	Voltage supply for digital functions. Connect to 1.8–3.3 V. Part of internal core VDD voltage. Must be connected to same voltage as VDDA.
2	CLK_IN1	I	100 MHz HCSL Clock1 input. These pins are high-impedance and must be terminated externally. If both the CLK_IN1 and CLK_IN1b inputs are unused and deselected, then both inputs can be left floating.
3	CLK_IN1b	I	
4	VDD	P	Voltage supply. Connect to 1.8–3.3 V. Part of internal core VDD voltage. Must be connected to same voltage as VDDA and VDD_DIG.
5	NC	I	Do not connect these pins to anything.
6	NC	I	
7	CLK_IN2	I	100 MHz HCSL Clock2 input. These pins are high-impedance and must be terminated externally. If both the CLK_IN2 and CLK_IN2b inputs are unused and deselected, then both inputs can be left floating.
8	CLK_IN2b	I	
9	VDDA	P	Core Supply Voltage. Connect to 1.8–3.3 V. Must be connected to same voltage as VDD_DIG and VDD.
10	LOS	O	The LOS status pin indicates whether the reference input has dropped below approximately 10 MHz. LOS is active low, open drain output and requires an external pull-up resistor of 1 to 10 k $\Omega$ for proper operation. If LOS is not required, this pin can be left unconnected.  0 = reference input has dropped below approx. 10 MHz 1 = reference input is present (>10 MHz)
11	GND	P	Connect this pin to ground.
12	GND	P	Connect this pin to ground.
13	OUT0b	O	<b>Output Clock</b>
14	OUT0	O	100 MHz HCSL output. Termination recommendations are provided in <a href="#">3.3 HCSL Differential Output Terminations</a> . Unused outputs should be left unconnected.
15	VDDO0	P	<b>Supply Voltage (1.8–3.3 V) for OUT0</b> Leave VDDOx pins of unused output drivers unconnected. An alternate option is to connect the VDDOx pin to a power supply and disable the output driver to minimize current consumption.
16	OUT1b	O	<b>Output Clock</b>
17	OUT1	O	100 MHz HCSL output. Termination recommendations are provided in <a href="#">3.3 HCSL Differential Output Terminations</a> . Unused outputs should be left unconnected.
18	VDDO1	P	<b>Supply Voltage (1.8–3.3 V) for OUT1</b> Leave VDDOx pins of unused output drivers unconnected. An alternate option is to connect the VDDOx pin to a power supply and disable the output driver to minimize current consumption.
19	IMP_SEL	I	Impedance select pin for output drivers. IMP_SEL pin is sampled at power-up only.  Low = 100 $\Omega$ High = 85 $\Omega$

Pin Number	Pin Name	Pin Type	Function
20	CLK_SEL	I	Input clock select. Low = CLK_IN1 High = CLK_IN2
21	OUT2b	O	<b>Output Clock</b>
22	OUT2	O	100 MHz HCSL output. Termination recommendations are provided in <a href="#">3.3 HCSL Differential Output Terminations</a> . Unused outputs should be left unconnected.
23	OUT3b	O	<b>Output Clock</b>
24	OUT3	O	Termination recommendations are provided in <a href="#">3.3 HCSL Differential Output Terminations</a> . Unused outputs should be left unconnected.
25	VDDO2	P	<b>Supply Voltage (1.8–3.3 V) for OUT2 and OUT3</b> Leave VDDOx pins of unused output drivers unconnected. An alternate option is to connect the VDDOx pin to a power supply and disable the output driver to minimize current consumption.
26	OUT4b	O	<b>Output Clock</b>
27	OUT4	O	100 MHz HCSL output. Termination recommendations are provided in <a href="#">3.3 HCSL Differential Output Terminations</a> . Unused outputs should be left unconnected.
28	VDDO3	P	<b>Supply Voltage (1.8–3.3 V) for OUT4 and OUT5</b> Leave VDDOx pins of unused output drivers unconnected. An alternate option is to connect the VDDOx pin to a power supply and disable the output driver to minimize current consumption.
29	OUT5b	O	<b>Output Clock</b>
30	OUT5	O	100 MHz HCSL output. Termination recommendations are provided in <a href="#">3.3 HCSL Differential Output Terminations</a> . Unused outputs should be left unconnected.
31	OEB[1:0]	I	Output enable pin for OUT1 and OUT0. Low = output enabled High = output disabled
32	OEB[3:2]	I	Output enable pin for OUT2 and OUT3. Low = output enabled High = output disabled
33	VDDO4	P	<b>Supply Voltage (1.8–3.3 V) for OUT6</b> Leave VDDOx pins of unused output drivers unconnected. An alternate option is to connect the VDDOx pin to a power supply and disable the output driver to minimize current consumption.
34	OUT6b	O	<b>Output Clock</b>
35	OUT6	O	100 MHz HCSL output. Termination recommendations are provided in <a href="#">3.3 HCSL Differential Output Terminations</a> . Unused outputs should be left unconnected.
36	OEB[5:4]	I	Output enable pin for OUT1 and OUT0. Low = output enabled High = output disabled

Pin Number	Pin Name	Pin Type	Function
37	OEb[7:6]	I	Output enable pin for OUT6 and OUT7. Low = output enabled High = output disabled
38	OUT7b	O	<b>Output Clock</b>
39	OUT7	O	100 MHz HCSL output. Termination recommendations are provided in <a href="#">3.3 HCSL Differential Output Terminations</a> . Unused outputs should be left unconnected.
40	VDDO5	P	<b>Supply Voltage (1.8–3.3 V) for OUT7</b> Leave VDDOx pins of unused output drivers unconnected. An alternate option is to connect the VDDOx pin to a power supply and disable the output driver to minimize current consumption.
41	GND PAD	P	<b>Ground Pad</b> This pad provides electrical and thermal connection to ground and must be connected for proper operation.



## 6.3 Si53254A-D01AM Pin Descriptions (32-QFN)

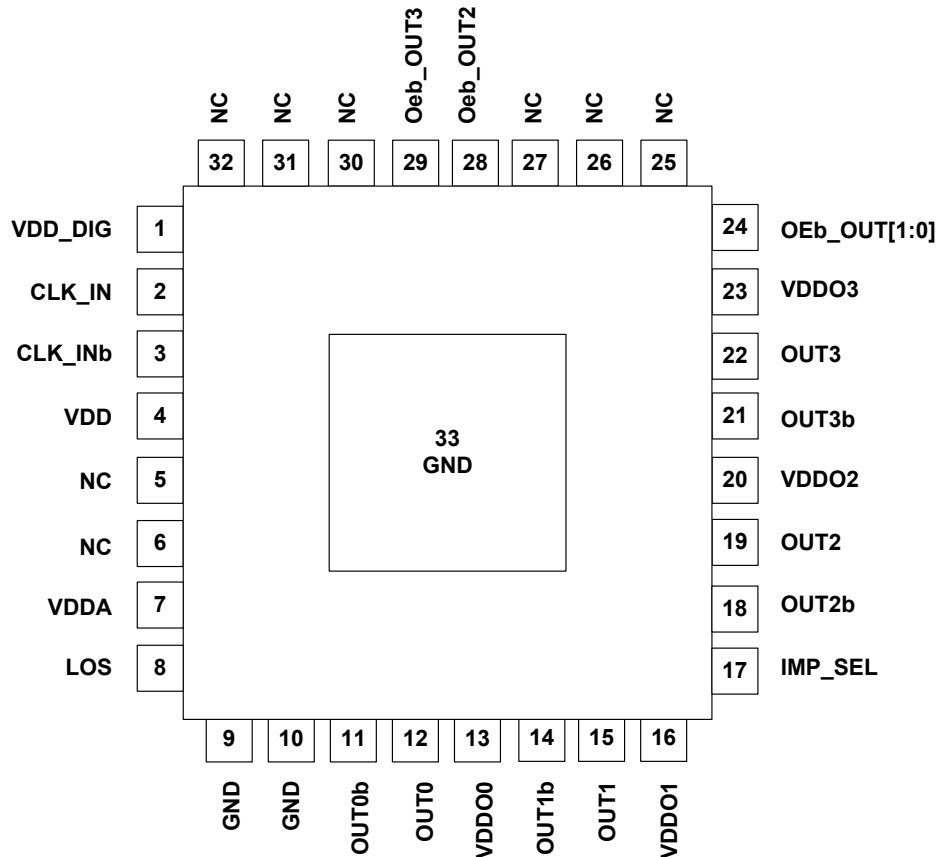


Figure 6.3. Si53254A-D01AM 32-QFN

Table 6.3. Si53254A-D01AM Pin Descriptions, (32-QFN)

Pin Number	Pin Name	Pin Type	Function
1	VDD_DIG	P	Voltage supply for digital functions. Connect to 1.8–3.3 V. Part of internal core VDD voltage. Must be connected to same voltage as VDDA and VDD.
2	CLK_IN	I	100 MHz HCSL Clock Input
3	CLK_INb	I	These pins are high-impedance and must be terminated externally.
4	VDD		Voltage supply. Connect to 1.8–3.3 V. Part of internal core VDD voltage. Must be connected to same voltage as VDDA and VDD_DIG.
5	NC	—	Do not connect these pins to anything.
6	NC	—	
7	VDDA	P	Core Supply Voltage. Connect to 1.8–3.3 V. See the <a href="#">Si5332-AM1/2/3 Family Reference Manual</a> for power supply filtering recommendations. Must be connected to same voltage as VDD_DIG and VDD.

Pin Number	Pin Name	Pin Type	Function
8	LOS	O	<p>The LOS status pin indicates whether the reference clock input is above 10 MHz. LOS is active low, open drain output and requires an external pull-up resistor of 1 to 10 k<math>\Omega</math> for proper operation. If LOS is not required, this pin can be left unconnected.</p> <p>0 = reference input has dropped below 10 MHz 1 = reference present (&gt;10 MHz)</p>
9	GND	P	Connect these pins to ground.
10	GND	P	
11	OUT0b	O	<b>Output Clock</b>
12	OUT0	O	100 MHz HCSL output. Termination recommendations are provided in <a href="#">3.3 HCSL Differential Output Terminations</a> . Unused outputs should be left unconnected.
13	VDDO0	P	<p><b>Supply Voltage (1.8–3.3 V) for OUT0</b></p> <p>See the <a href="#">Si5332-AM1/2/3 Family Reference Manual</a> for power supply filtering recommendations.</p> <p>Leave VDDOx pins of unused output drivers unconnected. An alternate option is to connect the VDDOx pin to a power supply and disable the output driver to minimize current consumption.</p>
14	OUT1b	O	<b>Output Clock</b>
15	OUT1	O	100 MHz HCSL output. Termination recommendations are provided in <a href="#">3.3 HCSL Differential Output Terminations</a> . Unused outputs should be left unconnected.
16	VDDO1	P	<p><b>Supply Voltage (1.8–3.3 V) for OUT1</b></p> <p>Leave VDDOx pins of unused output drivers unconnected. An alternate option is to connect the VDDOx pin to a power supply and disable the output driver to minimize current consumption.</p>
17	IMP_SEL	I	<p>Impedance select pin for output drivers. IMP_SEL pin is sampled at power-up only.</p> <p>Low = 100 <math>\Omega</math> High = 85 <math>\Omega</math></p>
18	OUT2b	O	<b>Output Clock</b>
19	OUT2	O	100 MHz HCSL output. Termination recommendations are provided in <a href="#">3.3 HCSL Differential Output Terminations</a> . Unused outputs should be left unconnected.
20	VDDO2	P	<p><b>Supply Voltage (1.8–3.3 V) for OUT2</b></p> <p>Leave VDDOx pins of unused output drivers unconnected. An alternate option is to connect the VDDOx pin to a power supply and disable the output driver to minimize current consumption.</p>
21	OUT3b	O	<b>Output Clock</b>
22	OUT3	O	100 MHz HCSL output. Termination recommendations are provided in <a href="#">3.3 HCSL Differential Output Terminations</a> . Unused outputs should be left unconnected.
23	VDDO3	P	<p><b>Supply Voltage (1.8–3.3 V) for OUT3</b></p> <p>Leave VDDOx pins of unused output drivers unconnected. An alternate option is to connect the VDDOx pin to a power supply and disable the output driver to minimize current consumption.</p>

Pin Number	Pin Name	Pin Type	Function
24	OEb_OUT[1:0]	I	Output enable for OUT1 and OUT0. Low = output enabled High = output disabled
25	NC	—	Do not connect these pins to anything.
26	NC	—	
27	NC	—	
28	OEb_OUT2	I	Output enable for OUT2. Low = output enabled High = output disabled
29	OEb_OUT3	I	Output enable for OUT3. Low = output enabled High = output disabled
30	NC	—	Do not connect these pins to anything.
31	NC	—	
32	NC	—	
33	GND PAD	P	<b>Ground Pad</b> This pad provides electrical and thermal connection to ground and must be connected for proper operation.

6.4 Si53254A-D02AM Pin Descriptions (40-QFN)

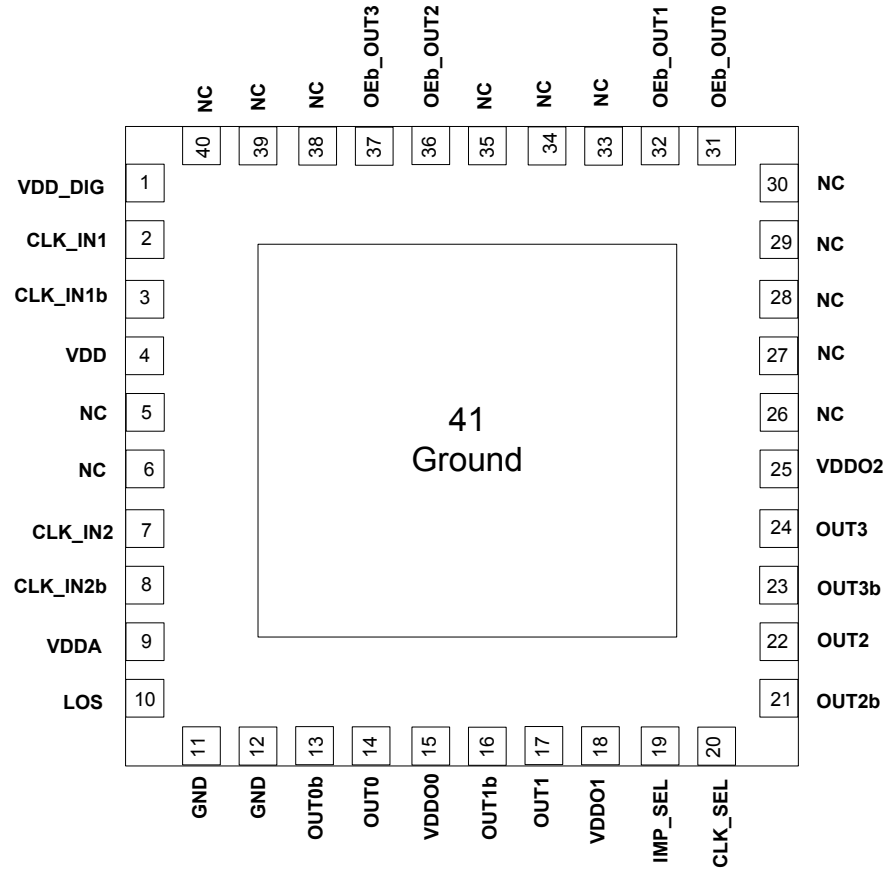


Figure 6.4. Si53254A-D02AM 40-QFN

Table 6.4. Si53254A-D02AM Pin Descriptions (40-QFN)

Pin Number	Pin Name	Pin Type	Function
1	VDD_DIG	P	Voltage supply for digital functions. Connect to 1.8–3.3 V. Part of internal core VDD voltage. Must be connected to same voltage as VDDA and VDD.
2	CLK_IN	I	100MHz HCSL clock input. These pins are high-impedance and must be terminated externally.
3	CLK_INb	I	
4	VDD	P	Voltage supply. Connect to 1.8–3.3 V. Part of internal core VDD voltage. Must be connected to same voltage as VDDA.
5	NC	I	Do not connect these pins to anything.
6	NC	I	
7	CLK_IN2	I	100 MHz HCSL clock input. These pins are high-impedance and terminated externally.
8	CLK_IN2b	I	
9	VDDA	P	Core Supply Voltage. Connect to 1.8–3.3 V. Must be connected to same voltage as VDD_DIG and VDD.
10	LOS	O	The LOS status pin indicates if the reference clock input is above 10 MHz. LOS is active low, open drain output and requires an external pull-up resistor of 1 to 10 k $\Omega$ for proper operation. If LOS is not required, this pin can be left unconnected.  0 = reference input has dropped below 10 MHz 1 = reference present (>10 MHz)
11	GND	P	Connect these pins to ground.
12	GND	P	
13	OUT0b	O	<b>Output Clock</b>
14	OUT0	O	100 MHz HCSL output. Termination recommendations are provided in <a href="#">3.3 HCSL Differential Output Terminations</a> . Unused outputs should be left unconnected.
15	VDDO0	P	<b>Supply Voltage (1.8–3.3 V) for OUT0</b> Leave VDDOx pins of unused output drivers unconnected. An alternate option is to connect the VDDOx pin to a power supply and disable the output driver to minimize current consumption.
16	OUT1b	O	<b>Output Clock</b>
17	OUT1	O	100 MHz HCSL output. Termination recommendations are provided in <a href="#">3.3 HCSL Differential Output Terminations</a> . Unused outputs should be left unconnected.
18	VDDO1	P	<b>Supply Voltage (1.8–3.3 V) for OUT1</b> Leave VDDOx pins of unused output drivers unconnected. An alternate option is to connect the VDDOx pin to a power supply and disable the output driver to minimize current consumption.
19	IMP_SEL	I	Impedance select pin for output drivers. IMP_SEL pin is sampled at power-up only.  Low = 100 $\Omega$  High = 85 $\Omega$

Pin Number	Pin Name	Pin Type	Function
20	CLK_SEL	I	Input clock select. Low = CLK_IN1 High = CLK_IN2
21	OUT2b	O	<b>Output Clock</b>
22	OUT2	O	100 MHz HCSL output. Termination recommendations are provided in <a href="#">3.3 HCSL Differential Output Terminations</a> . Unused outputs should be left unconnected.
23	OUT3b	O	<b>Output Clock</b>
24	OUT3	O	Termination recommendations are provided in <a href="#">3.3 HCSL Differential Output Terminations</a> . Unused outputs should be left unconnected.
25	VDDO2	P	<b>Supply Voltage (1.8–3.3 V) for OUT2 and OUT3</b> Leave VDDOx pins of unused output drivers unconnected. An alternate option is to connect the VDDOx pin to a power supply and disable the output driver to minimize current consumption.
26	NC	—	Do not connect these pins to anything.
27	NC	—	
28	NC	—	
29	NC	—	
30	NC	—	
31	OEb_OUT0	I	Output enable pin for OUT0. Low = output enabled High = output disabled
32	OEb_OUT1	I	Output enable pin for OUT1. Low = output enabled High = output disabled
33	NC	—	Do not connect these pins to anything.
34	NC	—	
35	NC	—	
36	OEb_OUT2	I	Output enable pin for OUT2. Low = output enabled High = output disabled
37	OEb_OUT3	I	Output enable pin for OUT3. Low = output enabled High = output disabled
38	NC	—	Do not connect these pins to anything.
39	NC	—	
40	NC	—	

Pin Number	Pin Name	Pin Type	Function
41	GND PAD	P	<b>Ground Pad</b> This pad provides electrical and thermal connection to ground and must be connected for proper operation.

## 7. Package Outline

### 7.1 6x6 mm 40-QFN Package Diagram

The figure below illustrates the package details for 40-QFN. The table below lists the values for the dimensions shown in the illustration.

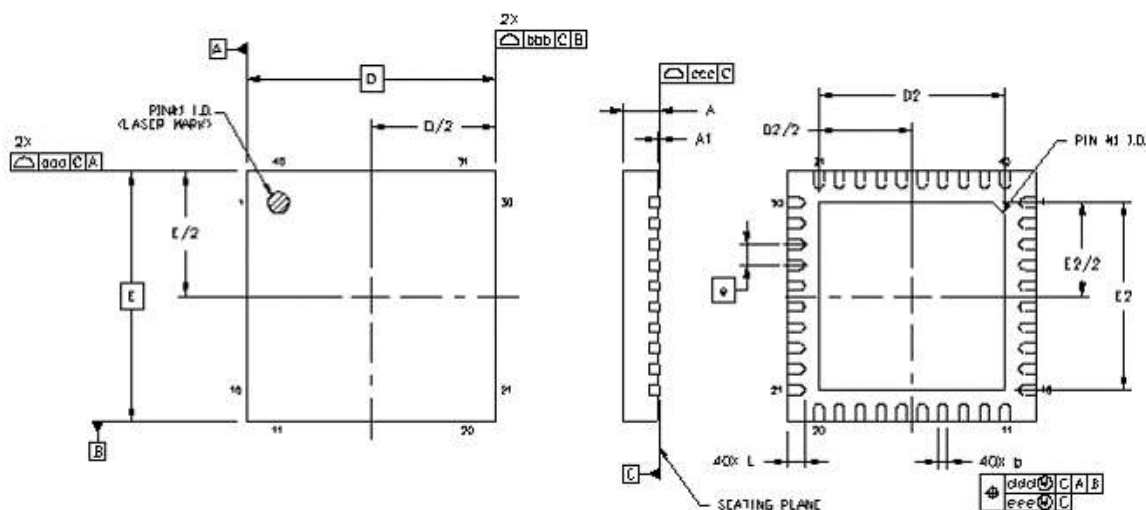


Figure 7.1. 40-Pin Quad Flat No-Lead (QFN)

Table 7.1. Package Dimensions

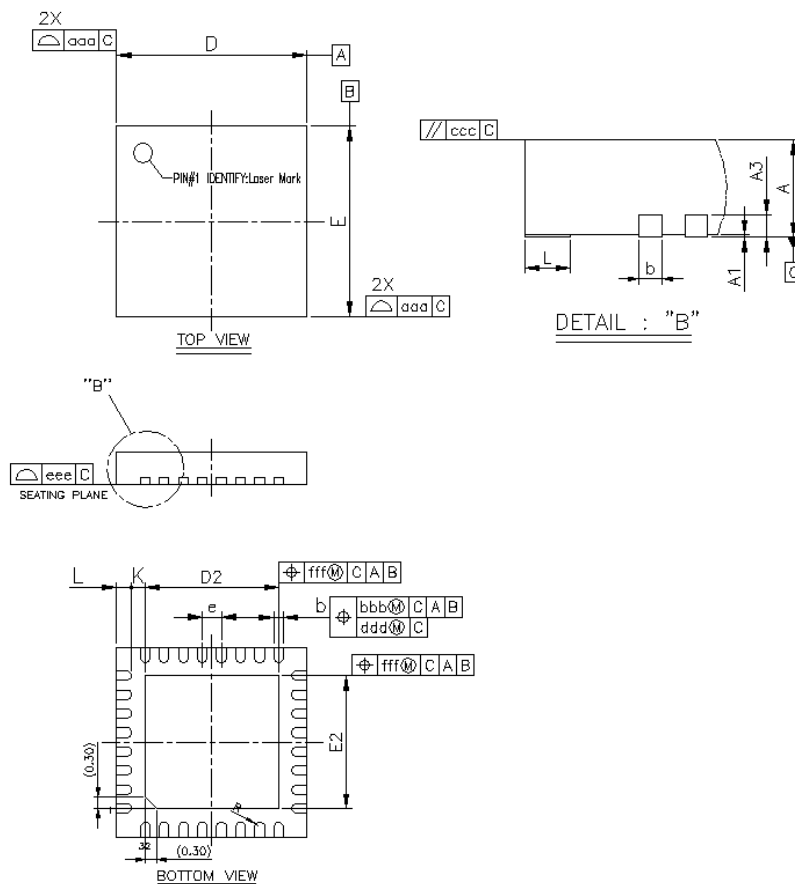
Dimension	Min	Nom	Max
A	0.80	0.85	0.90
A1	0.00	0.02	0.05
b	0.18	0.25	0.30
D	6.00 BSC		
D2	4.35	4.50	4.65
e	0.50 BSC		
E	6.00 BSC		
E2	4.35	4.50	4.65
L	0.30	0.40	0.50
aaa	—	—	0.15
bbb	—	—	0.15
ccc	—	—	0.08
ddd	—	—	0.10
eee	—	—	0.05



Dimension	Min	Nom	Max
<b>Notes:</b> <ol style="list-style-type: none"><li>1. All dimensions shown are in millimeters (mm) unless otherwise noted.</li><li>2. Dimensioning and Tolerancing per ANSI Y14.5M-1994.</li><li>3. This drawing conforms to the JEDEC Solid State Outline MO-220.</li><li>4. Recommended card reflow profile is per the JEDEC/IPC J-STD-020 specification for Small Body Components.</li></ol>			

### 7.2 5x5 mm 32-QFN Package Diagram

The figure below illustrates the package details for 32-QFN option. The table below lists the values for the dimensions shown in the illustration.



**Figure 7.2. 32-Pin Quad Flat No-Lead (QFN)**

**Table 7.2. Package Dimensions**

Dimension	MIN	NOM	MAX
A	0.80	0.85	0.90
A1	0.00	0.02	0.05
A3	0.20 REF		
b	0.18	0.25	0.30
D/E	4.90	5.00	5.10
D2/E2	3.40	3.50	3.60
e	0.50 BSC		
L	0.30	0.40	0.50
K	0.20	---	---
R	0.09	---	0.14
aaa	0.15		
bbb	0.10		
ccc	0.10		

Dimension	MIN	NOM	MAX
ddd		0.05	
eee		0.08	
fff		0.10	

**Notes:**

1. All dimensions shown are in millimeters (mm) unless otherwise noted.
2. Dimensioning and Tolerancing per ANSI Y14.5M-1994.
3. This drawing conforms to the JEDEC Solid State Outline MO-220, Variation VKKD-4.
4. Recommended card reflow profile is per the JEDEC/IPC J-STD-020 specification for Small Body Components.

## 8. PCB Land Pattern

### 8.1 40-QFN Land Pattern

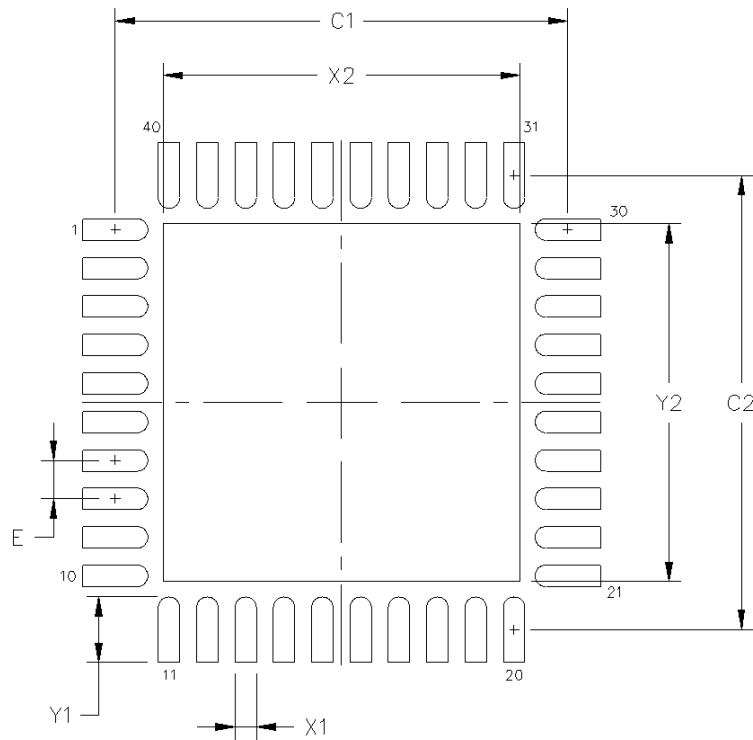


Figure 8.1. 40-QFN Land Pattern

Table 8.1. PCB Land Pattern Dimensions

Dimension	mm
C1	5.90
C2	5.90
e	0.50 BSC
X1	0.30
Y1	0.85
X2	4.65
Y2	4.65

Dimension	mm
<p><b>Notes:</b></p> <p><b>General</b></p> <ol style="list-style-type: none"><li>1. All dimensions shown are in millimeters (mm) unless otherwise noted.</li><li>2. This Land Pattern Design is based on the IPC-7351 guidelines.</li></ol> <p><b>Solder Mask Design</b></p> <ol style="list-style-type: none"><li>1. All metal pads are to be non-solder mask defined (NSMD). Clearance between the solder mask and the metal pad is to be 60 <math>\mu\text{m}</math> minimum, all the way around the pad.</li></ol> <p><b>Stencil Design</b></p> <ol style="list-style-type: none"><li>1. A stainless steel, laser-cut and electro-polished stencil with trapezoidal walls should be used to assure good solder paste release.</li><li>2. The stencil thickness should be 0.125 mm (5 mils).</li><li>3. The ratio of stencil aperture to land pad size can be 1:1 for all perimeter pads.</li><li>4. A 3<math>\times</math>3 array of 0.85 mm square openings on a 1.00 mm pitch can be used for the center ground pad.</li></ol> <p><b>Card Assembly</b></p> <ol style="list-style-type: none"><li>1. A No-Clean, Type-3 solder paste is recommended.</li><li>2. The recommended card reflow profile is per the JEDEC/IPC J-STD-020 specification for Small Body Components.</li></ol>	

## 8.2 32-QFN Land Pattern

The figure below illustrates the PCB land pattern details for 32-QFN package. The table below lists the values for the dimensions shown in the illustration.

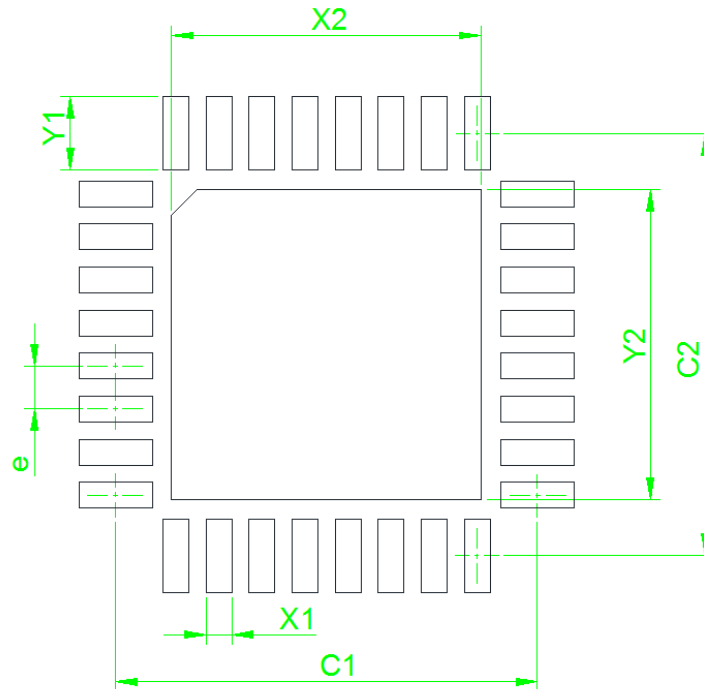


Figure 8.2. 32-QFN Land Pattern

Table 8.2. PCB Land Pattern Dimensions

Dimension	mm
C1	4.90
C2	4.90
e	0.50 BSC
X1	0.30
Y1	0.85
X2	3.60
Y2	3.60

Dimension	mm
<p><b>Notes:</b></p> <p><b>General</b></p> <ol style="list-style-type: none"><li>1. All dimensions shown are in millimeters (mm) unless otherwise noted.</li><li>2. This Land Pattern Design is based on the IPC-7351 guidelines.</li></ol> <p><b>Solder Mask Design</b></p> <ol style="list-style-type: none"><li>1. All metal pads are to be non-solder mask defined (NSMD). Clearance between the solder mask and the metal pad is to be 60 <math>\mu\text{m}</math> minimum, all the way around the pad.</li></ol> <p><b>Stencil Design</b></p> <ol style="list-style-type: none"><li>1. A stainless steel, laser-cut and electro-polished stencil with trapezoidal walls should be used to assure good solder paste release.</li><li>2. The stencil thickness should be 0.125 mm (5 mils).</li><li>3. The ratio of stencil aperture to land pad size can be 1:1 for all perimeter pads.</li><li>4. A 3<math>\times</math>3 array of 0.85 mm square openings on a 1.00 mm pitch can be used for the center ground pad.</li></ol> <p><b>Card Assembly</b></p> <ol style="list-style-type: none"><li>1. A No-Clean, Type-3 solder paste is recommended.</li><li>2. The recommended card reflow profile is per the JEDEC/IPC J-STD-020 specification for Small Body Components.</li></ol>	

## 9. Top Marking

### Standard Factory Default Configuration

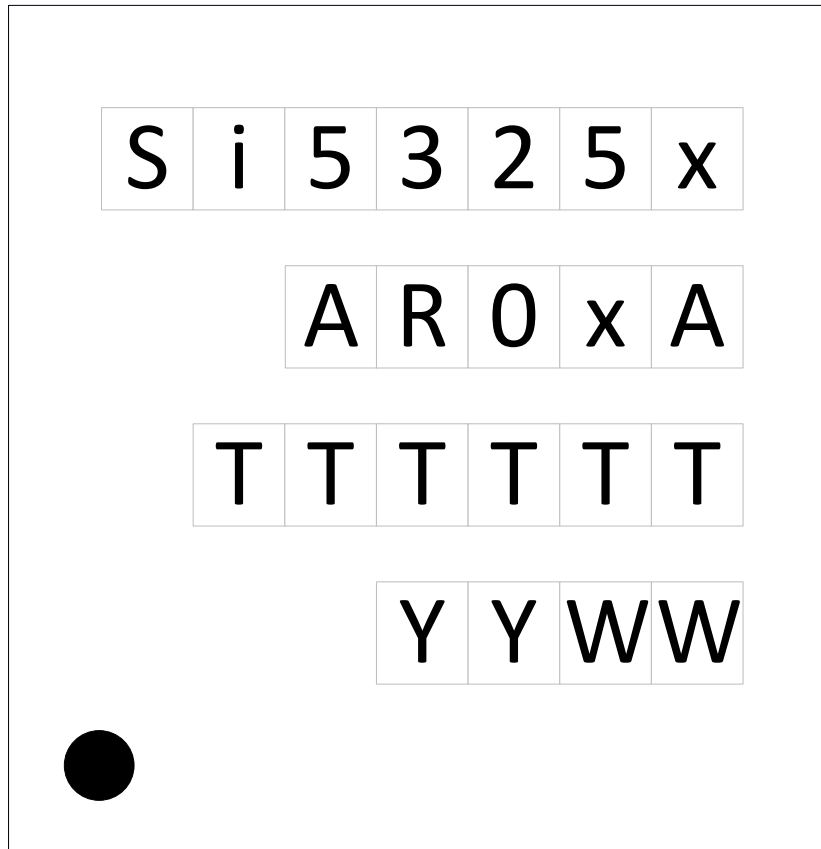


Figure 9.1. Top Marking

Table 9.1. Top Marking Explanation

Line	Characters	Description
1	Si53258 Si53254	Base part number
2	A-D0xA	A = Grade R = Product revision (reference ordering section for latest revision) 0x = Product identification, single input: <ul style="list-style-type: none"> <li>• 01 = Single input</li> <li>• 02 = Dual input</li> </ul> A = Automotive grade temperature range
3	TTTTTT	Manufacturing trace code
4	YYWW	Year (YY) and work week (WW) of package assembly



## 10. Revision History

### Revision A

July, 2022

- Added Agile data sheet revision in footer.

### Revision 1.1

May, 2022

- Added [3.2 Input Clock Termination](#).
- Added [Table 5.4 Control Pins on page 12](#).

### Revision 1.0

January, 2021

- Updated notes in [Table 5.5 Differential Clock Output Specifications on page 12](#).
- Removed “default low” from OEb pin descriptions.

### Revision 0.7

September, 2019

- Initial release.



## ClockBuilder Pro

One-click access to Timing tools, documentation, software, source code libraries & more. Available for Windows and iOS (CBGo only).

[skyworksinc.com/CBPro](http://skyworksinc.com/CBPro)



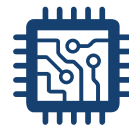
**Portfolio**

[skyworksinc.com](http://skyworksinc.com)



**SW/HW**

[skyworksinc.com/CBPro](http://skyworksinc.com/CBPro)



**Quality**

[skyworksinc.com/quality](http://skyworksinc.com/quality)



**Support & Resources**

[skyworksinc.com/support](http://skyworksinc.com/support)

**Copyright © 2022 Skyworks Solutions, Inc. All Rights Reserved.**

Information in this document is provided in connection with Skyworks Solutions, Inc. ("Skyworks") products or services. These materials, including the information contained herein, are provided by Skyworks as a service to its customers and may be used for informational purposes only by the customer. Skyworks assumes no responsibility for errors or omissions in these materials or the information contained herein. Skyworks may change its documentation, products, services, specifications or product descriptions at any time, without notice. Skyworks makes no commitment to update the materials or information and shall have no responsibility whatsoever for conflicts, incompatibilities, or other difficulties arising from any future changes.

No license, whether express, implied, by estoppel or otherwise, is granted to any intellectual property rights by this document. Skyworks assumes no liability for any materials, products or information provided hereunder, including the sale, distribution, reproduction or use of Skyworks products, information or materials, except as may be provided in Skyworks' Terms and Conditions of Sale.

THE MATERIALS, PRODUCTS AND INFORMATION ARE PROVIDED "AS IS" WITHOUT WARRANTY OF ANY KIND, WHETHER EXPRESS, IMPLIED, STATUTORY, OR OTHERWISE, INCLUDING FITNESS FOR A PARTICULAR PURPOSE OR USE, MERCHANTABILITY, PERFORMANCE, QUALITY OR NON-INFRINGEMENT OF ANY INTELLECTUAL PROPERTY RIGHT; ALL SUCH WARRANTIES ARE HEREBY EXPRESSLY DISCLAIMED. SKYWORKS DOES NOT WARRANT THE ACCURACY OR COMPLETENESS OF THE INFORMATION, TEXT, GRAPHICS OR OTHER ITEMS CONTAINED WITHIN THESE MATERIALS. SKYWORKS SHALL NOT BE LIABLE FOR ANY DAMAGES, INCLUDING BUT NOT LIMITED TO ANY SPECIAL, INDIRECT, INCIDENTAL, STATUTORY, OR CONSEQUENTIAL DAMAGES, INCLUDING WITHOUT LIMITATION, LOST REVENUES OR LOST PROFITS THAT MAY RESULT FROM THE USE OF THE MATERIALS OR INFORMATION, WHETHER OR NOT THE RECIPIENT OF MATERIALS HAS BEEN ADVISED OF THE POSSIBILITY OF SUCH DAMAGE

Skyworks products are not intended for use in medical, lifesaving or life-sustaining applications, or other equipment in which the failure of the Skyworks products could lead to personal injury, death, physical or environmental damage. Skyworks customers using or selling Skyworks products for use in such applications do so at their own risk and agree to fully indemnify Skyworks for any damages resulting from such improper use or sale.

Customers are responsible for their products and applications using Skyworks products, which may deviate from published specifications as a result of design defects, errors, or operation of products outside of published parameters or design specifications. Customers should include design and operating safeguards to minimize these and other risks. Skyworks assumes no liability for applications assistance, customer product design, or damage to any equipment resulting from the use of Skyworks products outside of Skyworks' published specifications or parameters.

Skyworks, the Skyworks symbol, Sky5®, SkyOne®, SkyBlue™, Skyworks Green™, ClockBuilder®, DSPLL®, ISOmodem®, ProSLIC®, and SiPHY® are trademarks or registered trademarks of Skyworks Solutions, Inc. or its subsidiaries in the United States and other countries. Third-party brands and names are for identification purposes only and are the property of their respective owners. Additional information, including relevant terms and conditions, posted at [www.skyworksinc.com](http://www.skyworksinc.com), are incorporated by reference.

Skyworks Solutions, Inc. | Nasdaq: SWKS | [sales@skyworksinc.com](mailto:sales@skyworksinc.com) | [www.skyworksinc.com](http://www.skyworksinc.com)

USA: 781-376-3000 | Asia: 886-2-2735 0399 | Europe: 33 (0)1 43548540