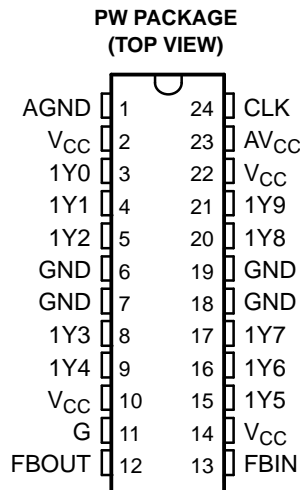


3.3-V PHASE-LOCK LOOP CLOCK DRIVER

FEATURES

- Designed to Meet and Exceed PC133 SDRAM Registered DIMM Specification Rev. 1.1
- Spread Spectrum Clock Compatible
- Operating Frequency 50 MHz to 175 MHz
- Static Phase Error Distribution at 66 MHz to 166 MHz Is ± 125 ps
- Jitter (cyc - cyc) at 66 MHz to 166 MHz Is $|70|$ ps
- Advanced Deep Submicron Process Results in More Than 40% Lower Power Consumption Versus Current Generation PC133 Devices
- Available in Plastic 24-Pin TSSOP
- Phase-Lock Loop Clock Distribution for Synchronous DRAM Applications
- Distributes One Clock Input to One Bank of 10 Outputs
- External Feedback (FBIN) Terminal Is Used to Synchronize the Outputs to the Clock Input
- 25- Ω On-Chip Series Damping Resistors
- No External RC Network Required
- Operates at 3.3 V



**NOT RECOMMENDED
FOR NEW DESIGNS
USE CDCVF2510A AS
A REPLACEMENT**

DESCRIPTION

The CDCVF2510 is a high-performance, low-skew, low-jitter, phase-lock loop (PLL) clock driver. It uses a phase-lock loop (PLL) to precisely align, in both frequency and phase, the feedback (FBOUT) output to the clock (CLK) input signal. It is specifically designed for use with synchronous DRAMs. The CDCVF2510 operates at a 3.3-V V_{CC}. It also provides integrated series-damping resistors that make it ideal for driving point-to-point loads.

One bank of 10 outputs provides 10 low-skew, low-jitter copies of CLK. Output signal duty cycles are adjusted to 50%, independent of the duty cycle at CLK. Outputs are enabled or disabled via the control (G) input. When the G input is high, the outputs switch in phase and frequency with CLK; when the G input is low, the outputs are disabled to the logic-low state.

Unlike many products containing PLLs, the CDCVF2510 does not require external RC networks. The loop filter for the PLL is included on-chip, minimizing component count, board space, and cost.

Because it is based on PLL circuitry, the CDCVF2510 requires a stabilization time to achieve phase lock of the feedback signal to the reference signal. This stabilization time is required following power up and application of a fixed-frequency, a fixed-phase signal at CLK, or following any changes to the PLL reference or feedback signals. The PLL can be bypassed for test purposes by strapping AV_{CC} to ground.

The CDCVF2510 is characterized for operation from 0°C to 85°C.

For application information see the application reports *High Speed Distribution Design Techniques for CDC509/516/2509/2510/2516* (SLMA003) and *Using CDC2509A/2510A PLL With Spread Spectrum Clocking (SSC)* (SCAA039).

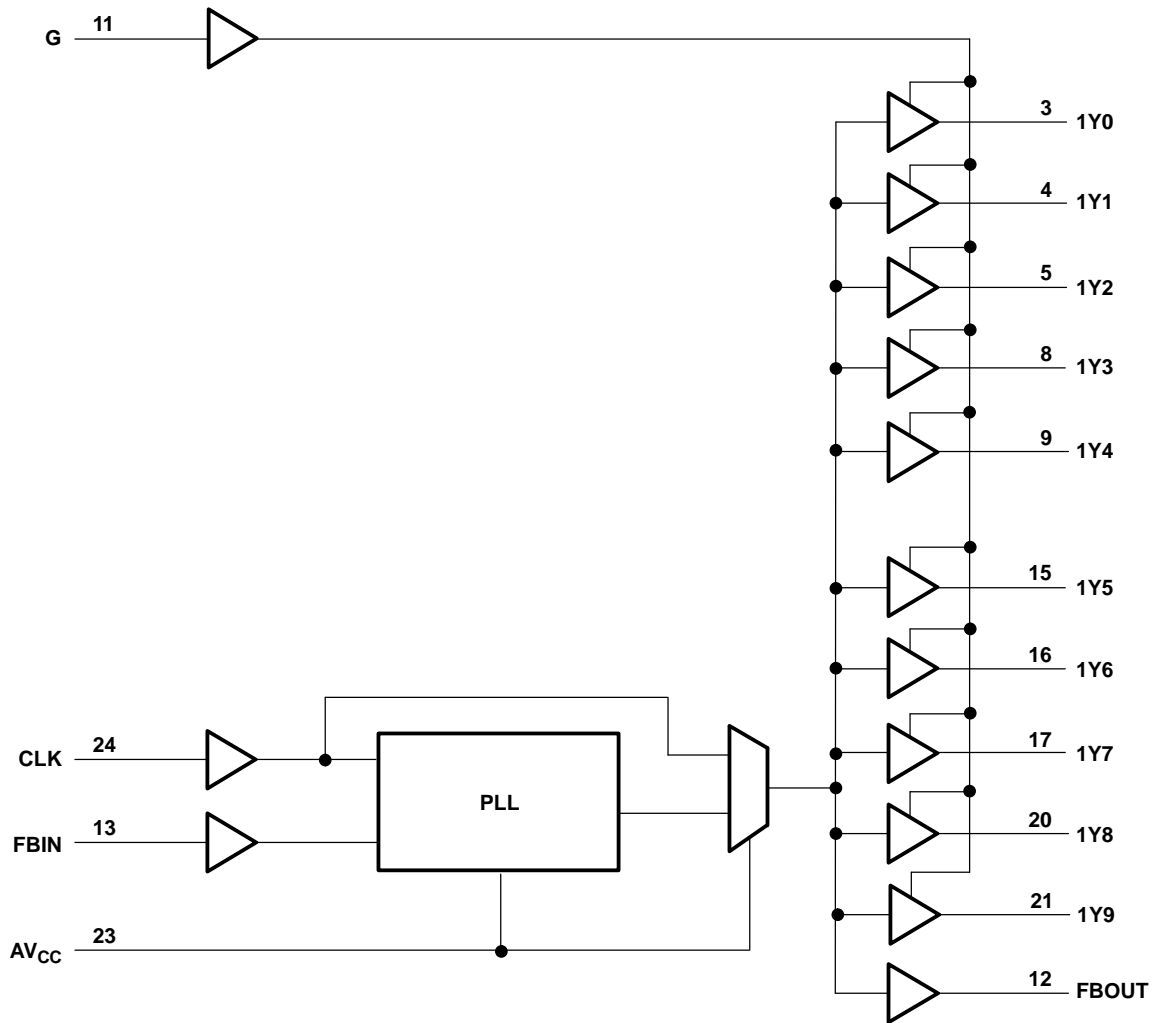


Please be aware that an important notice concerning availability, standard warranty, and use in critical applications of Texas Instruments semiconductor products and disclaimers thereto appears at the end of this data sheet.

FUNCTION TABLE

| INPUTS | | OUTPUTS | |
|--------|-----|----------|-------|
| G | CLK | 1Y (0:9) | FBOUT |
| X | L | L | L |
| L | H | L | H |
| H | H | H | H |

FUNCTIONAL BLOCK DIAGRAM



AVAILABLE OPTIONS

| T _A | PACKAGE |
|----------------|--------------------|
| | SMALL OUTLINE (PW) |
| 0°C to 85°C | CDCVF2510PWR |
| | CDCVF2510PW |

TERMINAL FUNCTIONS

| TERMINAL NAME NO. | | TYPE | DESCRIPTION |
|----------------------|---|--------|--|
| CLK | 24 | I | Clock input. CLK provides the clock signal to be distributed by the CDCVF2510 clock driver. CLK is used to provide the reference signal to the integrated PLL that generates the clock output signals. CLK must have a fixed frequency and fixed phase for the PLL to obtain phase lock. Once the circuit is powered up and a valid CLK signal is applied, a stabilization time is required for the PLL to phase lock the feedback signal to its reference signal. |
| FBIN | 13 | I | Feedback input. FBIN provides the feedback signal to the internal PLL. FBIN must be hard-wired to FBOUT to complete the PLL. The integrated PLL synchronizes CLK and FBIN so that there is nominally zero phase error between CLK and FBIN. |
| G | 11 | I | Output bank enable. G is the output enable for outputs 1Y(0:9). When G is low, outputs 1Y(0:9) are disabled to a logic-low state. When G is high, all outputs 1Y(0:9) are enabled and switch at the same frequency as CLK. |
| FBOUT | 12 | O | Feedback output. FBOUT is dedicated for external feedback. It switches at the same frequency as CLK. When externally wired to FBIN, FBOUT completes the feedback loop of the PLL. FBOUT has an integrated 25-Ω series-damping resistor. |
| 1Y (0:9) | 3, 4, 5, 8, 9, 15, 16, 17, 20, 21 | O | Clock outputs. These outputs provide low-skew copies of CLK. Output bank 1Y(0:9) is enabled via the G input. These outputs can be disabled to a logic-low state by deasserting the G control input. Each output has an integrated 25-Ω series-damping resistor. |
| AV _{CC} | 23 | Power | Analog power supply. AV _{CC} provides the power reference for the analog circuitry. In addition, AV _{CC} can be used to bypass the PLL for test purposes. When AV _{CC} is strapped to ground, PLL is bypassed and CLK is buffered directly to the device outputs. |
| AGND | 1 | Ground | Analog ground. AGND provides the ground reference for the analog circuitry. |
| V _{CC} | 2, 10, 14, 22 | Power | Power supply |
| GND | 6, 7, 18, 19 | Ground | Ground |

ABSOLUTE MAXIMUM RATINGS

over operating free-air temperature range (unless otherwise noted) ⁽¹⁾

| | | UNIT |
|---|--|--|
| AV _{CC} ⁽²⁾ | Supply voltage range | AV _{CC} < V _{CC} + 0.7 V |
| V _{CC} | Supply voltage range | -0.5 V to 4.3 V |
| V _I ⁽³⁾ | Input voltage range | -0.5 V to 4.6 V |
| V _O ⁽⁴⁾ | Voltage range applied to any output in the high or low state | -0.5 V to V _{CC} + 0.5 V |
| I _{IK} (V _I < 0) | Input clamp current | -50 mA |
| I _{OK} (V _O < 0 or V _O > V _{CC}) | Output clamp current | ±50 mA |
| I _O (V _O = 0 to V _{CC}) | Continuous output current | ±50 mA |
| V _{CC} or GND | Continuous current through each | ±100 mA |
| T _A = 55°C (in still air) ⁽⁵⁾ | Maximum power dissipation | 0.7 W |
| T _{stg} | Storage temperature range | -65°C to 150°C |

(1) Stresses beyond those listed under "absolute maximum ratings" may cause permanent damage to the device. These are stress ratings only and functional operation of the device at these or any other conditions beyond those indicated under "recommended operating conditions" is not implied. Exposure to absolute-maximum-rated conditions for extended periods may affect device reliability.

(2) AV_{CC} must not exceed V_{CC} + 0.7 V.

(3) The input and output negative-voltage ratings may be exceeded if the input and output clamp-current ratings are observed.

(4) This value is limited to 4.6 V maximum.

(5) The maximum package power dissipation is calculated using a junction temperature of 150°C and a board trace length of 750 mils. For more information, see the *Package Thermal Considerations* application note in the *ABT Advanced BiCMOS Technology Data Book* (SCBD002).

DISSIPATION RATING TABLE

| PACKAGE | BOARD TYPE ⁽¹⁾ | R _{θJA} | T _A ≤ 25°C POWER RATING | DERATING FACTOR ⁽²⁾ ABOVE T _A = 25°C | T _A = 70°C POWER RATING | T _A = 85°C POWER RATING |
|---------|---------------------------|------------------|------------------------------------|--|------------------------------------|------------------------------------|
| PW | JEDEC low-K | 114.5°C/W | 920 mW | 8.7 mW/°C | 520 mW | 390 mW |
| | JEDEC high-K | 62.1°C/W | 1690 mW | 16.1 mW/°C | 960 mW | 720 mW |

- (1) JEDEC high-K board has better thermal performance due to multiple internal copper planes.
- (2) This is the inverse of the traditional junction-to-ambient thermal resistance (R_{θJA}).

RECOMMENDED OPERATING CONDITIONS ⁽¹⁾

| | | MIN | MAX | UNIT |
|------------------------------------|--------------------------------|-----|-----------------|------|
| V _{CC} , AV _{CC} | Supply voltage | 3 | 3.6 | V |
| V _{IH} | High-level input voltage | 2 | | V |
| V _{IL} | Low-level input voltage | | 0.8 | V |
| V _I | Input voltage | 0 | V _{CC} | V |
| I _{OH} | High-level output current | | -12 | mA |
| I _{OL} | Low-level output current | | 12 | mA |
| T _A | Operating free-air temperature | 0 | 85 | °C |

- (1) Unused inputs must be held high or low to prevent them from floating.

TIMING REQUIREMENTS

over recommended ranges of supply voltage and operating free-air temperature

| | | MIN | MAX | UNIT |
|------------------|-----------------------------------|-----|-----|------|
| f _{clk} | Clock frequency ⁽¹⁾ | 50 | 175 | MHz |
| | Input clock duty cycle | 40% | 60% | |
| | Stabilization time ⁽²⁾ | | 1 | ms |

- (1) To avoid any self oscillation of the PLL, a continuous clock signal has to be present at the clock input.
- (2) Time required for the integrated PLL circuit to obtain phase lock of its feedback signal to its reference signal. For phase lock to be obtained, a fixed-frequency, fixed-phase reference signal must be present at CLK. Until phase lock is obtained, the specifications for propagation delay, skew, and jitter parameters given in the *Switching Characteristics* table are not applicable. This parameter does not apply for input modulation under SSC application.

ELECTRICAL CHARACTERISTICS

over recommended operating free-air temperature range (unless otherwise noted)

| PARAMETER | TEST CONDITIONS | V _{CC} , AV _{CC} | MIN | TYP ⁽¹⁾ | MAX | UNIT |
|-----------------|---------------------------|---|------------|----------------------|------|-------|
| V _{IK} | Input clamp voltage | I _I = -18 mA | 3 V | | -1.2 | V |
| V _{OH} | High-level output voltage | I _{OH} = -100 μA | MIN to MAX | V _{CC} -0.2 | | V |
| | | I _{OH} = -12 mA | 3 V | 2.1 | | |
| | | I _{OH} = -6 mA | 3 V | 2.4 | | |
| V _{OL} | Low-level output voltage | I _{OL} = 100 μA | MIN to MAX | | 0.2 | V |
| | | I _{OL} = 12 mA | 3 V | | 0.8 | |
| | | I _{OL} = 6 mA | 3 V | | 0.55 | |
| I _{OH} | High-level output current | V _O = 1 V | 3 V | -28 | | mA |
| | | V _O = 1.65 V | 3.3 V | | -36 | |
| | | V _O = 3.135 V | 3.6 V | | -8 | |
| I _{OL} | Low-level output current | V _O = 1.95 V | 3 V | 30 | | mA |
| | | V _O = 1.65 V | 3.3 V | | 40 | |
| | | V _O = 0.4 V | 3.6 V | | 10 | |
| I _I | Input current | V _I = V _{CC} or GND | 3.6 V | | | ±5 μA |

- (1) For conditions shown as MIN or MAX, use the appropriate value specified under recommended operating conditions.

ELECTRICAL CHARACTERISTICS (continued)

over recommended operating free-air temperature range (unless otherwise noted)

| PARAMETER | | TEST CONDITIONS | V _{CC} , AV _{CC} | MIN | TYP ⁽¹⁾ | MAX | UNIT |
|--------------------------------|---|---|------------------------------------|-----|--------------------|-----|------|
| I _{CC} ⁽²⁾ | Supply current (static, output not switching) | V _I = V _{CC} or GND, I _O = 0, Outputs: low or high | 3.6 V, 0 V | | | 40 | μA |
| ΔI _{CC} | Change in supply current | One input at V _{CC} - 0.6 V, Other inputs at V _{CC} or GND | 3.3 V to 3.6 V | | | 500 | μA |
| C _i | Input capacitance | V _I = V _{CC} or GND | 3.3 V | | 2.5 | | pF |
| C _o | Output capacitance | V _O = V _{CC} or GND | 3.3 V | | 2.8 | | pF |

(2) For dynamic I_{CC} vs Frequency, see [Figure 8](#) and [Figure 9](#).

SWITCHING CHARACTERISTICS

over recommended ranges of supply voltage and operating free-air temperature, C_L = 25 pF, See ⁽¹⁾ and [Figure 1](#) and [Figure 2](#)

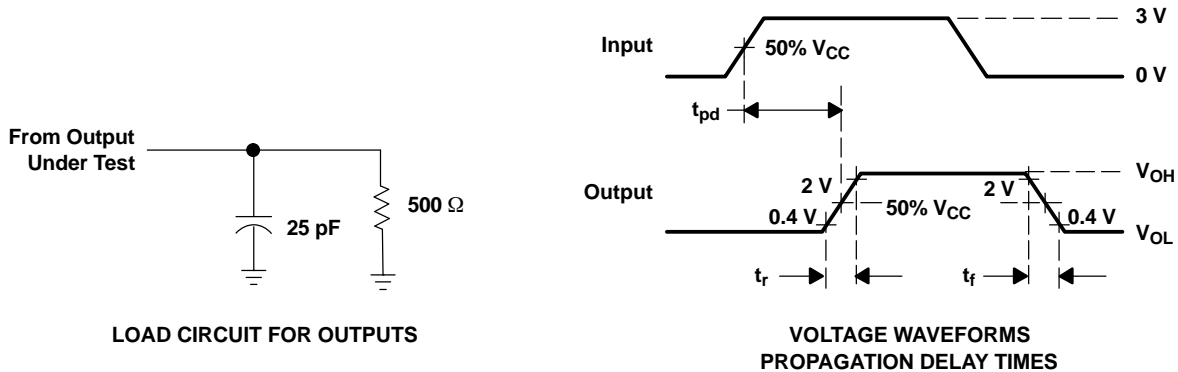
| PARAMETER | FROM (INPUT) | TO (OUTPUT) | V _{CC} , AV _{CC} = 3.3 V ± 0.3 V | | | UNIT |
|---|---|----------------|--|-----|-----|------|
| | | | MIN | TYP | MAX | |
| Phase error time-static (normalized), See Figure 3 through Figure 6 | CLK↑ = 66 MHz to 166 MHz | FBIN↑ | -125 | | 125 | ps |
| t _{sk(o)} | Any Y | Any Y | | | 100 | ps |
| Phase error time-jitter ⁽³⁾ | CLK = 66 MHz to 100 MHz | Any Y or FBOUT | -50 | | 50 | ps |
| | | Any Y or FBOUT | | 70 | | |
| Jitter _(cycle-cycle) : See Figure 7 | CLK = 100 MHz to 166 MHz | Any Y or FBOUT | | 65 | | ps |
| Duty cycle | f _(CLK) > 60 MHz | Any Y or FBOUT | 45% | | 55% | |
| t _r | V _O = 0.4 V to 2 V | Any Y or FBOUT | 0.3 | | 1.1 | ns/V |
| t _f | V _O = 2 V to 0.4 V | Any Y or FBOUT | 0.3 | | 1.1 | ns/V |
| t _{PLH(bypass mode)} | Low-to-high propagation delay time, bypass mode | CLK | 1.8 | | 3.9 | ns |
| t _{PHL(bypass mode)} | High-to-low propagation delay time, bypass mode | CLK | 1.8 | | 3.9 | ns |

(1) These parameters are not production tested.

(2) The t_{sk(o)} specification is only valid for equal loading of all outputs.

(3) Calculated per PC DRAM SPEC (t_{phase error, static} - jitter_(cycle-to-cycle)).

PARAMETER MEASUREMENT INFORMATION



- NOTES: A. C_L includes probe and jig capacitance.
 B. All input pulses are supplied by generators having the following characteristics: $PRR \leq 133$ MHz, $Z_O = 50 \Omega$, $t_r \leq 1.2$ ns, $t_f \leq 1.2$ ns.
 C. The outputs are measured one at a time with one transition per measurement.

Figure 1. Load Circuit and Voltage Waveforms

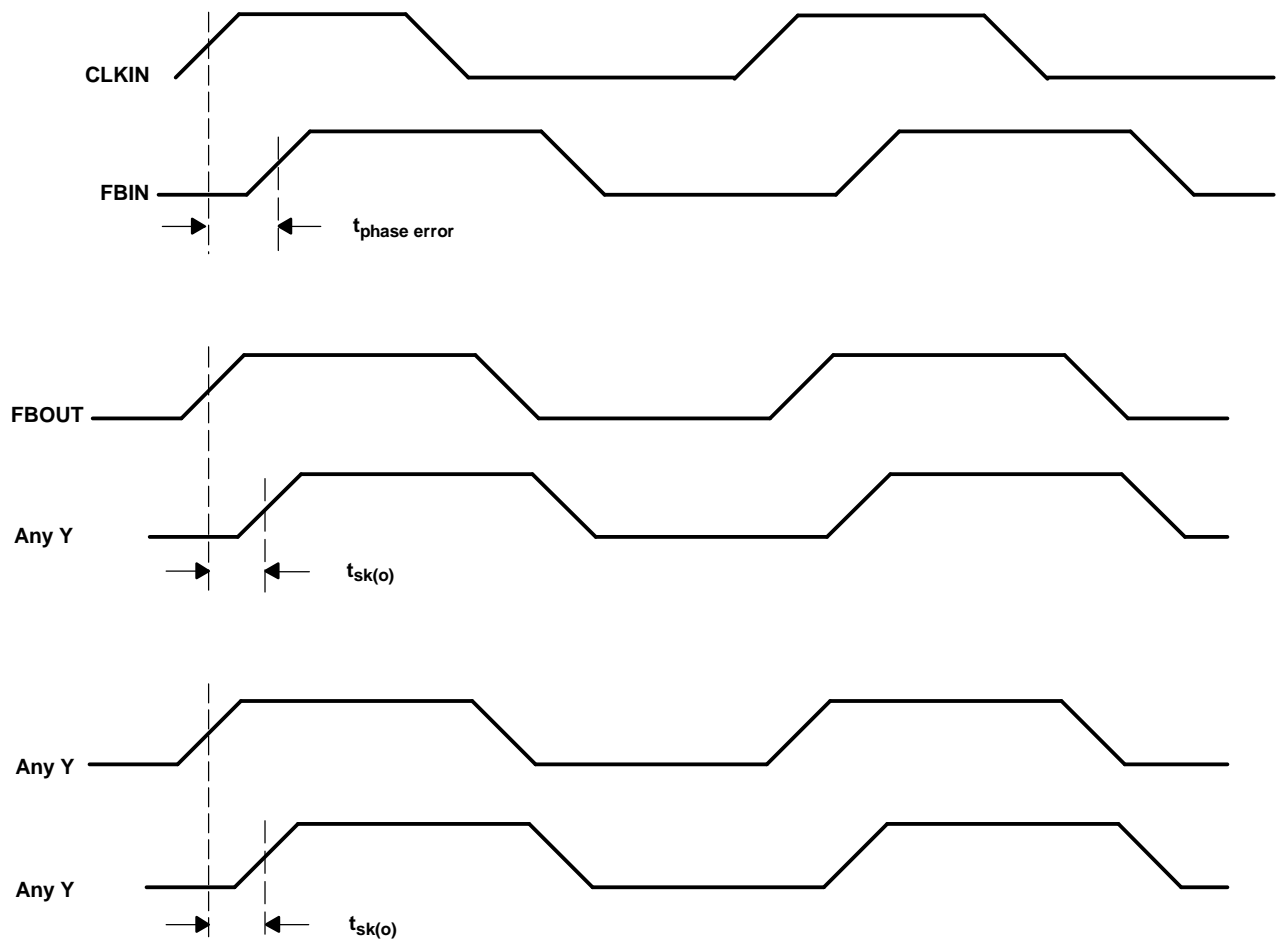


Figure 2. Phase Error and Skew Calculations

TYPICAL CHARACTERISTICS

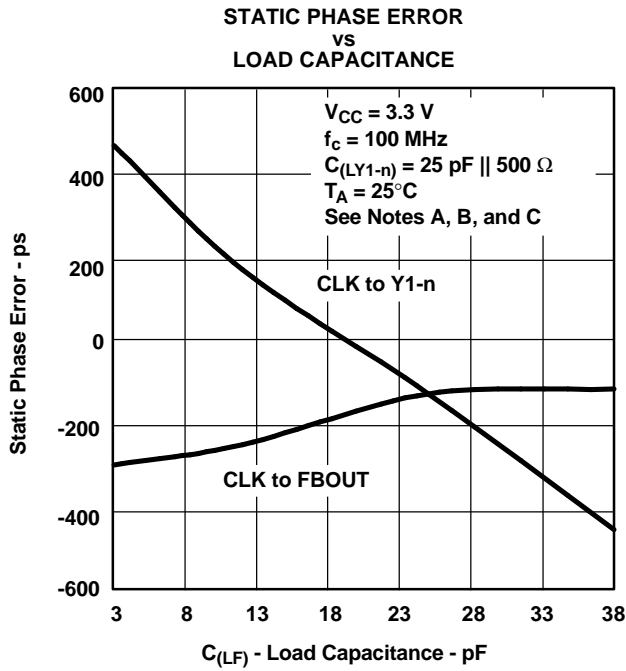


Figure 3.

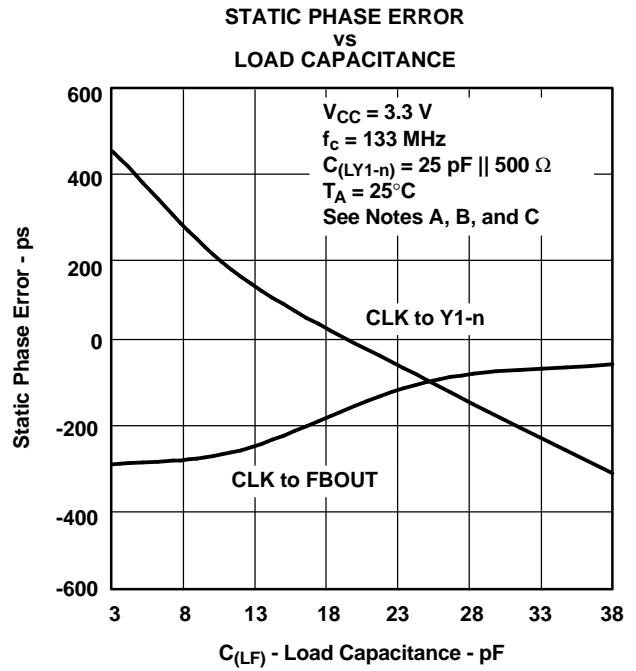


Figure 4.

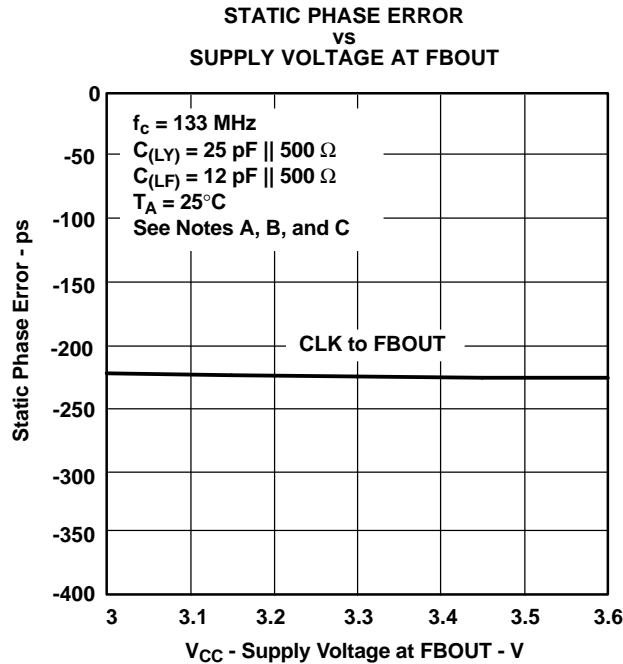
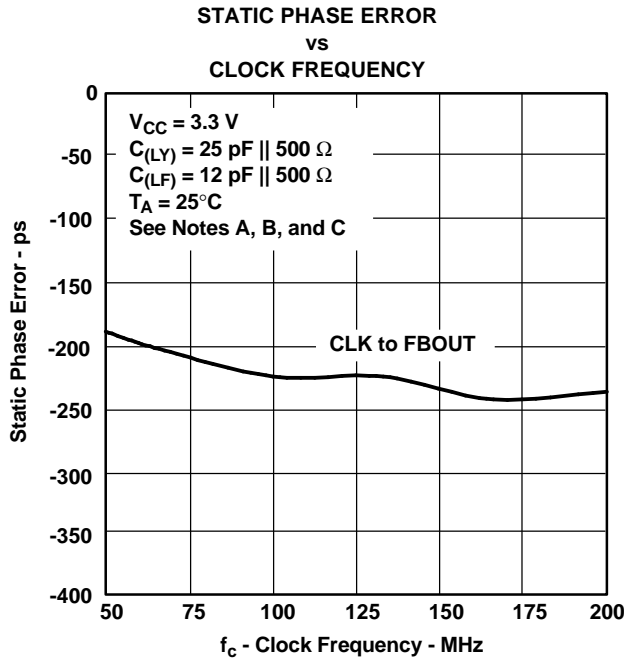


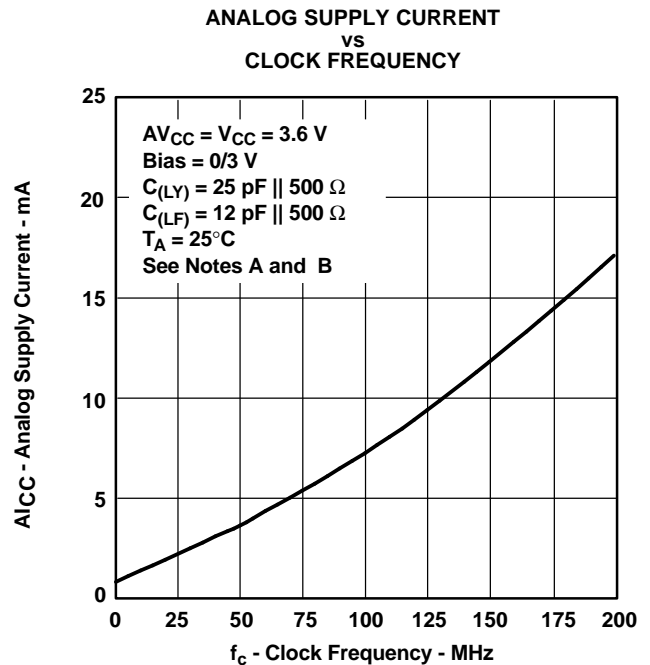
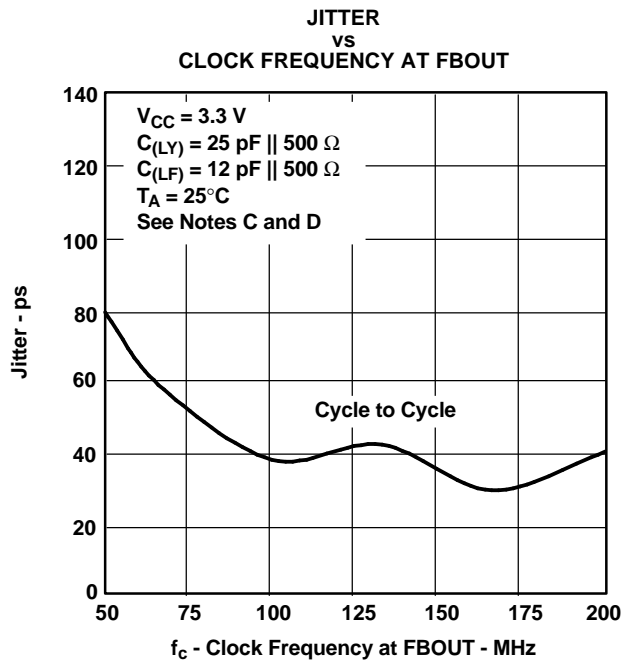
Figure 5.

TYPICAL CHARACTERISTICS (continued)

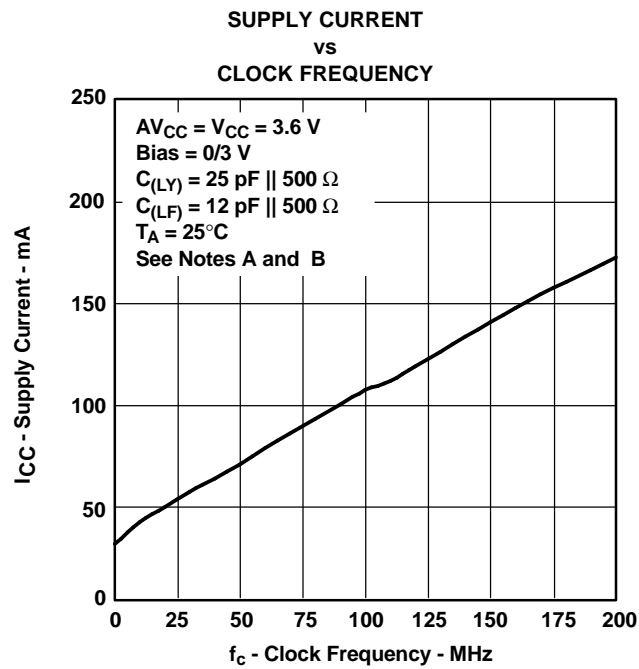


NOTE:

1. Trace length FBOUT to FBIN = 5 mm, $Z_O = 50 \Omega$
2. $C_{(LY)}$ = Lumped capacitive load Y_{1-n}
3. $C_{(LFX)}$ = Lumped feedback capacitance at FBOUT = FBIN



TYPICAL CHARACTERISTICS (continued)



NOTE:

1. Trace length FBOUT to FBIN = 5 mm, $Z_0 = 50 \Omega$
2. Total current = $I_{CC} + A I_{CC}$
3. $C_{(LY)}$ = Lumped capacitive load Y_{1-n}
4. $C_{(LFx)}$ = Lumped feedback capacitance at FBOUT = FBIN

PACKAGING INFORMATION

| Orderable Device | Status (1) | Package Type | Package Drawing | Pins | Package Qty | Eco Plan (2) | Lead finish/ Ball material (6) | MSL Peak Temp (3) | Op Temp (°C) | Device Marking (4/5) | Samples |
|------------------|---------------|--------------|-----------------|------|-------------|-----------------|--------------------------------------|----------------------|--------------|-------------------------|-------------------------|
| CDCVF2510PW | ACTIVE | TSSOP | PW | 24 | 60 | RoHS & Green | NIPDAU | Level-1-260C-UNLIM | 0 to 85 | CKV2510 | Samples |
| CDCVF2510PWR | ACTIVE | TSSOP | PW | 24 | 2000 | RoHS & Green | NIPDAU | Level-1-260C-UNLIM | 0 to 85 | CKV2510 | Samples |

(1) The marketing status values are defined as follows:

ACTIVE: Product device recommended for new designs.

LIFEBUY: TI has announced that the device will be discontinued, and a lifetime-buy period is in effect.

NRND: Not recommended for new designs. Device is in production to support existing customers, but TI does not recommend using this part in a new design.

PREVIEW: Device has been announced but is not in production. Samples may or may not be available.

OBSOLETE: TI has discontinued the production of the device.

(2) **RoHS:** TI defines "RoHS" to mean semiconductor products that are compliant with the current EU RoHS requirements for all 10 RoHS substances, including the requirement that RoHS substance do not exceed 0.1% by weight in homogeneous materials. Where designed to be soldered at high temperatures, "RoHS" products are suitable for use in specified lead-free processes. TI may reference these types of products as "Pb-Free".

RoHS Exempt: TI defines "RoHS Exempt" to mean products that contain lead but are compliant with EU RoHS pursuant to a specific EU RoHS exemption.

Green: TI defines "Green" to mean the content of Chlorine (Cl) and Bromine (Br) based flame retardants meet JS709B low halogen requirements of <=1000ppm threshold. Antimony trioxide based flame retardants must also meet the <=1000ppm threshold requirement.

(3) MSL, Peak Temp. - The Moisture Sensitivity Level rating according to the JEDEC industry standard classifications, and peak solder temperature.

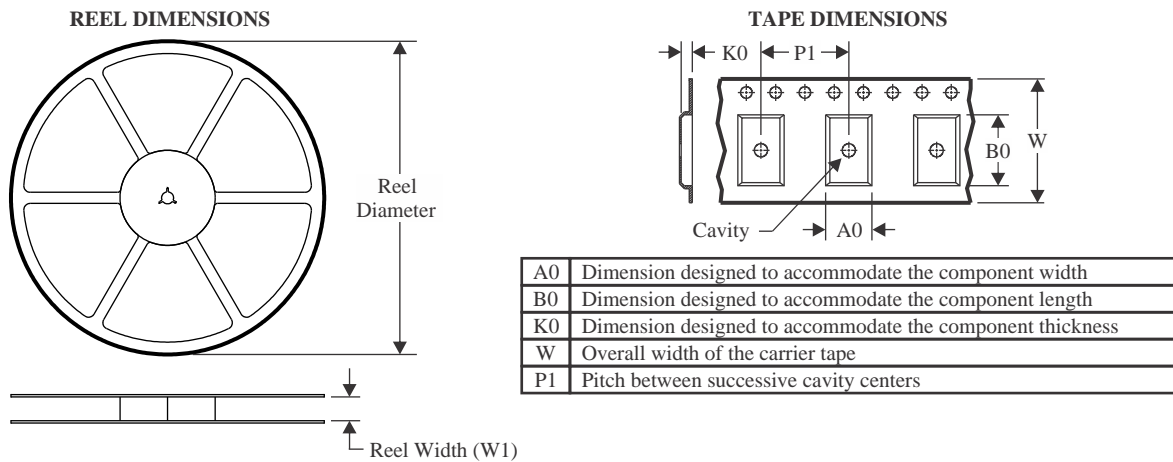
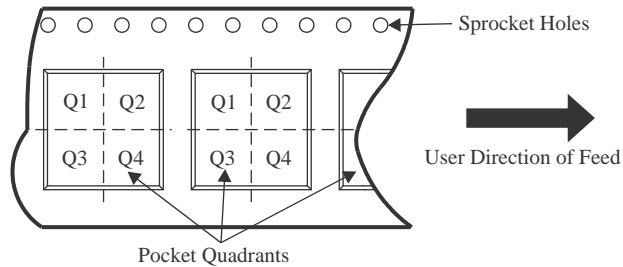
(4) There may be additional marking, which relates to the logo, the lot trace code information, or the environmental category on the device.

(5) Multiple Device Markings will be inside parentheses. Only one Device Marking contained in parentheses and separated by a "~" will appear on a device. If a line is indented then it is a continuation of the previous line and the two combined represent the entire Device Marking for that device.

(6) Lead finish/Ball material - Orderable Devices may have multiple material finish options. Finish options are separated by a vertical ruled line. Lead finish/Ball material values may wrap to two lines if the finish value exceeds the maximum column width.

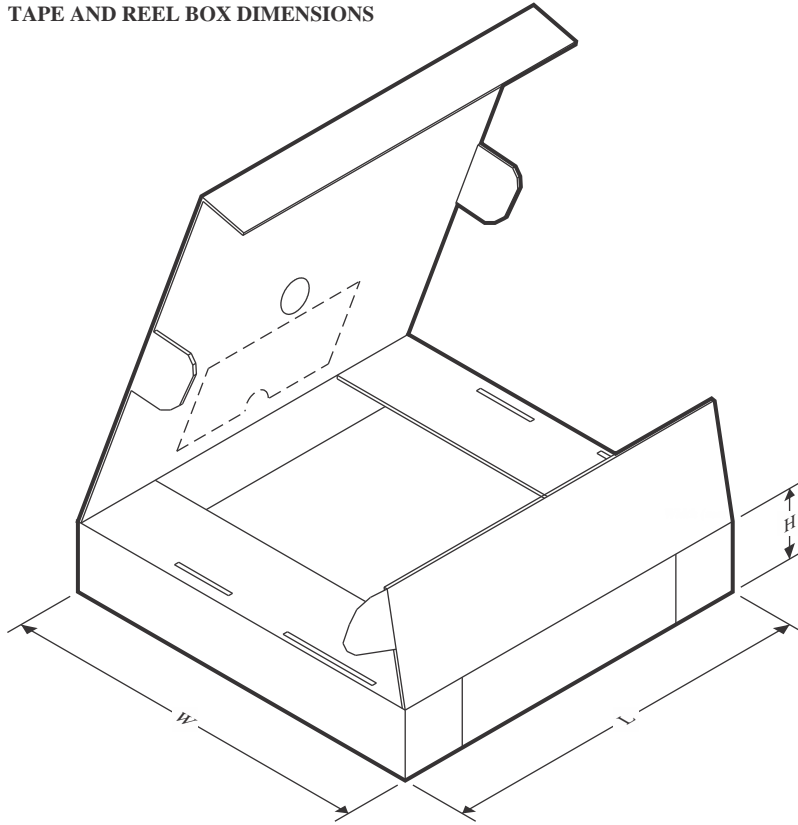
Important Information and Disclaimer:The information provided on this page represents TI's knowledge and belief as of the date that it is provided. TI bases its knowledge and belief on information provided by third parties, and makes no representation or warranty as to the accuracy of such information. Efforts are underway to better integrate information from third parties. TI has taken and continues to take reasonable steps to provide representative and accurate information but may not have conducted destructive testing or chemical analysis on incoming materials and chemicals. TI and TI suppliers consider certain information to be proprietary, and thus CAS numbers and other limited information may not be available for release.

In no event shall TI's liability arising out of such information exceed the total purchase price of the TI part(s) at issue in this document sold by TI to Customer on an annual basis.

TAPE AND REEL INFORMATION

QUADRANT ASSIGNMENTS FOR PIN 1 ORIENTATION IN TAPE


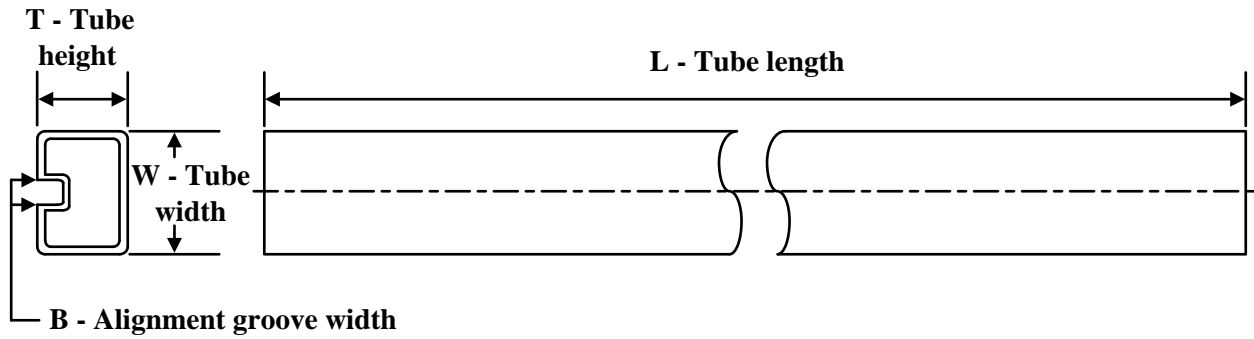
*All dimensions are nominal

| Device | Package Type | Package Drawing | Pins | SPQ | Reel Diameter (mm) | Reel Width W1 (mm) | A0 (mm) | B0 (mm) | K0 (mm) | P1 (mm) | W (mm) | Pin1 Quadrant |
|--------------|--------------|-----------------|------|------|--------------------|--------------------|---------|---------|---------|---------|--------|---------------|
| CDCVF2510PWR | TSSOP | PW | 24 | 2000 | 330.0 | 16.4 | 6.95 | 8.3 | 1.6 | 8.0 | 16.0 | Q1 |

TAPE AND REEL BOX DIMENSIONS


*All dimensions are nominal

| Device | Package Type | Package Drawing | Pins | SPQ | Length (mm) | Width (mm) | Height (mm) |
|--------------|--------------|-----------------|------|------|-------------|------------|-------------|
| CDCVF2510PWR | TSSOP | PW | 24 | 2000 | 356.0 | 356.0 | 35.0 |

TUBE


*All dimensions are nominal

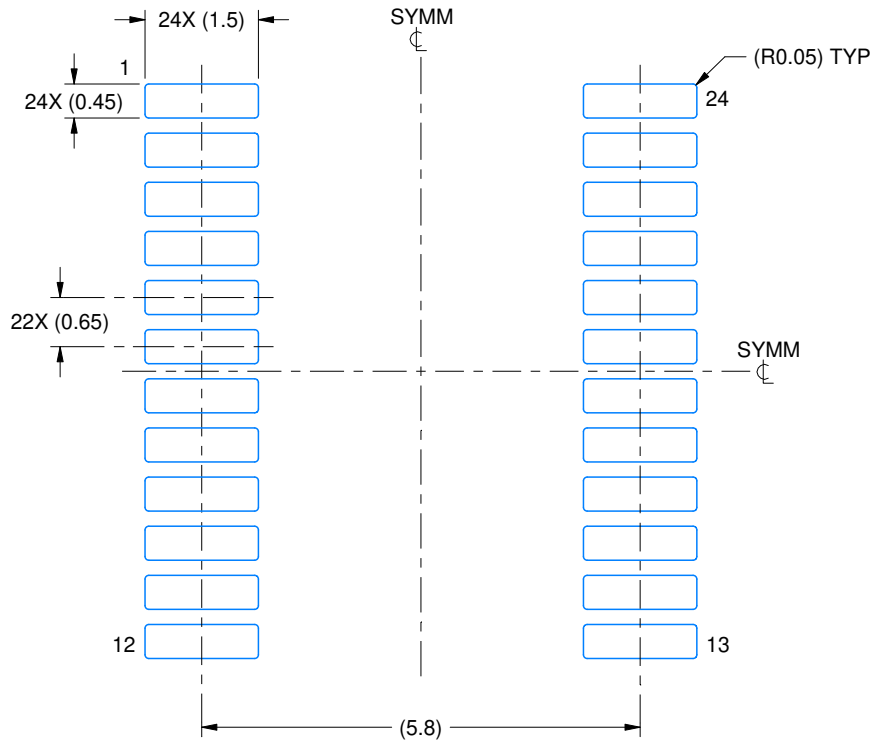
| Device | Package Name | Package Type | Pins | SPQ | L (mm) | W (mm) | T (μm) | B (mm) |
|-------------|--------------|--------------|------|-----|--------|--------|--------|--------|
| CDCVF2510PW | PW | TSSOP | 24 | 60 | 530 | 10.2 | 3600 | 3.5 |

EXAMPLE BOARD LAYOUT

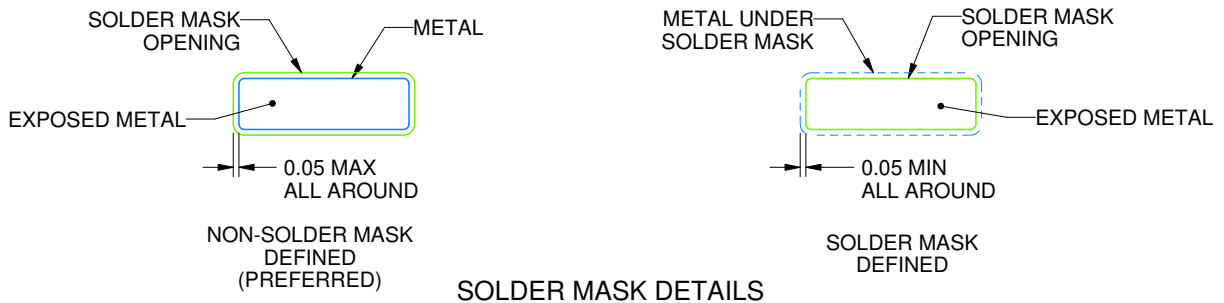
PW0024A

TSSOP - 1.2 mm max height

SMALL OUTLINE PACKAGE



LAND PATTERN EXAMPLE
EXPOSED METAL SHOWN
SCALE: 10X



SOLDER MASK DETAILS

4220208/A 02/2017

NOTES: (continued)

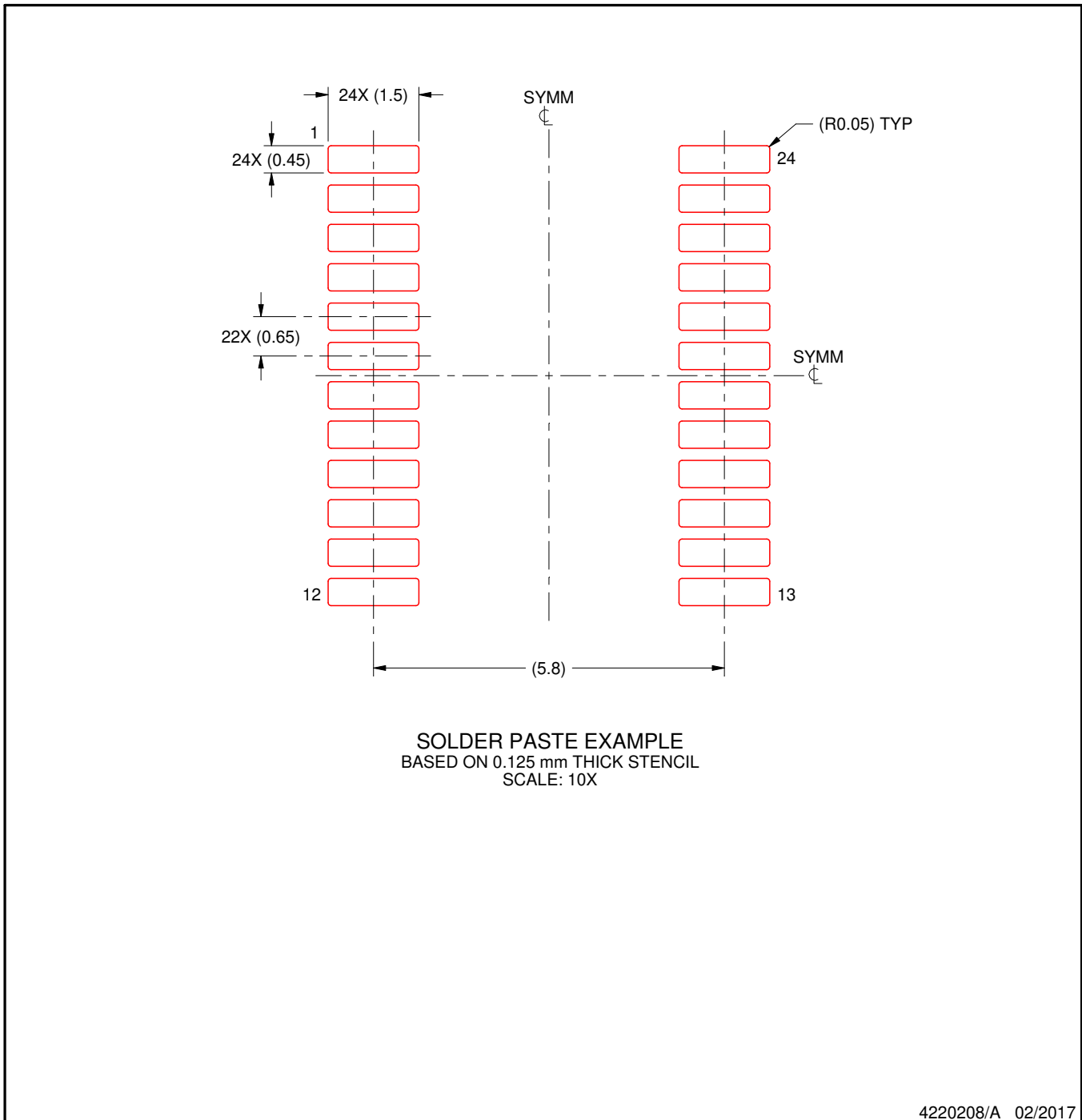
- 6. Publication IPC-7351 may have alternate designs.
- 7. Solder mask tolerances between and around signal pads can vary based on board fabrication site.

EXAMPLE STENCIL DESIGN

PW0024A

TSSOP - 1.2 mm max height

SMALL OUTLINE PACKAGE



NOTES: (continued)

8. Laser cutting apertures with trapezoidal walls and rounded corners may offer better paste release. IPC-7525 may have alternate design recommendations.
9. Board assembly site may have different recommendations for stencil design.

IMPORTANT NOTICE AND DISCLAIMER

TI PROVIDES TECHNICAL AND RELIABILITY DATA (INCLUDING DATA SHEETS), DESIGN RESOURCES (INCLUDING REFERENCE DESIGNS), APPLICATION OR OTHER DESIGN ADVICE, WEB TOOLS, SAFETY INFORMATION, AND OTHER RESOURCES "AS IS" AND WITH ALL FAULTS, AND DISCLAIMS ALL WARRANTIES, EXPRESS AND IMPLIED, INCLUDING WITHOUT LIMITATION ANY IMPLIED WARRANTIES OF MERCHANTABILITY, FITNESS FOR A PARTICULAR PURPOSE OR NON-INFRINGEMENT OF THIRD PARTY INTELLECTUAL PROPERTY RIGHTS.

These resources are intended for skilled developers designing with TI products. You are solely responsible for (1) selecting the appropriate TI products for your application, (2) designing, validating and testing your application, and (3) ensuring your application meets applicable standards, and any other safety, security, regulatory or other requirements.

These resources are subject to change without notice. TI grants you permission to use these resources only for development of an application that uses the TI products described in the resource. Other reproduction and display of these resources is prohibited. No license is granted to any other TI intellectual property right or to any third party intellectual property right. TI disclaims responsibility for, and you will fully indemnify TI and its representatives against, any claims, damages, costs, losses, and liabilities arising out of your use of these resources.

TI's products are provided subject to [TI's Terms of Sale](#) or other applicable terms available either on ti.com or provided in conjunction with such TI products. TI's provision of these resources does not expand or otherwise alter TI's applicable warranties or warranty disclaimers for TI products.

TI objects to and rejects any additional or different terms you may have proposed.

Mailing Address: Texas Instruments, Post Office Box 655303, Dallas, Texas 75265
Copyright © 2022, Texas Instruments Incorporated