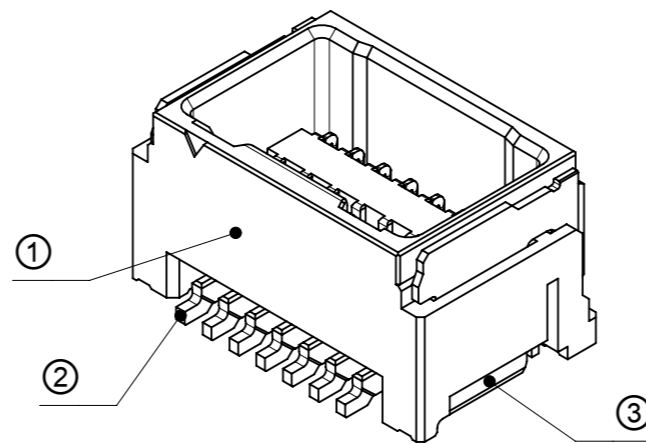
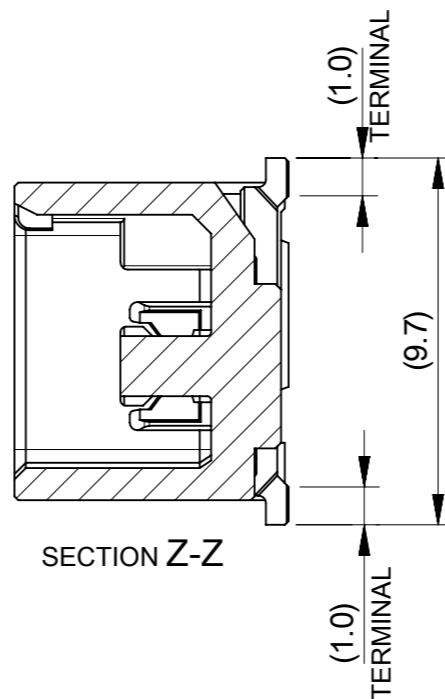
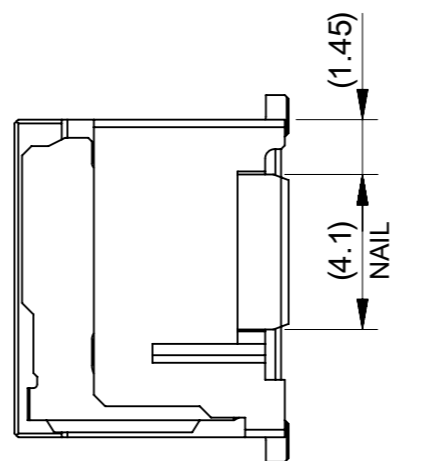
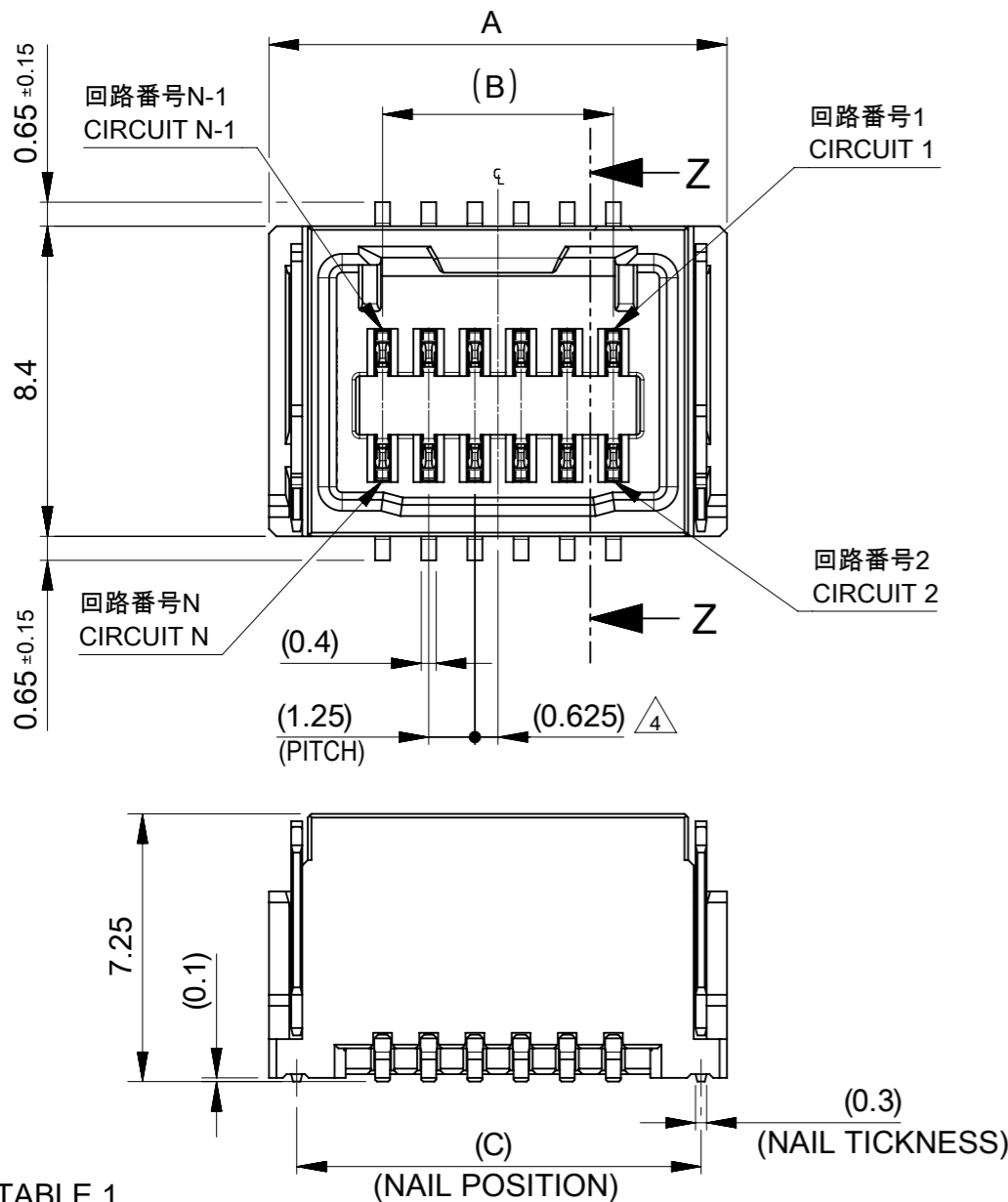


回路番号1マーク
CIRCUIT 1 MARK



注記:
NOTES:

- ① 材料及び仕上げ(めっき仕様): TABLE 1, TABLE2 参照
MATERIAL AND FINISHES (PLATING SPECIFICATION): SEE TABLE 1, TABLE2.
- ② 製品仕様書、コネクタ取扱説明書、適合嵌合相手、適合リテーナーはSHEET 5をご参照下さい。
PLEASE REFER TO SHEET 5 FOR PRODUCT SPECIFICATION, APPLICATION SPECIFICATION, MATE WITH AND APPLICABLE RETAINER.
- ③ 端子テール部 及び ネイルの平坦度: 0.12 MAXIMUM
TAIL AND NAIL COPLANARITY TO BE 0.12 MAXIMUM
- ④ 極数 / 2 = 偶数に適合
APPLY TO CIRCUIT SIZE / 2 = EVEN.
- ⑤ 発注番号: SHEET 5 参照
ORDER NUMBER: PLEASE REFER TO SHEET 5



207760****

番号 NO.	カバーテープ COVER TAPE	番号 NO.	ハウジングカラー HOUSING COLOR
7	無 WITHOUT	0	ナチュラル(白) NATURAL(WHITE)
8	有 WITH	1	黒 BLACK
		2	赤 RED
		3	黄 YELLOW
		4	青 BLUE

④ TABLE 1

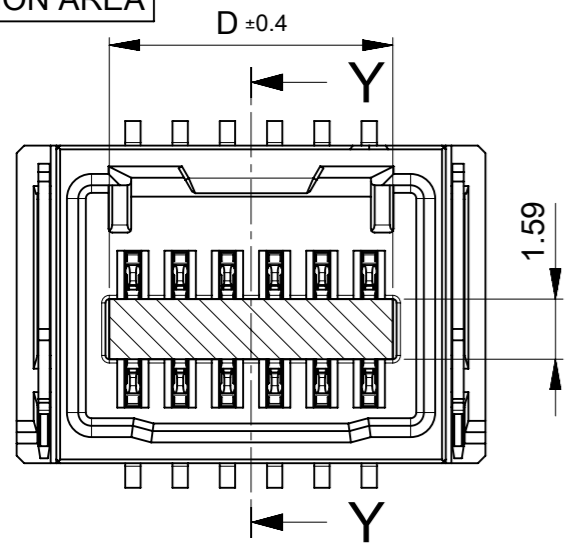
番号 NO.	部品 PART	材質 MATERIAL	
①	ハウジング HOUSING	ポリアミド(PA) UL94V-0 色: SHEET 5参照 POLYAMIDE(PA) UL94V-0 COLOR: SEE SHEET 5	
②	ターミナル TERMINAL	黄銅 BRASS	
		接点部、テール部めっき CONTACT, TAIL PLATING	錫ビスマスめっき: 1.0 MICROMETER MINIMUM TIN-BISMUTH PLATING
③	ネイル NAIL	黄銅 BRASS	
		テール部めっき TAIL PLATING	錫ビスマスめっき: 1.0 MICROMETER MINIMUM TIN-BISMUTH PLATING
		下地めっき UNDER PLATING	ニッケルめっき: 1.0 MICROMETER MINIMUM NICKEL PLATING (UNDER PLATING)

12.2	7.5	13.65	14
10.95	6.25	12.4	12
9.7	5	11.15	10
8.45	3.75	9.9	8
8.1	2.5	9.55	6
6.85	1.25	8.3	4
C	B	A	極数 CIRCUIT SIZE

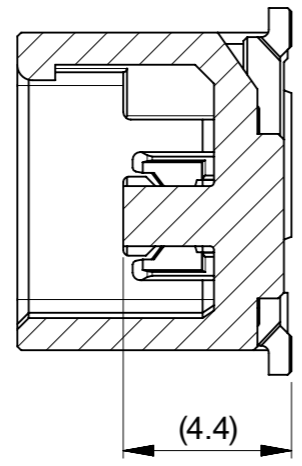
THIS DRAWING CONTAINS INFORMATION THAT IS PROPRIETARY TO MOLEX ELECTRONIC TECHNOLOGIES, LLC AND SHOULD NOT BE USED WITHOUT WRITTEN PERMISSION

DIMENSION UNITS	SCALE	CURRENT REV DESC:	molex		
mm	NTS				
GENERAL TOLERANCES (UNLESS SPECIFIED)			MICRO-LOCK PLUS 1.25 W/B DUAL ROW VERTICAL SMT PLUG ASSEMBLY FOR POTTING		
ANGULAR TOL	± 3.0 °	EC NO: 736271	PRODUCT CUSTOMER DRAWING		
4 PLACES	± 0.2	DRWN: SOKUMURA01	2022/12/27	DOCUMENT NUMBER	
3 PLACES	± 0.2	CHK'D: SAKIYAMA	2023/02/16	DOC TYPE DOC PART REVISION	
2 PLACES	± 0.2	APPR: AIDA	2023/02/16	2077600000-SD	
1 PLACE	± 0.2	INITIAL REVISION:	2019/05/31		PSD 000 C
0 PLACES	± 0.2	DRWN: TENAGASE	2020/01/16		
DRAFT WHERE APPLICABLE MUST REMAIN WITHIN DIMENSIONS		THIRD ANGLE PROJECTION	DRAWING	SERIES	MATERIAL NUMBER
			A3-SIZE	207760	SEE SHEET 5
					CUSTOMER
					GENERAL
					SHEET NUMBER
					1 OF 5

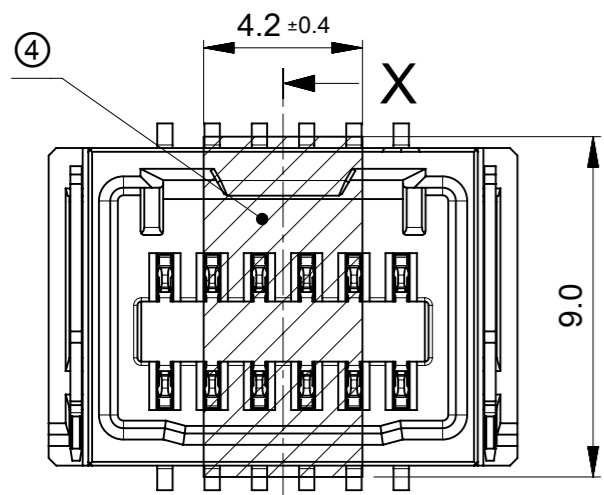
吸着エリア
SUCTION AREA



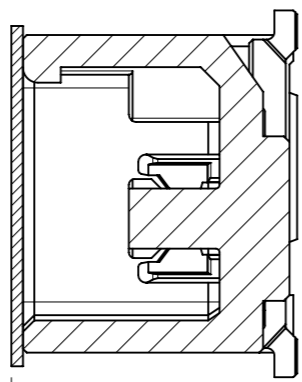
カバーテープ無
WITHOUT COVER TAPE
207760 **7*



SECTION Y-Y
吸着高さ
SUCTION HEIGHT

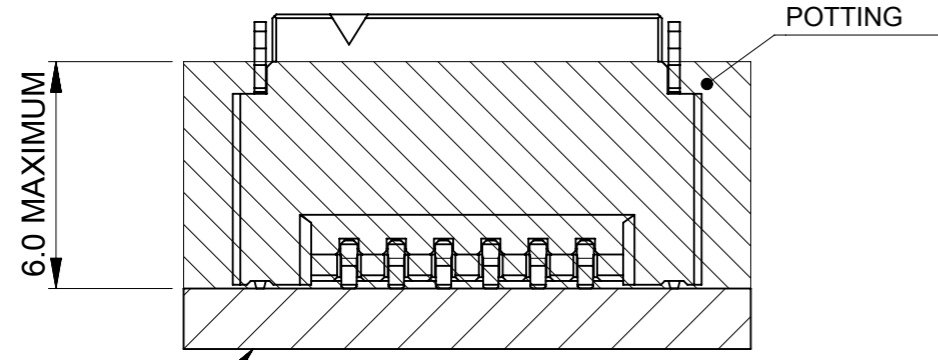


カバーテープ有
WITH COVER TAPE
207760 **8*

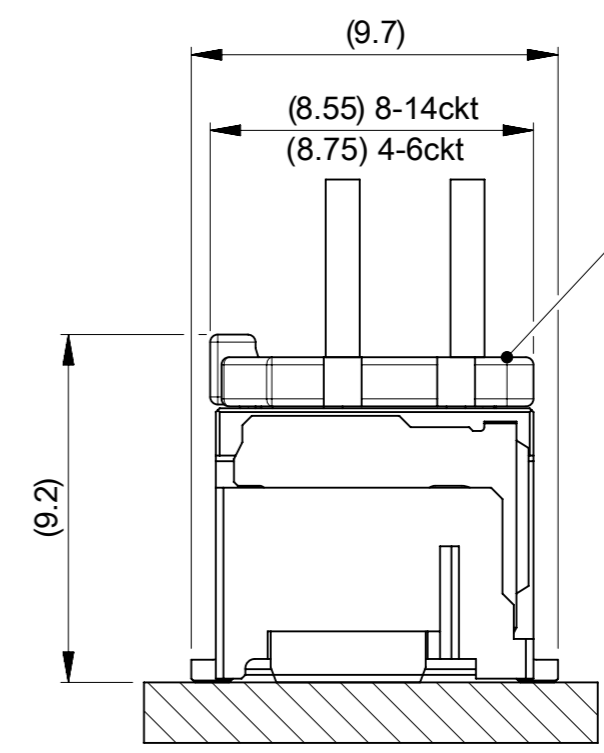
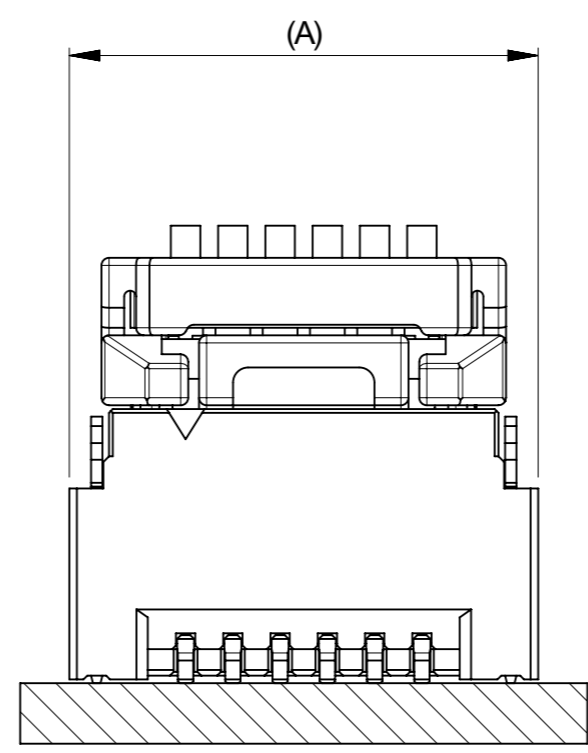
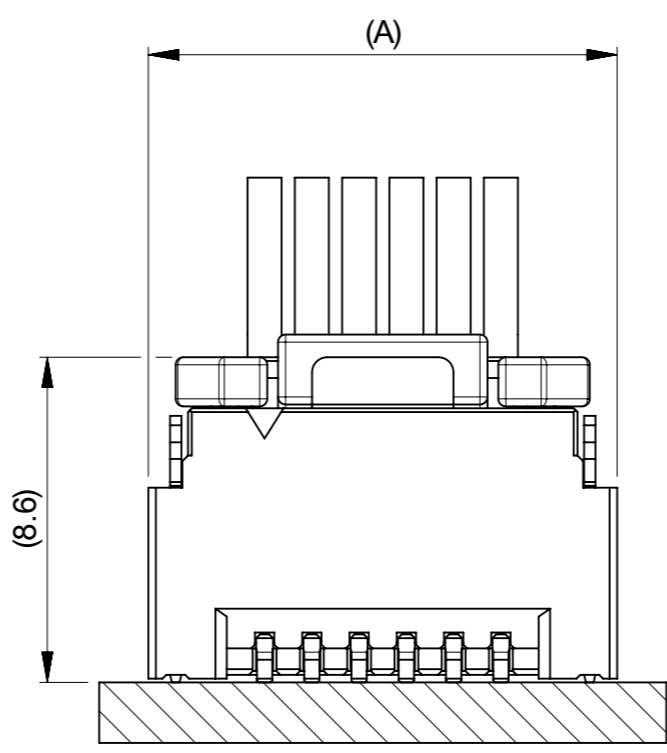


SECTION X-X
カバーテープ高さ
COVER TAPE HEIGHT

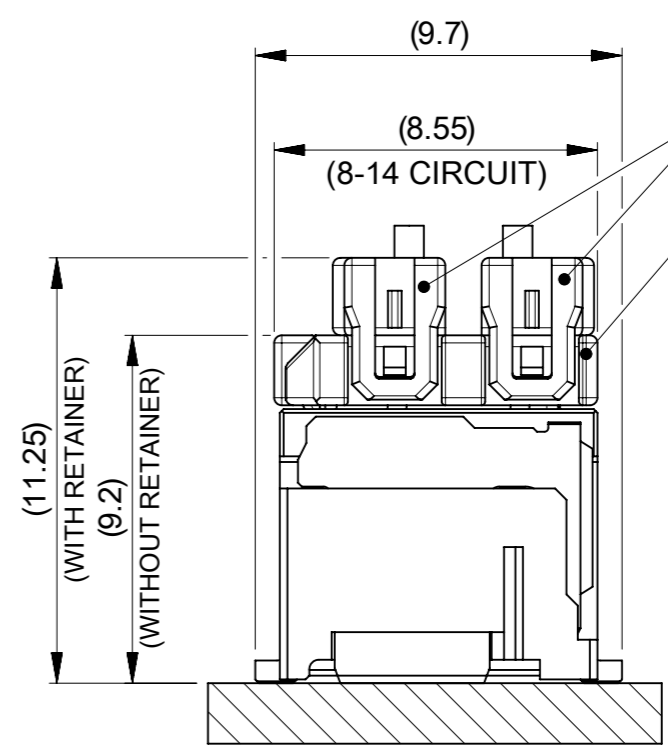
ポッティング高さ
POTTING HEIGHT



嵌合状態図
MATED CONNECTORS



嵌合相手 : 204523シリーズ
MATE WITH : 204523 SERIES



リテーナー : 214528シリーズ
RETAINER : 214528 SERIES
嵌合相手 : 214527シリーズ
MATE WITH : 214527 SERIES

8.75	14	無 WITHOUT
7.5	12	
6.25	10	
5	8	
3.75	6	
2.5	4	
D	極数 CIRCUIT SIZE	カバーテープ COVER TAPE

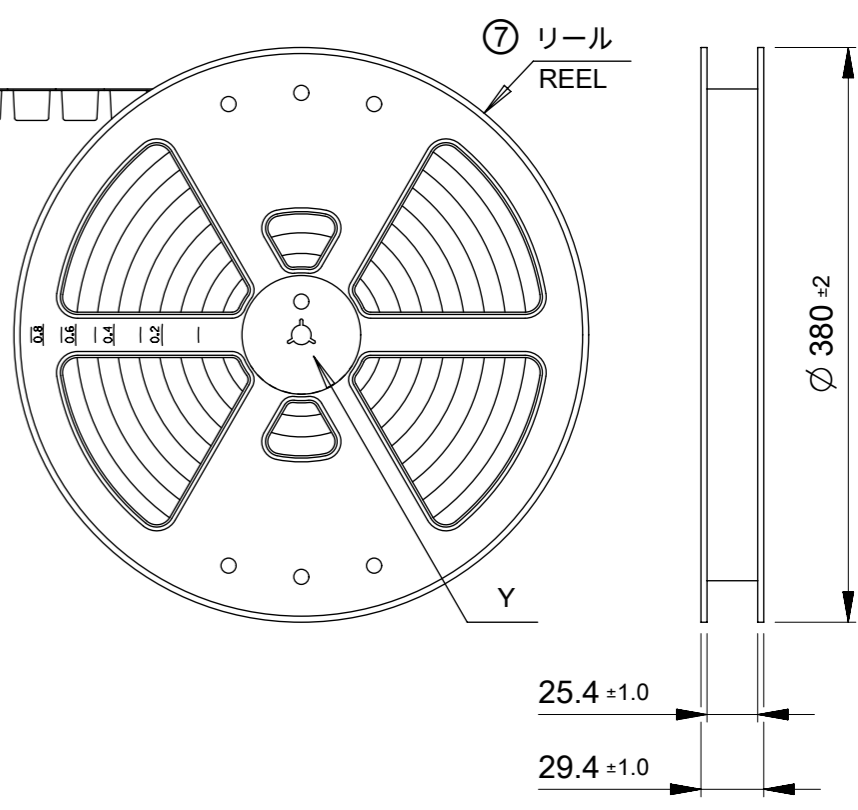
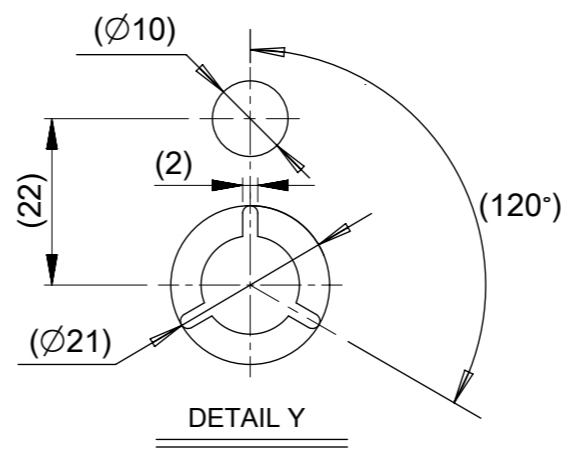
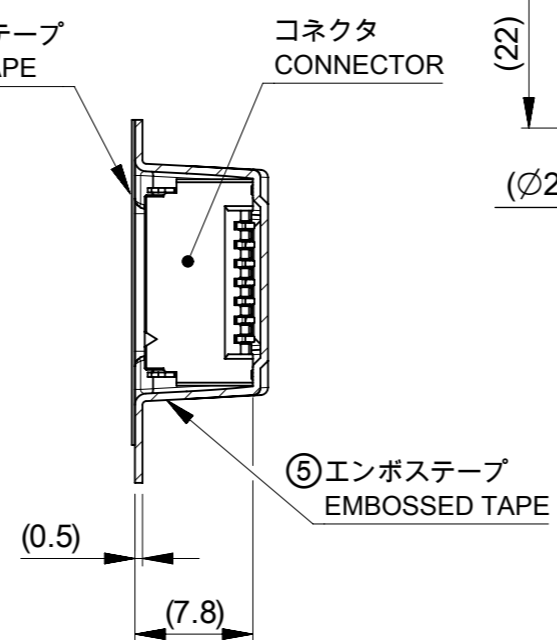
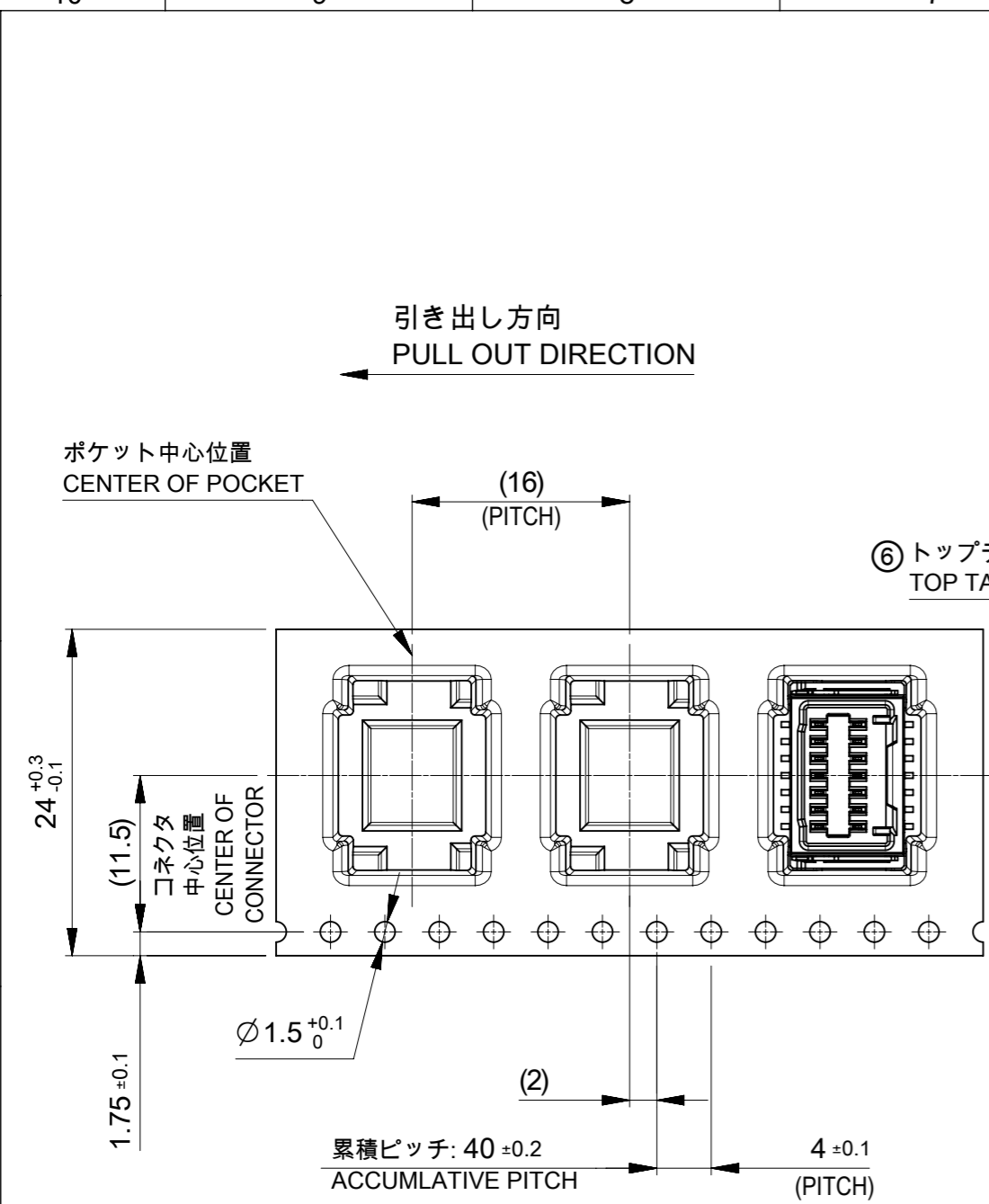
TABLE2

番号 NO.	部品 PART	材質 MATERIAL
④	カバーテープ COVER TAPE	ポリイミド POLYIMIDE

DOCUMENT STATUS P1 RELEASE DATE 2023/02/16 15:22:35

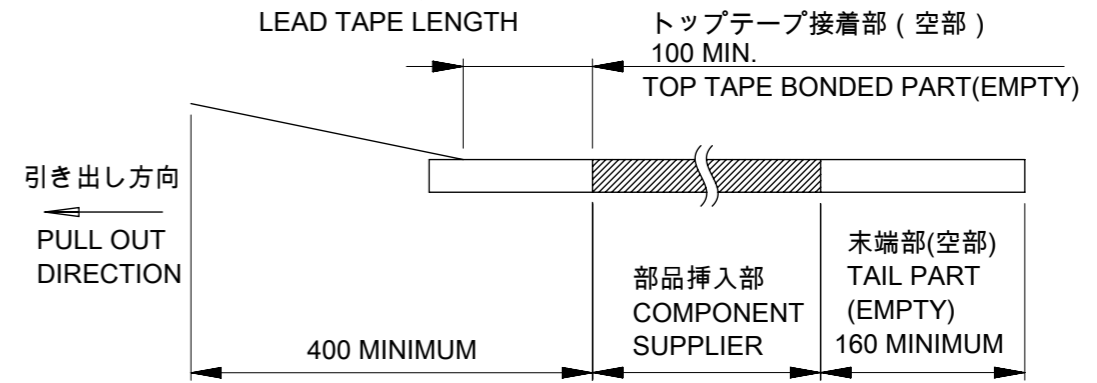
THIS DRAWING CONTAINS INFORMATION THAT IS PROPRIETARY TO MOLEX ELECTRONIC TECHNOLOGIES, LLC AND SHOULD NOT BE USED WITHOUT WRITTEN PERMISSION

DIMENSION UNITS mm	SCALE NTS	CURRENT REV DESC:	
GENERAL TOLERANCES (UNLESS SPECIFIED)		EC NO: 736271	
ANGULAR TOL ± 3.0 °	4 PLACES ± 0.2	DRWN: SOKUMURA01	2022/12/27
3 PLACES ± 0.2	2 PLACES ± 0.2	CHK'D: SAKIYAMA	2023/02/16
1 PLACE ± 0.2	0 PLACES ± 0.2	APPR: AIDA	2023/02/16
DRAFT WHERE APPLICABLE MUST REMAIN WITHIN DIMENSIONS		INITIAL REVISION:	
THIRD ANGLE PROJECTION		DRWN: TENAGASE	2019/05/31
DRAWING A3-SIZE		APPR: KOMURAKAMI	2020/01/16
SERIES 207760		DOCUMENT NUMBER 2077600000-SD	
MATERIAL NUMBER SEE SHEET 5		CUSTOMER GENERAL	DOC TYPE PSD
SHEET NUMBER 3 OF 5		DOC PART 000	
REVISION C		REVISION	



注記 NOTES

- 6. 梱包数量 : 500個/リール
NUMBER OF CONNECTORS : 500 PIECES/REEL.
- 7. リードテープ長さ
LEAD TAPE LENGTH



8. トップテープの剥離強度については、IEC60286-3に準拠
TOP TAPE PEELING FORCE IS DEFINED BY IEC60286-3.

TABLE3

番号 NO.	部品 PART	材質 MATERIAL
⑤	エンボステープ EMBOSSSED TAPE	ポリスチレン(PS) POLYSTYRENE(PS)
⑥	トップテープ TOP TAPE	ポリエチレン(PE)、その他 POLYETHYLENE(PE), etc
⑦	リール REEL	ポリスチレン(PS) <リサイクル材を含む> POLYSTYRENE(PS) < RECYCLE MATERIAL CONTAINED >

THIS DRAWING CONTAINS INFORMATION THAT IS PROPRIETARY TO MOLEX ELECTRONIC TECHNOLOGIES, LLC AND SHOULD NOT BE USED WITHOUT WRITTEN PERMISSION		CURRENT REV DESC:			
DIMENSION UNITS	SCALE				
mm	NTS			MICRO-LOCK PLUS 1.25 W/B DUAL ROW VERTICAL SMT PLUG ASSEMBLY FOR POTTING	
GENERAL TOLERANCES (UNLESS SPECIFIED)				PRODUCT CUSTOMER DRAWING	
ANGULAR TOL ± 3.0 °				DOCUMENT NUMBER	
4 PLACES ± 0.2		EC NO: 736271		2077600000-SD	
3 PLACES ± 0.2		DRWN: SOKUMURA01		PSD	
2 PLACES ± 0.2		2022/12/27		000	
1 PLACE ± 0.2		CHK'D: SAKIYAMA		C	
0 PLACES ± 0.2		APPR: AIDA		REVISION	
DRAFT WHERE APPLICABLE MUST REMAIN WITHIN DIMENSIONS		INITIAL REVISION:			
THIRD ANGLE PROJECTION		DRWN: TENAGASE		2019/05/31	
DRAWING		APPR: KOMURAKAMI		2020/01/16	
SERIES		MATERIAL NUMBER		CUSTOMER	
A3-SIZE		207760		GENERAL	
SHEET NUMBER		4 OF 5			

△ 2 適合製品及び各種仕様書 APPLICABLE PRODUCTS AND VARIOUS SPECIFICATIONS

梱包仕様書 PACKAGING SPECIFICATION		2077609200-SPK PS 200	
適合嵌合相手 MATE WITH	シリーズ番号 SERIES NUMBER	204523	214527
	リテーナー対応 RETAINER APPLICABLE	NOT COMPLIANT	COMPLIANT (NATURAL, BLACK)
適合リテーナーシリーズ番号 APPLICABLE RETAINER SERIES NUMBER		-	214528
製品仕様書 PRODUCT SPECIFICATION		2045230001-PS PS 000	2145270001-PS PS 000
コネクタ取扱説明書 APPLICATION SPECIFICATION		5054320000-AS PS 000	

△ 5 207760**** 発注番号一覧 ORDER NUMBER LIST

NOT COMPLIANT			COMPLIANT		LOW HALOGEN	
BLUE	YELLOW	RED	BLACK	NATURAL (WHITE)	HOUSING COLOR	
---	---	---	2077601481	2077601480	14	
---	---	---	2077601281	2077601280	12	
---	---	---	2077601081	2077601080	10	
---	---	---	2077600881	2077600880	8	
2077600684	2077600683	2077600682	2077600681	2077600680	6	
2077600484	2077600483	2077600482	2077600481	2077600480	4	
---	---	---	2077601471	2077601470	14	
---	---	---	2077601271	2077601270	12	
---	---	---	2077601071	2077601070	10	
---	---	---	2077600871	2077600870	8	
2077600674	2077600673	2077600672	2077600671	2077600670	6	
2077600474	2077600473	2077600472	2077600471	2077600470	4	
発注番号 ORDER NUMBER					極数 CIRCUIT SIZE	カバーテープ COVER TAPE
梱包形態 PACKAGING STYLE エンボステープ、リール EMBOSSED TAPE AND REEL						

THIS DRAWING CONTAINS INFORMATION THAT IS PROPRIETARY TO MOLEX ELECTRONIC TECHNOLOGIES, LLC AND SHOULD NOT BE USED WITHOUT WRITTEN PERMISSION

DIMENSION UNITS mm	SCALE NTS	CURRENT REV DESC:		molex		
GENERAL TOLERANCES (UNLESS SPECIFIED)		EC NO: 736271				
ANGULAR TOL ± 3.0 °	4 PLACES ± 0.2	DRWN: SOKUMURA01 2022/12/27		PRODUCT CUSTOMER DRAWING		
3 PLACES ± 0.2	3 PLACES ± 0.2	CHK'D: SAKIYAMA 2023/02/16		DOCUMENT NUMBER		
2 PLACES ± 0.2	2 PLACES ± 0.2	APPR: AIDA 2023/02/16		2077600000-SD		
1 PLACE ± 0.2	1 PLACE ± 0.2	INITIAL REVISION:		DOC TYPE	DOC PART	REVISION
0 PLACES ± 0.2	0 PLACES ± 0.2	DRWN: TENAGASE 2019/05/31		PSD	000	C
DRAFT WHERE APPLICABLE MUST REMAIN WITHIN DIMENSIONS		THIRD ANGLE PROJECTION	DRAWING	SERIES	MATERIAL NUMBER	CUSTOMER
			A3-SIZE	207760	SEE CHART	GENERAL
						SHEET NUMBER 5 OF 5