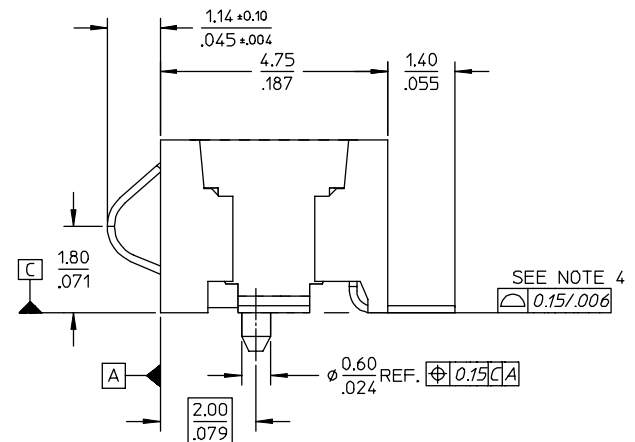
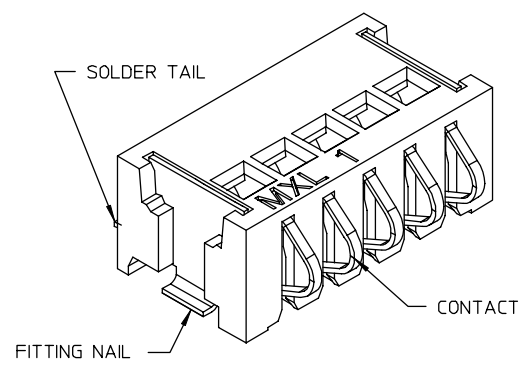
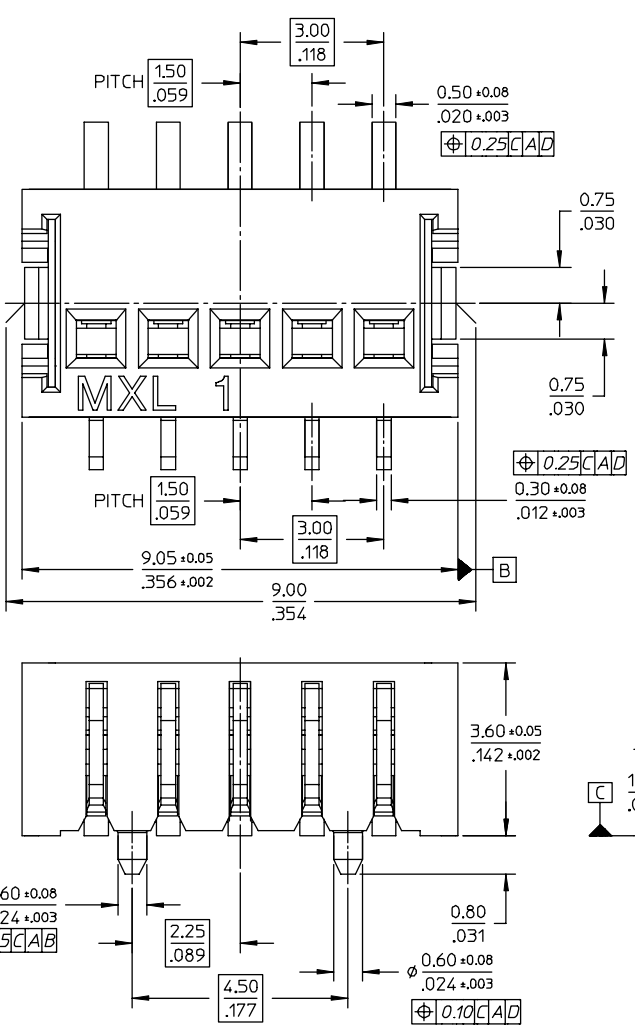
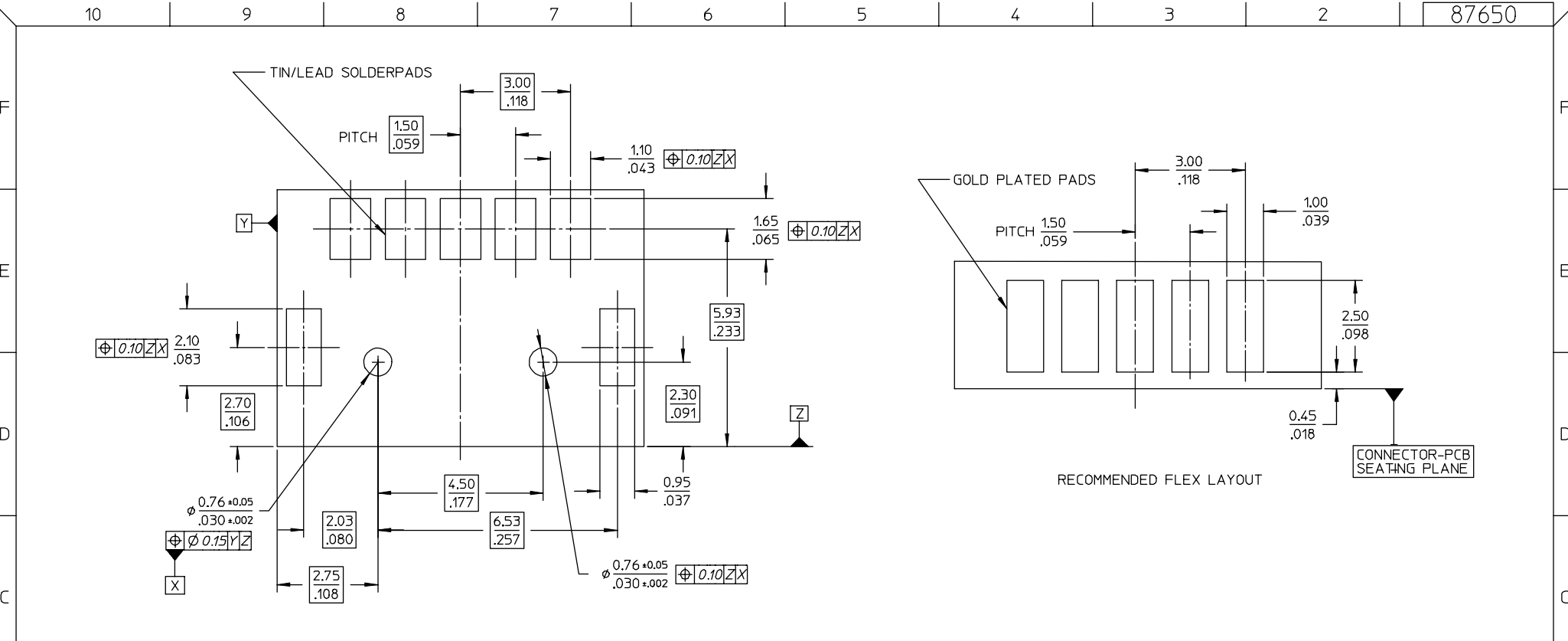


87650	
CKT SIZE	PART NUMBER
5	87650-0002



- NOTES :
- MATERIAL : HOUSING - HIGH TEMP THERMOPLASTIC, GLASS FILLED, UL94 V-0, COLOR : BLACK
FITTING NAIL - BRASS
TERMINAL - PHOSPHOR BRONZE
 - FINISH : FITTING NAIL - TIN/LEAD ALLOY OVERALL :
THICKNESS = 1.90um / 75uin MINIMUM ;
NICKEL OVERALL.
TERMINAL - SELECTIVE GOLD IN CONTACT AREA :
THICKNESS = 0.38um / 15uin MINIMUM ;
SELECTIVE TIN-LEAD ALLOY IN PC TAIL AREA :
THICKNESS = 1.90um / 75uin MINIMUM ;
NICKEL OVERALL.
 - PRODUCT SPECIFICATION : PS-87650-002
 - CO-PLANARITY OF SOLDER TAIL AND FITTING NAIL IS TO BE MEASURED BY RESTING THE PART ON A FLAT GAGED SURFACE.
 - PARTS ARE PACKED IN TAPE & REEL OF WIDTH 16mm AND PITCH 12mm.

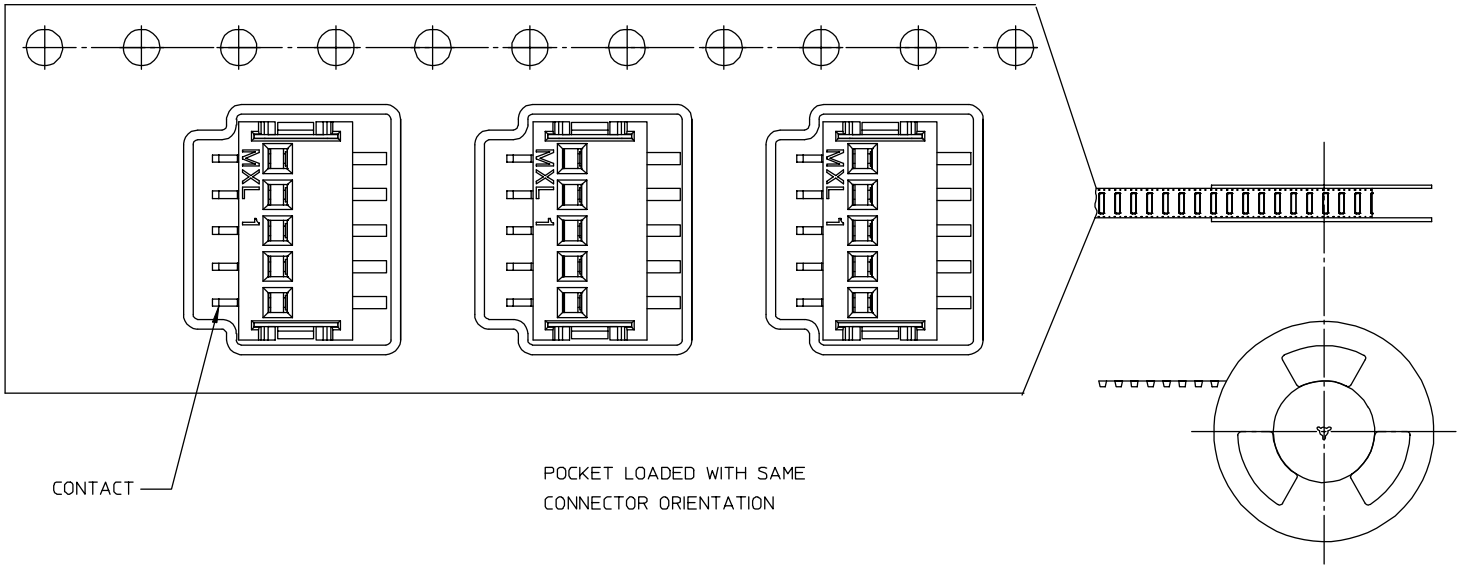
EC NO: S2002-0002 DRWN: PSHAN 2001/09/11 CHKD: 2001/09/11 APPR: KCLING 2001/09/12	QUALITY SYMBOLS ▽ = 0 ▽ = 0	GENERAL TOLERANCES (UNLESS SPECIFIED)		SCALE 10:1	DESIGN UNITS METRIC	THIRD ANGLE PROJECTION	REVISE ON CAD ONLY	
		mm	INCH	DIMENSION STYLE MM/IN		TITLE		
		4 PLACES ± --- ± ---	3 PLACES ± --- ± .005	DRAWN BY JS GOH	DATE 010102	1.5MM PITCH COMPRESSION CONNECTOR		
		2 PLACES ± 0.13 ± ---	1 PLACE ± --- ± ---	CHECKED BY K.C. LING	DATE 010305	Molex MOLEX INCORPORATED		
REV A4	DESCRIPTION	ANGULAR ± 1 °		APPROVED BY S. K. TOH		DATE 010305	MATERIAL NO. SEE TABLE	
DRAFT WHERE APPLICABLE MUST REMAIN WITHIN DIMENSIONS				DOCUMENT NO. SD-87650-001	SHEET NO. 1 OF 3			



RECOMMENDED PCB LAYOUT
THICKNESS = 1.00mm MINIMUM

EC NO: S2002-0002 DRWN:RSHAN 2001/09/11 CHKD: 2001/09/11 APPR:KCLING 2001/09/12	QUALITY SYMBOLS ▼ = 0 ▽ = 0	GENERAL TOLERANCES (UNLESS SPECIFIED)		SCALE NTS	DESIGN UNITS METRIC	THIRD ANGLE PROJECTION	REVISE ON CAD ONLY	
			mm	INCH	DIMENSION STYLE MM/IN		TITLE	
		4 PLACES	± ---	± ---	DRAWN BY	DATE	1.5MM PITCH COMPRESSION CONNECTOR	
		3 PLACES	± ---	± .005	JS GOH	010102		
2 PLACES	± 0.13	± ---	CHECKED BY K. C. LING		DATE	MOLEX INCORPORATED		
1 PLACE	± ---	± ---	APPROVED BY S. K. TOH		DATE	MATERIAL NO.	DOCUMENT NO.	
ANGULAR ± 1 °		DRAFT WHERE APPLICABLE		S. K. TOH	010305	SEE TABLE	SD-87650-001	
MUST REMAIN WITHIN DIMENSIONS		THIS DRAWING CONTAINS INFORMATION THAT IS PROPRIETARY TO MOLEX INCORPORATED AND SHOULD NOT BE USED WITHOUT WRITTEN PERMISSION				SHEET NO. 2 OF 3		

CUSTOMER PULL OUT DIRECTION
←



CONTACT

POCKET LOADED WITH SAME
CONNECTOR ORIENTATION

EC NO: S2002-0002 DRWN: RSHAN 2001/09/11 CHKD: 2001/09/11 APPR: KCLING 2001/09/12	QUALITY SYMBOLS ▽ = 0 ◁ = 0	GENERAL TOLERANCES (UNLESS SPECIFIED)		SCALE NTS	DESIGN UNITS METRIC	THIRD ANGLE PROJECTION	REVISE ON CAD ONLY			
		4 PLACES ± --- ± --- 3 PLACES ± --- ± .005 2 PLACES ± 0.13 ± --- 1 PLACE ± --- ± ---	DIMENSION STYLE MM/IN	TITLE 1.5MM PITCH COMPRESSION CONNECTOR						
		ANGULAR ± 1 °	DRAFT WHERE APPLICABLE MUST REMAIN WITHIN DIMENSIONS	DRAWN BY REGINA SHAN	DATE 010418	CHECKED BY K C LING	DATE 010424	MATERIAL NO. SEE TABLE	DOCUMENT NO. SD-87650-001	SHEET NO. 3 OF 3
		THIS DRAWING CONTAINS INFORMATION THAT IS PROPRIETARY TO MOLEX INCORPORATED AND SHOULD NOT BE USED WITHOUT WRITTEN PERMISSION		MOLEX INCORPORATED		APPROVED BY S K TOH		DATE 010426		