

PART NO.	A98246-001	REV	ECO	DATE	APP
		A	104984	11-01-18	HV

**MATERIALS**

**HOUSING:**

ALUMINUM 6061, NICKEL PLATED  
(500 MICRONS MINIMUM) PER  
SAE-AMS-2404

**INSULATOR & CAP:**

PPS PER MIL-M-24519, TYPE  
GST 40F

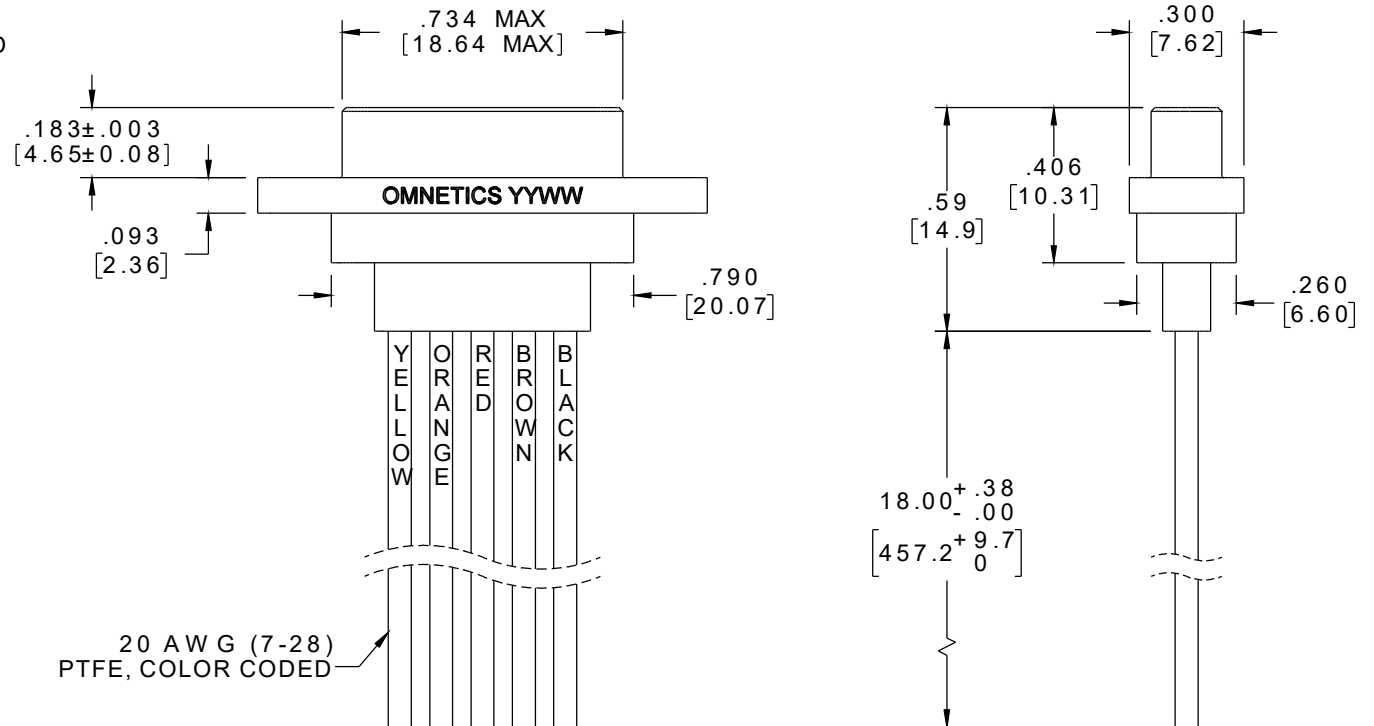
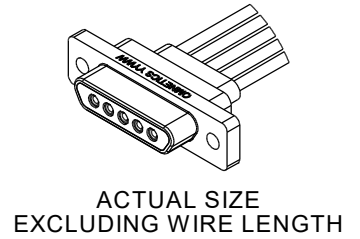
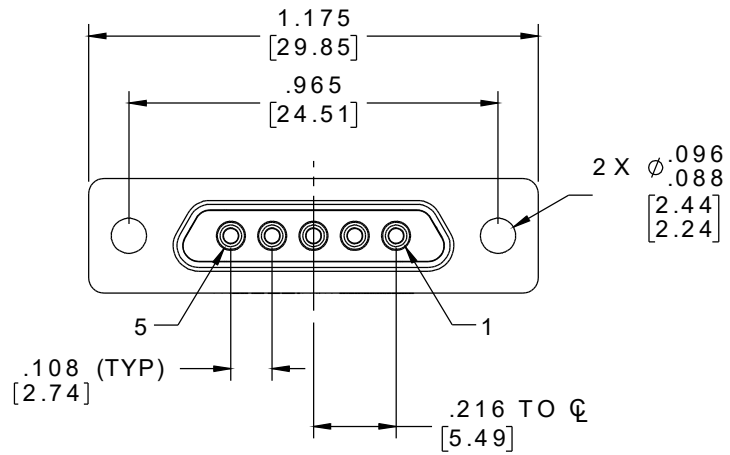
**CONTACT:**

COPPER ALLOY PER SAE-AS39029  
GOLD PLATED PER ASTM B488  
(HARD GOLD), TYPE II, CODE C  
CLASS 1.27

**WIRE:**

NEMA HP3 TYPE E, COLOR CODED  
IAW MIL-STD-681, SYSTEM 1,  
USING TEN SOLID REPEATING  
COLORS

CONTACT #	COLOR
1	BLACK
2	BROWN
3	RED
4	ORANGE
5	YELLOW



**NOTE:**

DIMENSIONS IN [ ] ARE IN  
MILLIMETERS UNLESS  
OTHERWISE NOTED AND ARE  
FOR REFERENCE ONLY

MMDP SLDW	THIRD ANGLE	THIS DRAWING CONTAINS CONFIDENTIAL AND PROPRIETARY INFORMATION WHICH IS THE PROPERTY OF OMNETICS CONNECTOR CORP. THIS DOCUMENT MAY NOT, IN WHOLE OR IN PART, BE DUPLICATED, OR DISCLOSED FOR ANY PURPOSE, WITHOUT WRITTEN PERMISSION FROM OMNETICS CONNECTOR CORP.		<b>OMNETICS</b> CONNECTOR CORPORATION 7260 COMMERCE CIRCLE EAST MINNEAPOLIS, MN 55432 WWW.OMNETICS.COM	CAGE CODE 61873	
	-TOLERANCES- UNLESS OTHERWISE NOTED DIMENSIONS IN INCHES	DFTM. STN	DATE		TITLE:	DWG NO.
	2 PL DEC ± .01	CHK'D.	DATE	(5-0) CONTACT PLUG	A98246-001	
	3 PL DEC ± .005	APP'D.	DATE	HYBRID POWER MICRO-D CONNECTOR	SHEET 1 OF 1	
4 PL DEC ± .0005				SCALE: 2:1	REV A	
ANGLES ± 1°						