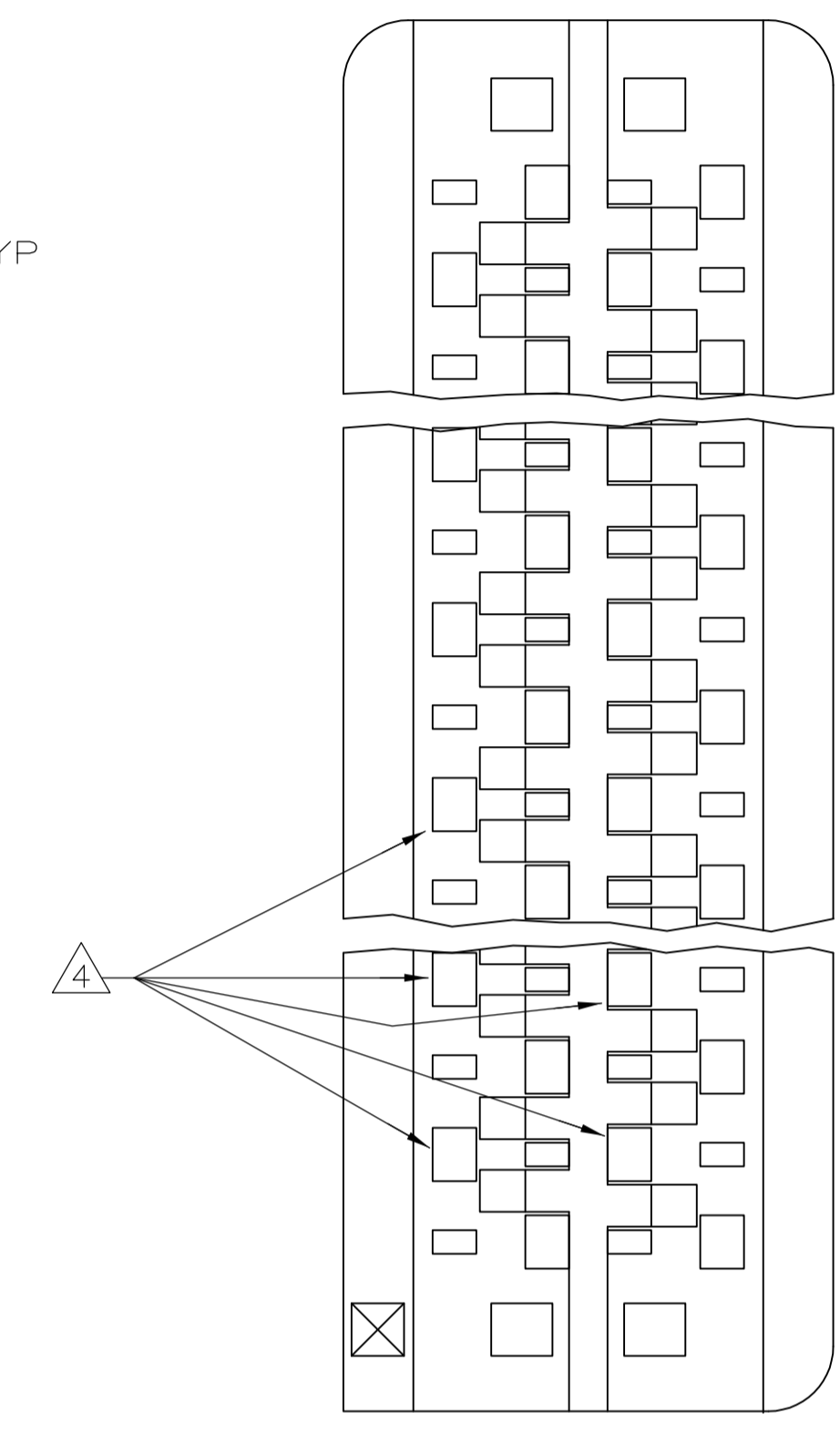
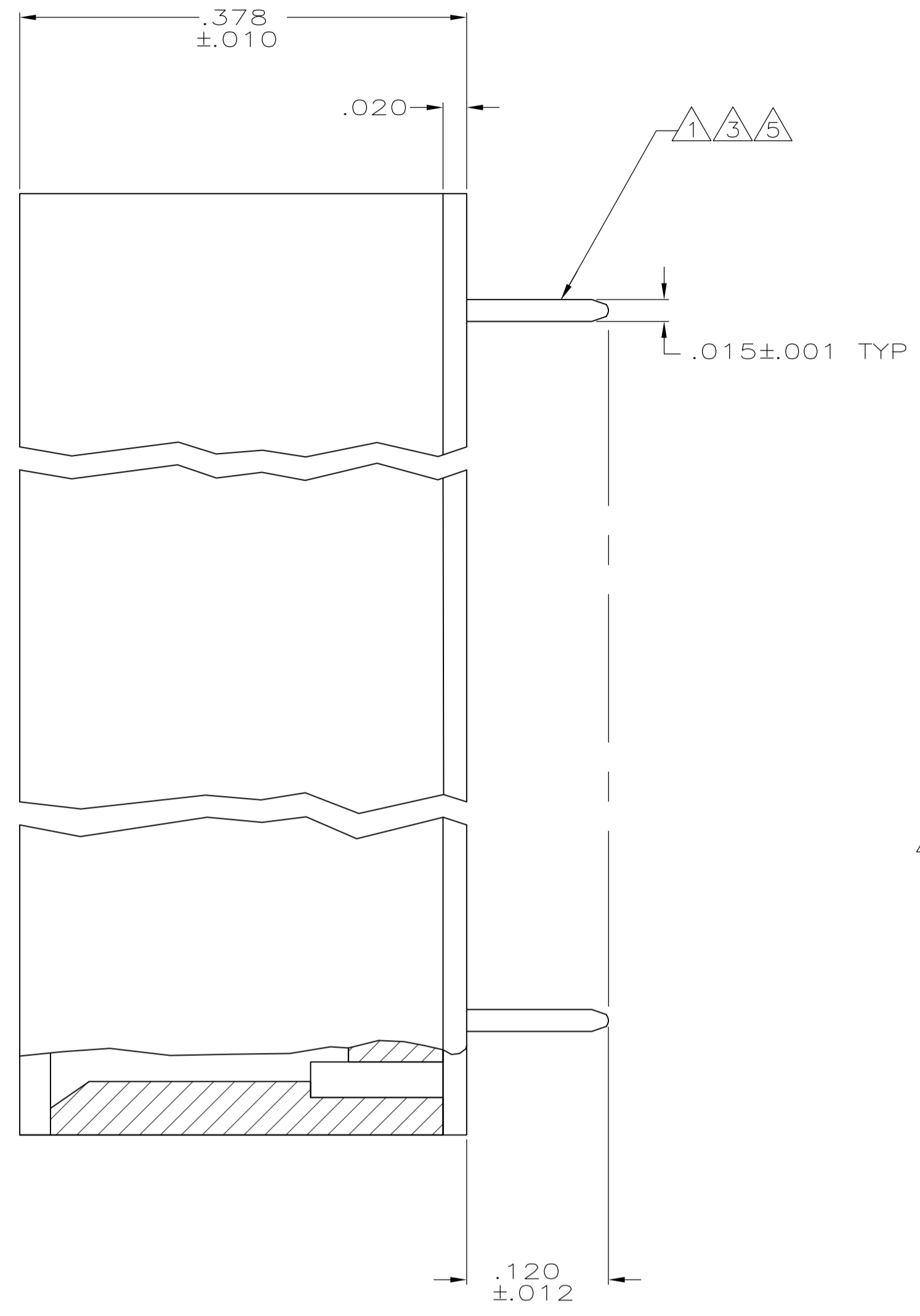
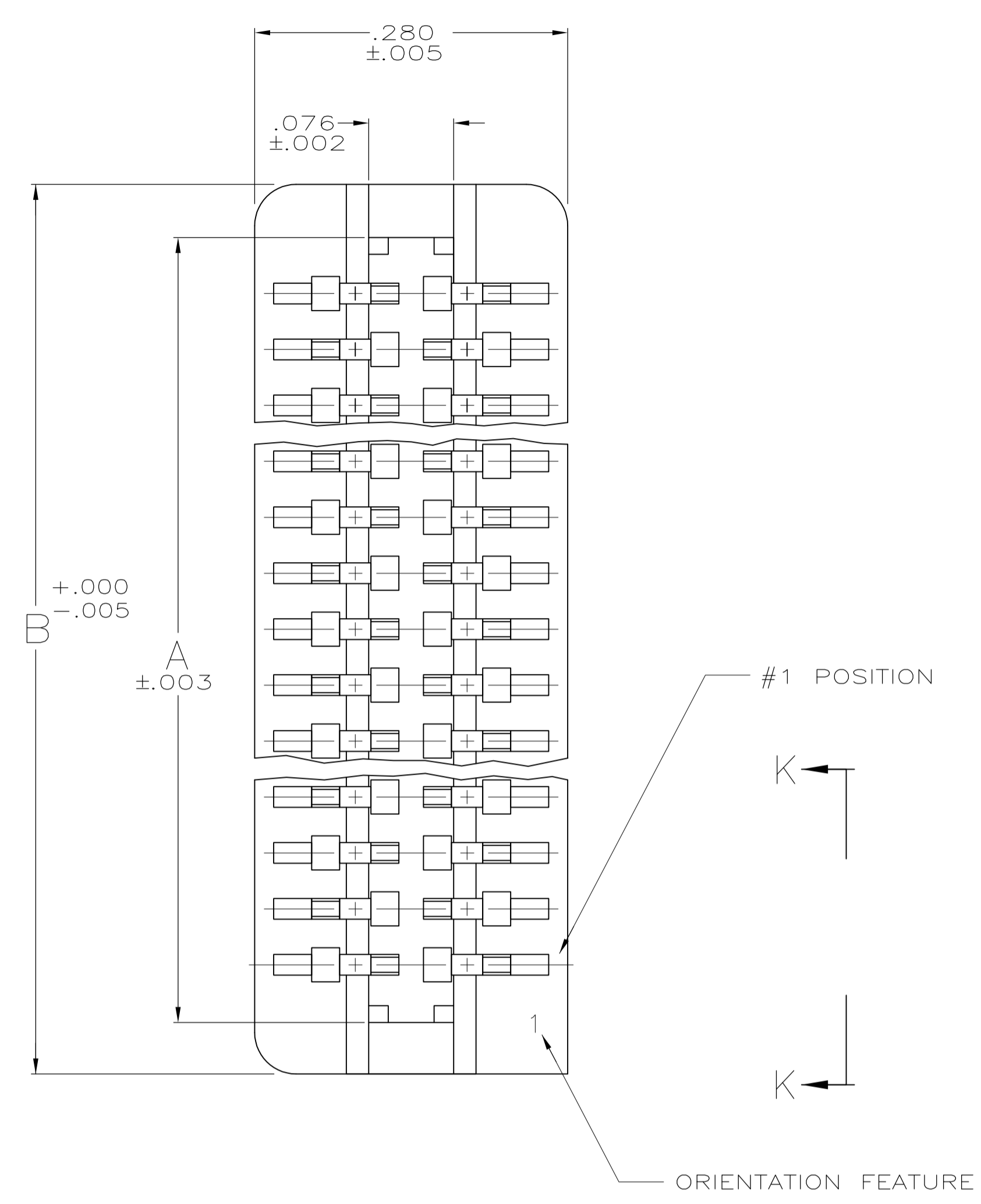
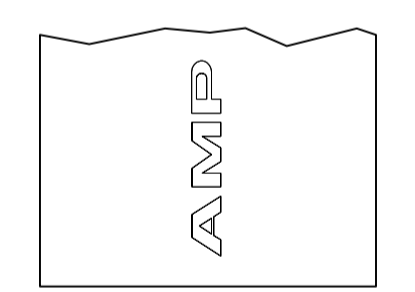
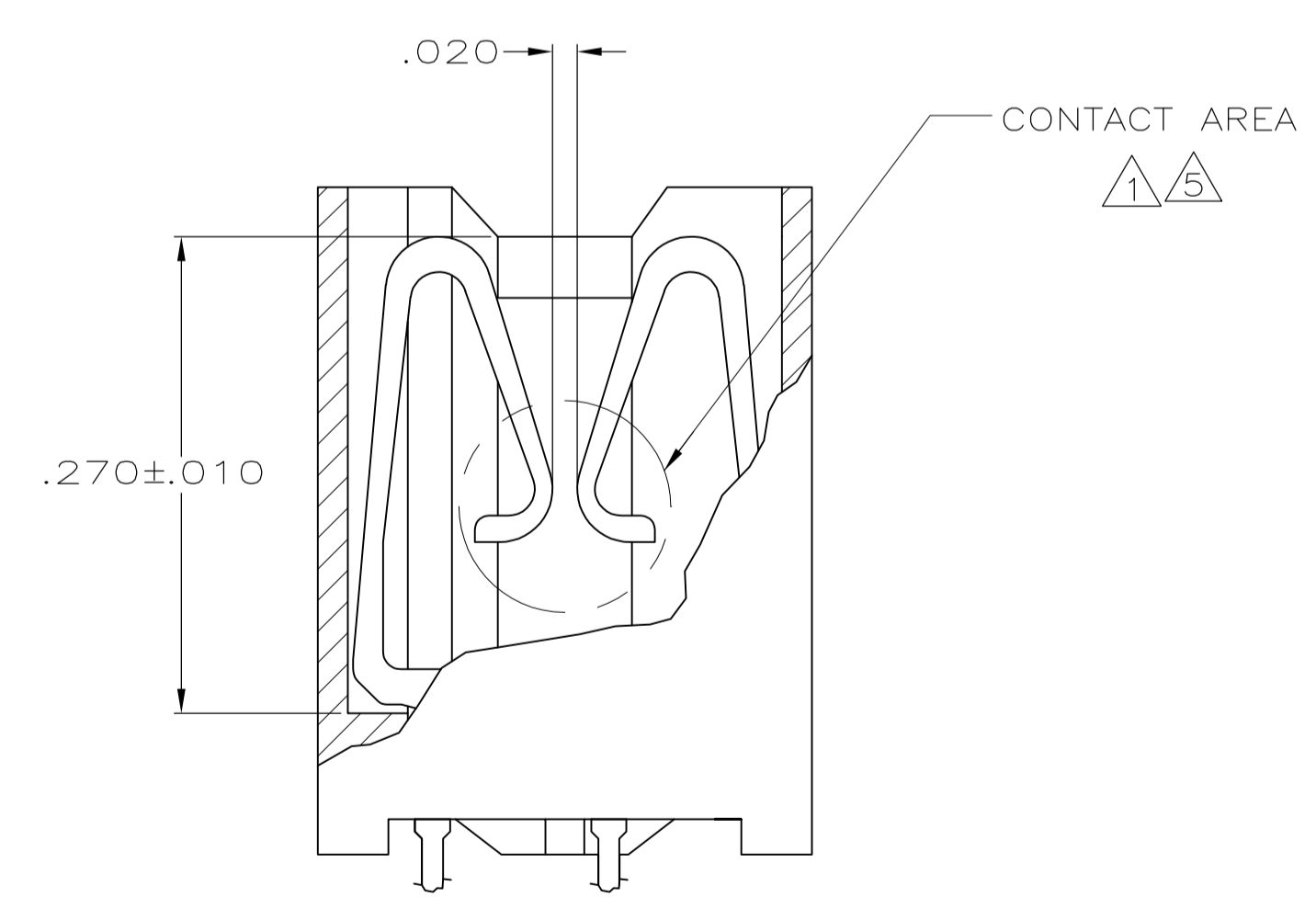


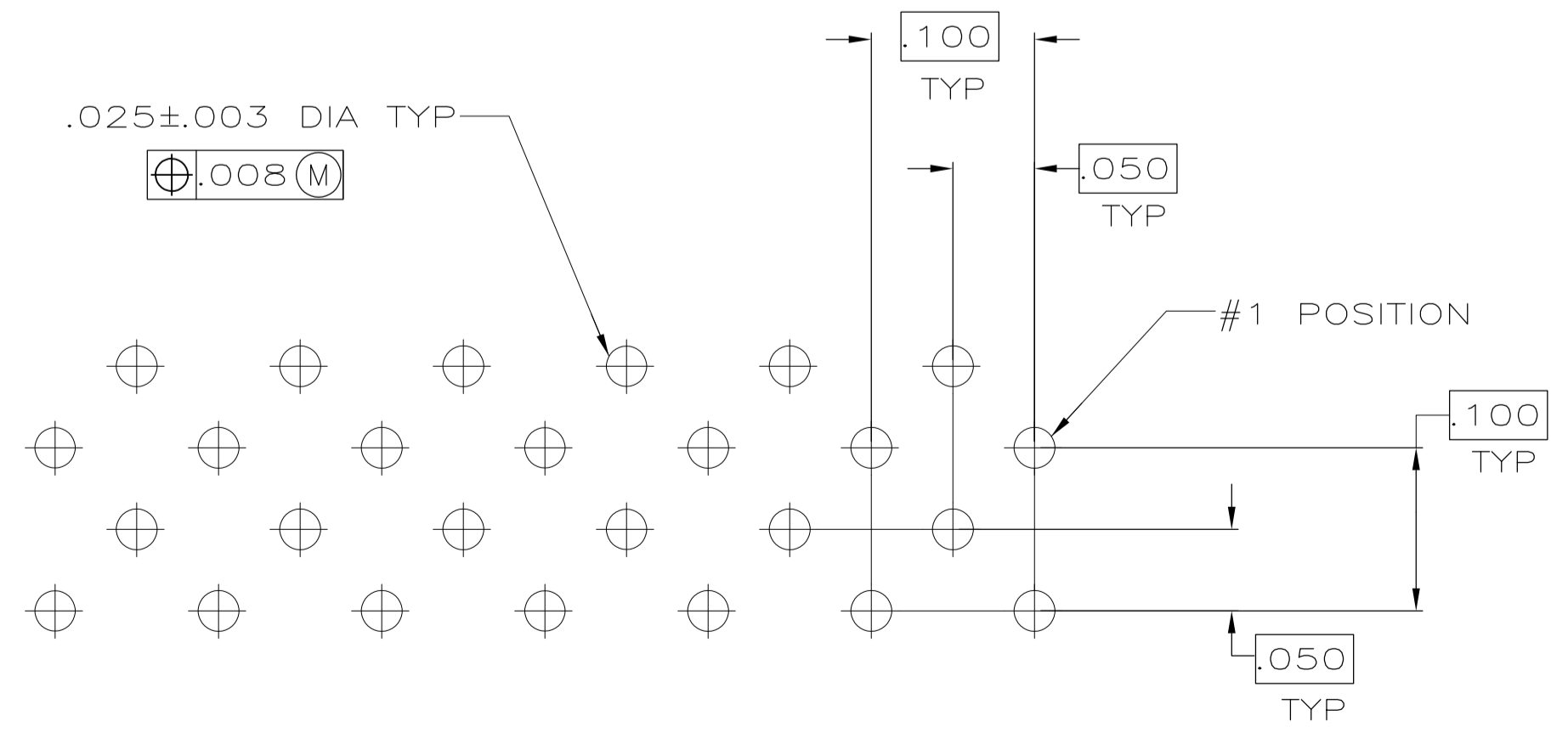
LOC		DIST		REVISIONS			
FT	22	P	LTR	DESCRIPTION	DATE	DMN	APVD
		G		ECO-06-24626	26OCT06	MB	MM
		G1		REVISED PER ECO-09-021510	05SEP09	KK	AEG



- 1 MATERIAL: HSG-GLOSS REINFORCED FLAME RETARDANT POLYESTER, COLOR-BLACK. CONTACT- BERYLLIUM COPPER FINISH .000030 MIN THK GOLD IN CONTACT AREA WITH .000150 MIN THK TIN-LEAD ON CONTACT LEGS, BALANCE OF CONTACT NICKEL PLATED.
- 2 THIS CONNECTOR IS DESIGNED TO ACCOMMODATE A .064±.005 THK PC BOARD.
- 3 THIS CONNECTOR IS DESIGNED TO MOUNT ON RECOMMENDED HOLE PATTERN.
- 4 SELECTIVE LOAD, FIVE CIRCUITS TO BE EMPTY.
- 5 MATERIAL: HSG-GLOSS REINFORCED FLAME RETARDANT POLYESTER, COLOR-BLACK. CONTACT- BERYLLIUM COPPER FINISH .000030 MIN THK GOLD IN CONTACT AREA WITH .000150 MIN THK TIN ON CONTACT LEGS, BALANCE OF CONTACT NICKEL PLATED.
- 6 OBSOLETE PARTS: OBSOLETE CIS STREAMLINING PER D.RENAUD/D.SINISI



VIEW K-K
AMP LOGO LOCATION
SCALE 5:1



RECOMMENDED MOUNTING HOLE PATTERN 3

OBSOLETE	SELECTIVE LOAD 4	.495	.400	7-DUAL SOLDERTAIL	5	5-382200-3	
OBSOLETE	-	1.895	1.800	35-DUAL SOLDERTAIL	5	5-382200-2	
OBSOLETE	-	.795	.700	13-DUAL SOLDERTAIL	5	5-382200-1	
6	OBSOLETE	SELECTIVE LOAD 4	.495	.400	7-DUAL SOLDERTAIL	1	382200-3
			1.895	1.800	35-DUAL SOLDERTAIL	1	382200-2
6	OBSOLETE	-	.795	.700	13-DUAL SOLDERTAIL	1	382200-1

REMARKS	B	A	DESCRIPTION	PART NUMBER
			CONNECTOR ASSY, MINI-EDGE	

THIS DRAWING IS A CONTROLLED DOCUMENT.

DIMENSIONS: INCHES

TOLERANCES UNLESS OTHERWISE SPECIFIED:

0. PLC	± .010
1. PLC	± .005
2. PLC	± .002
3. PLC	± .010
4. PLC	± .005
ANGLES	± .5°

MATERIAL 1 FINISH 1

THIS DRAWING IS A CONTROLLED DOCUMENT. DIN K.SALMEN 5-11-89. CHK A.MILLER 5-11-89. Tyco Electronics Corporation Harrisburg, PA 17105-3608. NAME PRODUCT SPEC APPLICATION SPEC SIZE CAGE CODE DRAWING NO. RESTRICTED TO WEIGHT A1 00779 C=382200 CUSTOMER DRAWING SCALE 10:1 SHEET 1 OF 1 REV G1