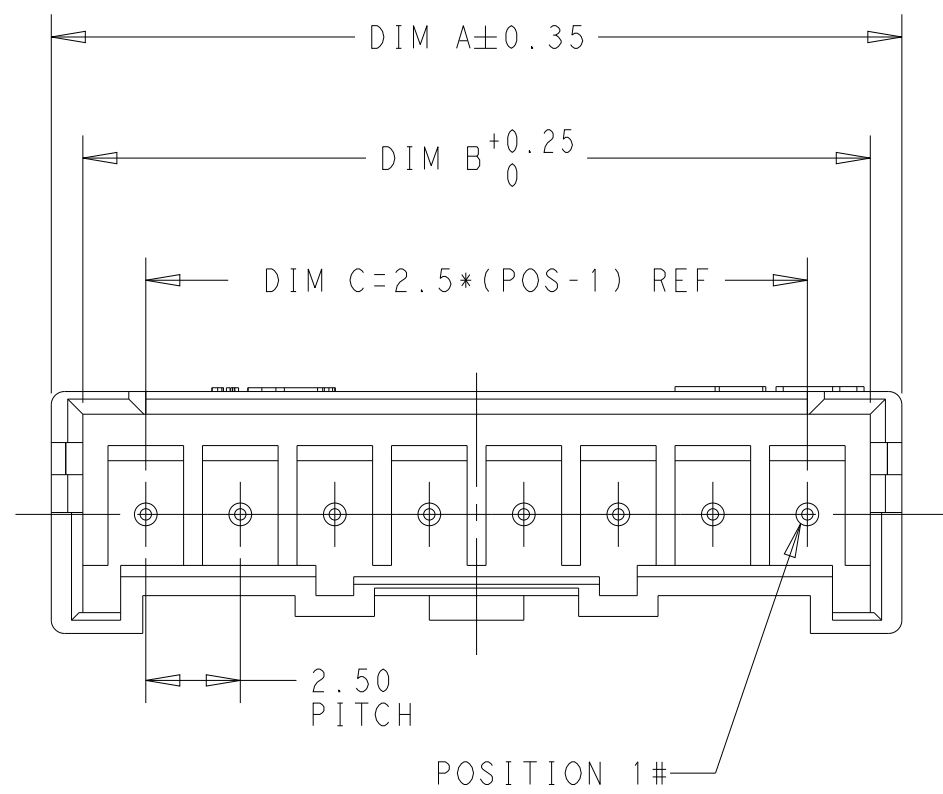
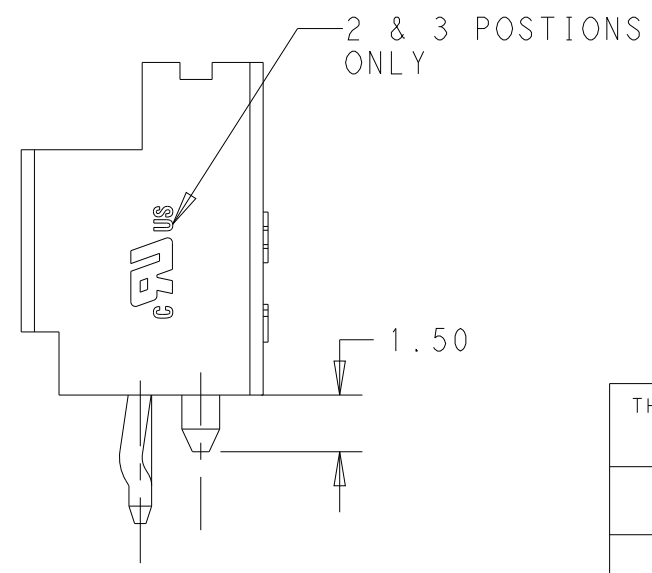
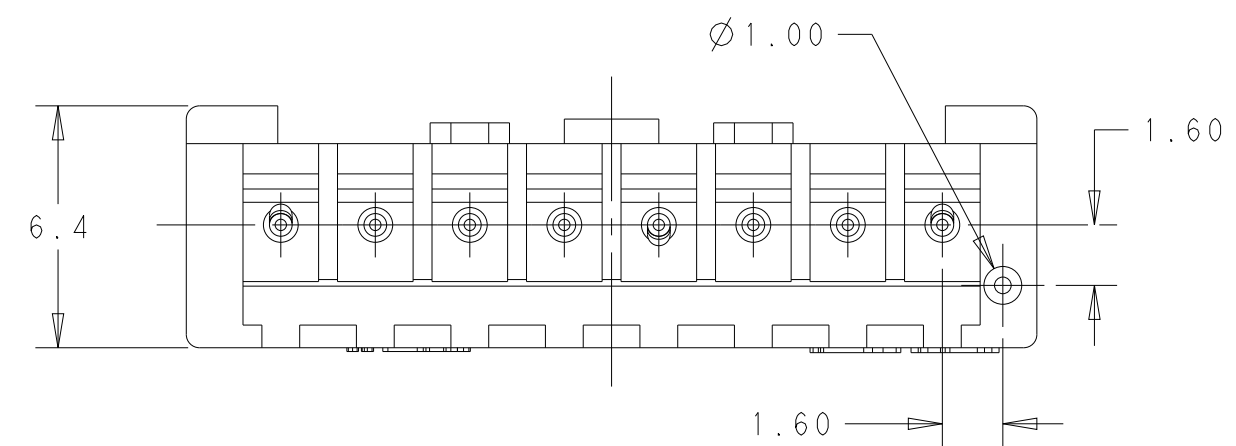
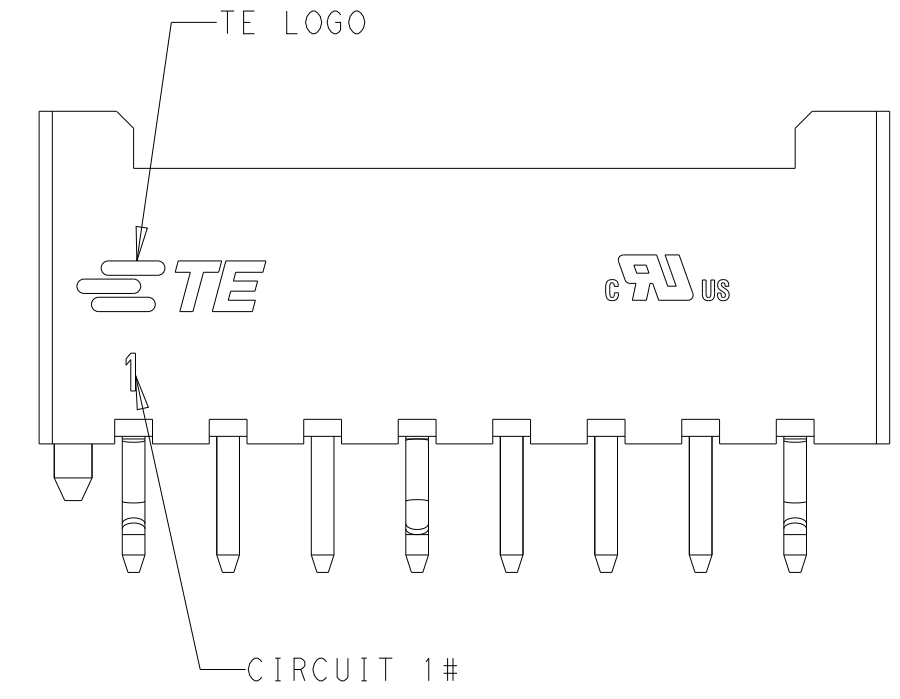
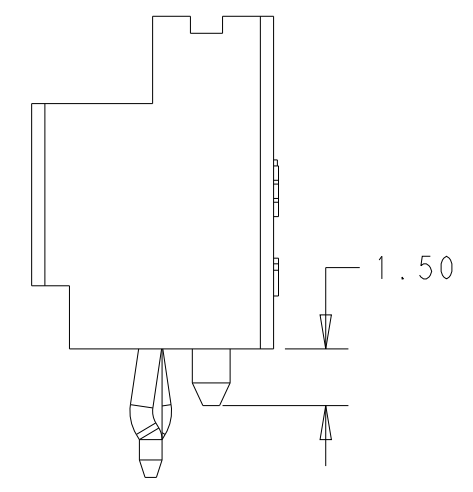
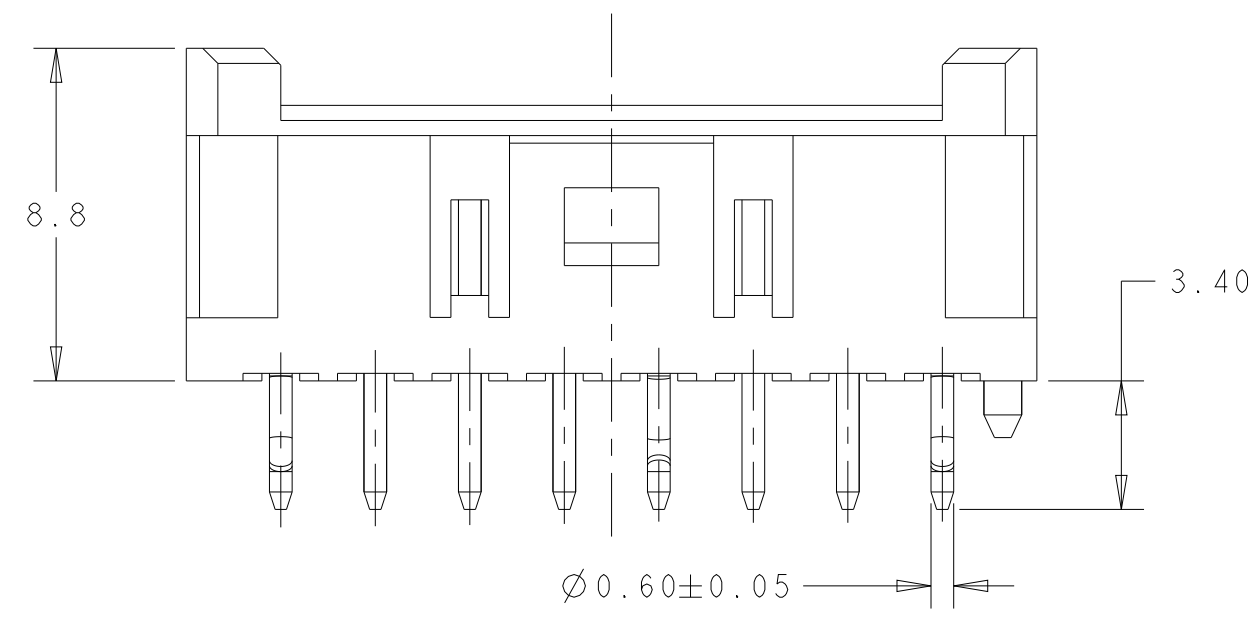


THIS DRAWING IS UNPUBLISHED. RELEASED FOR PUBLICATION
 © COPYRIGHT copyright dbTe- ALL RIGHTS RESERVED.

REVISIONS				
P	LTR	DESCRIPTION	DATE	APVD
A		REVISED PER ECN-22-148334	08APR2022	W.H L.C
A1		REVISED PER ECR-22-136510	25MAY2022	N.H L.C



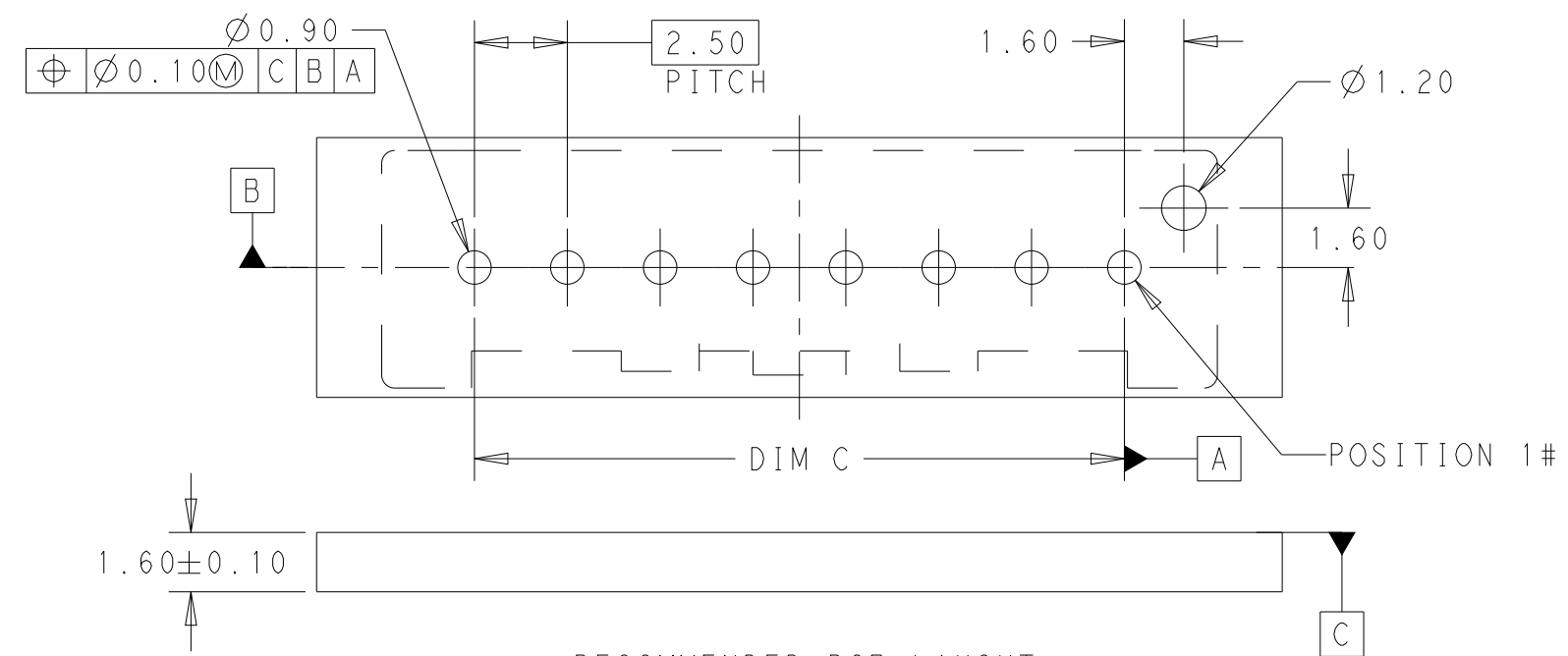
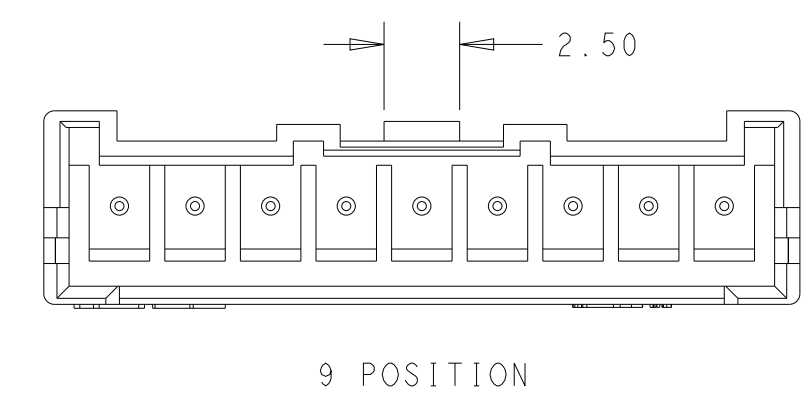
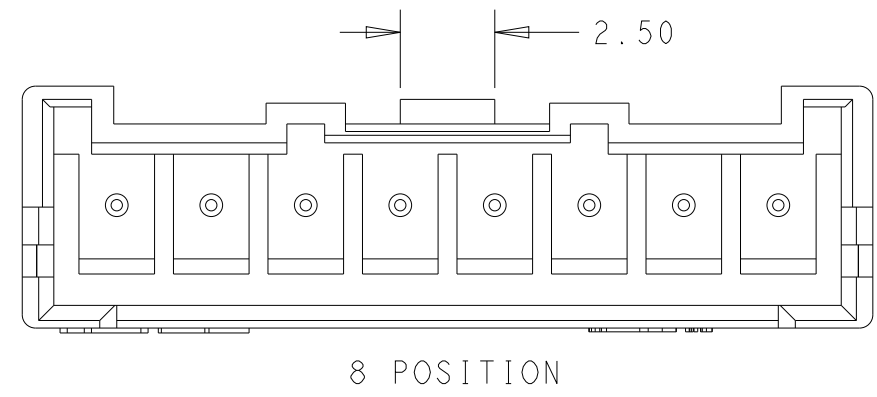
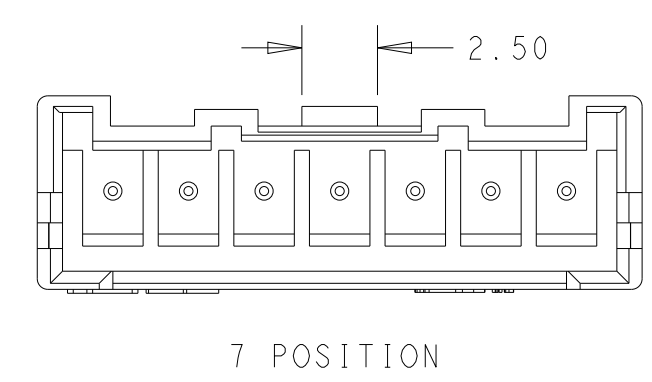
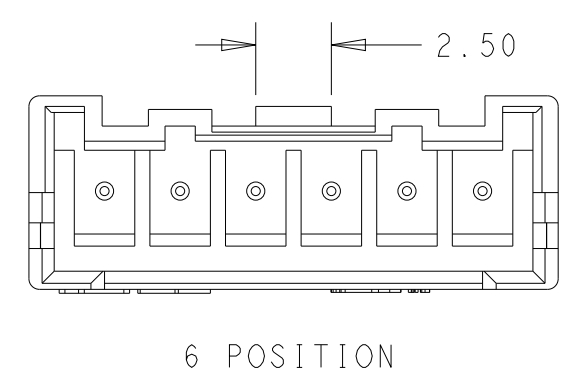
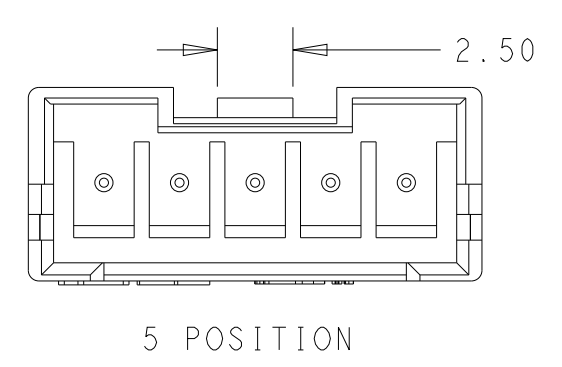
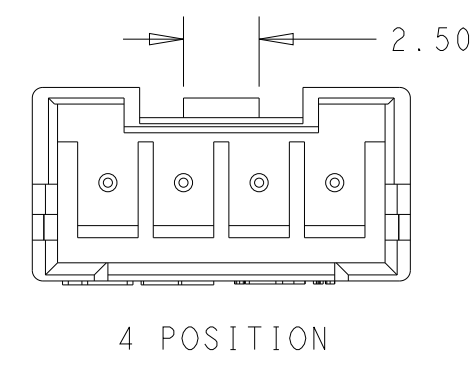
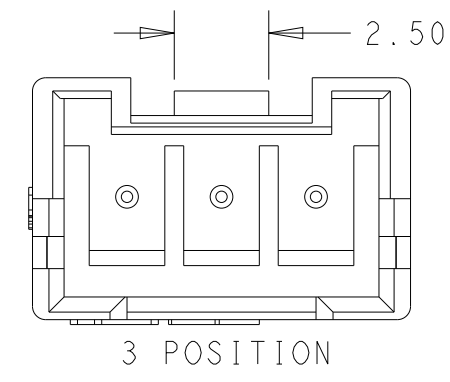
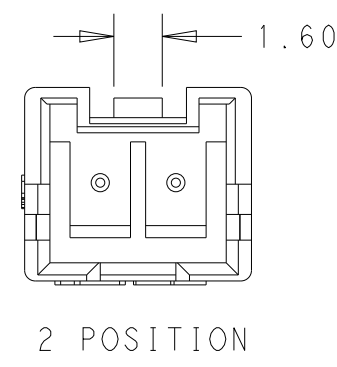
- 1 MATERIAL:
HOUSING: PBT, UL94-V0 COLOR: NATURAL
PIN CONTACT: COPPER ALLOY, 2.0µm MIN TIN OVER 1.25µm MIN NICKEL OVERALL.
- 2. DIMENSIONS SHOWN REPRESENT PRODUCT IN DRY, AS MOLDED, CONDITION. ADDITIONAL 2% GROWTH DUE TO SUBSEQUENT MOISTURE ABSORPTION MAY OCCUR AND SHOULD BE ACCOUNTED FOR.
- 3 CONTACT SOLDER TAIL KINK DIRECTION (BOARD LOCK) SEE PAGE 2.
- 4. RECOMMENDED MATING PART: 1744417-[]
- 5. PACKAGING: LOOSE PIECE.
- 6. PER IEC 60335-1 SECT. 30, GWEPT 750C, NO FLAME or Te-Ti ≤ 2S.
- 7. HIGH TEMPERATURE VERSION, MEET HEAT RESISTANCE FOR SOLDERING TEMPERATURE 260~265°C, DURATION 5 +2/-0 Sec.



THIS DRAWING IS A CONTROLLED DOCUMENT.		DWN: HUO 06DEC2021	STE TE Connectivity	
DIMENSIONS: mm		CHK: CHEN 07DEC2021		
TOLERANCES UNLESS OTHERWISE SPECIFIED:		APVD: D. ZHANG 08DEC2021	NAME: HEADER ASSEMBLY, VERTICAL GLOW WIRE, WITH BOSS, EP2.5	
0 PLC	±	PRODUCT SPEC	108-2418	
1 PLC	±0.30	APPLICATION SPEC	114-13315	
2 PLC	±0.20	WEIGHT	-	
3 PLC	±	CUSTOMER DRAWING	SCALE 5:1 SHEET 1 OF 2 REV A1	
4 PLC	±			
ANGLES	±3°			
FINISH	-			
MATERIAL	-			

THIS DRAWING IS UNPUBLISHED. RELEASED FOR PUBLICATION
 © COPYRIGHT copyright.dBTe- ALL RIGHTS RESERVED.

REVISIONS				
P	LTR	DESCRIPTION	DATE	APVD
-		SEE SHEET 1	-	-



● : KINKED PIN ○ : NO KINK							●	●	2P		
							●	○	●	3P	
					●	○	○	○	●	4P	
				●	○	○	○	○	●	5P	
			●	○	○	○	○	○	●	6P	
		●	○	○	○	○	○	○	●	7P	
	●	○	○	○	○	○	○	○	●	8P	
	●	○	○	○	○	○	○	○	●	9P	
		9	8	7	6	5	4	3	2	1	POS

20.0	23.33	25.0	9	2404280-9
17.5	20.83	22.5	8	2404280-8
15.0	18.33	20.0	7	2404280-7
12.5	15.83	17.5	6	2404280-6
10.0	13.33	15.0	5	2404280-5
7.5	10.83	12.5	4	2404280-4
5.0	8.33	10.0	3	2404280-3
2.5	5.83	7.5	2	2404280-2
DIM C	DIM B	DIM A	POS	PART NO

THIS DRAWING IS A CONTROLLED DOCUMENT.

DWN	W. HUO	06DEC2021
CHK	L. CHEN	07DEC2021
APVD	D. ZHANG	08DEC2021

STE TE Connectivity

NAME: HEADER ASSEMBLY, VERTICAL GLOW WIRE, WITH BOSS, EP2.5

SIZE	CAGE CODE	DRAWING NO	RESTRICTED TO
A2	00779	C-2404280	-

SCALE: N/A SHEET: 2 OF 2 REV: A1