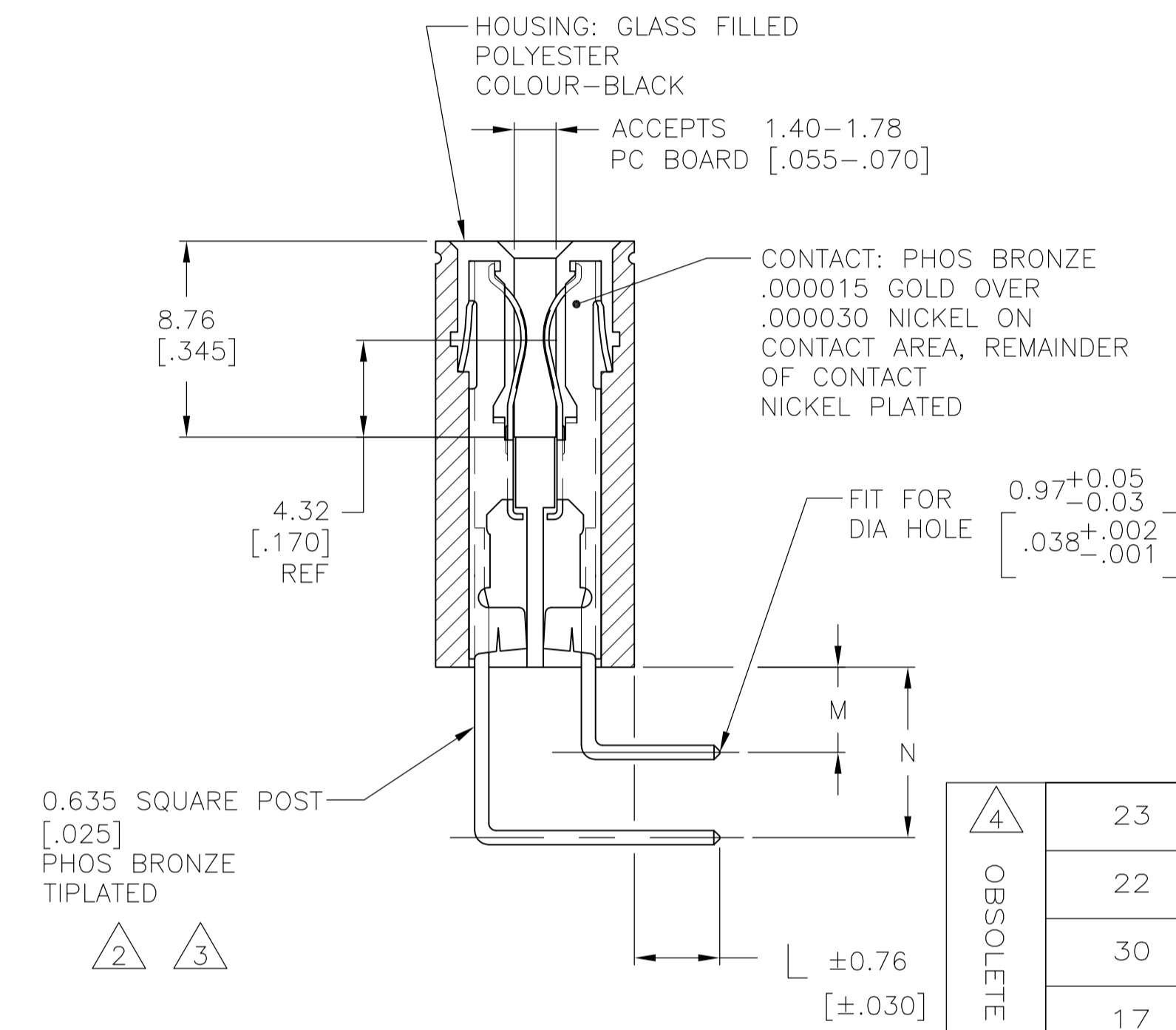


- 1 PRELIMINARY - NOT RELEASED FOR PRODUCTION.
- 2 MATTE TIN PLATED
- 3 TIN-LEAD PLATED
- 4 OBSOLETE PARTS: OBSOLETE CIS STREAMLINING PER D.RENAUD/D.SINISI



NO OF POSITIONS	A	B	C	D	L	M	N	PART NUMBER
23	55.88 [2.200]	60.96 [2.400]	66.04 [2.600]	61.47 [2.420]	3.81 [.150]	3.81 [.150]	7.62 [.300]	6-530218-3
22	53.34 [2.100]	58.42 [2.300]	63.5 [2.500]	58.93 [2.320]	3.81 [.150]	3.81 [.150]	7.62 [.300]	5-530218-9
30	73.66 [2.900]	78.74 [3.100]	83.82 [3.300]	79.25 [3.120]	3.81 [.150]	3.81 [.150]	7.62 [.300]	5-530218-6
17	40.64 [1.600]	45.72 [1.800]	50.8 [2.000]	46.23 [1.820]	3.81 [.150]	3.81 [.150]	7.62 [.300]	5-530218-5
25	60.96 [2.400]	66.04 [2.600]	71.12 [2.800]	66.55 [2.620]	3.81 [.150]	3.81 [.150]	7.62 [.300]	5-530218-1
23	55.88 [2.200]	60.96 [2.400]	66.04 [2.600]	61.47 [2.420]	3.81 [.150]	3.81 [.150]	7.62 [.300]	1-530218-3
15	35.56 [1.400]	40.64 [1.600]	45.72 [1.800]	41.15 [1.620]	0.381 [.015]	3.81 [.150]	7.62 [.300]	1-530218-2
36	88.9 [3.500]	93.98 [3.700]	99.06 [3.900]	94.49 [3.720]	3.81 [.150]	3.81 [.150]	7.62 [.300]	1-530218-1
10	22.86 [0.900]	27.94 [1.100]	33.02 [1.300]	28.45 [1.120]	3.81 [.150]	3.81 [.150]	7.62 [.300]	1-530218-0
22	53.34 [2.100]	58.42 [2.300]	63.5 [2.500]	58.93 [2.320]	3.81 [.150]	3.81 [.150]	7.62 [.300]	530218-9
50	124.46 [4.900]	129.54 [5.100]	132.33 [5.210]	130.05 [5.120]	3.81 [.150]	3.81 [.150]	7.62 [.300]	530218-8
40	99.06 [3.900]	104.14 [4.100]	109.22 [4.300]	104.65 [4.120]	3.81 [.150]	3.81 [.150]	7.62 [.300]	530218-7
30	73.66 [2.900]	78.74 [3.100]	83.82 [3.300]	79.25 [3.120]	3.81 [.150]	3.81 [.150]	7.62 [.300]	530218-6
17	40.64 [1.600]	45.72 [1.800]	50.8 [2.000]	46.23 [1.820]	3.81 [.150]	3.81 [.150]	7.62 [.300]	530218-5
20	48.26 [1.900]	53.34 [2.100]	58.42 [2.300]	53.85 [2.120]	3.81 [.150]	3.81 [.150]	7.62 [.300]	530218-4
13	30.48 [1.200]	35.56 [1.400]	40.64 [1.600]	36.07 [1.420]	3.81 [.150]	3.81 [.150]	7.62 [.300]	530218-3
18	43.18 [1.700]	48.26 [1.900]	53.34 [2.100]	48.77 [1.920]	3.81 [.150]	3.81 [.150]	7.62 [.300]	530218-2
25	60.96 [2.400]	66.04 [2.600]	71.12 [2.800]	66.55 [2.620]	3.81 [.150]	3.81 [.150]	7.62 [.300]	530218-1

THIS DRAWING IS A CONTROLLED DOCUMENT. 11AUG93

AWD: A STAUB_BG
 CHK: H ROSE
 APVD: H ROSE
 NAME: H ROSE

DATE: 08FEB94

PRODUCT SPEC: CONNECTOR ASSEMBLY, TWIN LEAF WITH .025 SQ POST, RIGHT ANGLE .100 CENTERS

APPLICATION SPEC: ---

SIZE: A1
 CAGE CODE: 00779
 DRAWING NO: 530218

RESTRICTED TO: ---

MATERIAL: SEE CALLOUT
 FINISH: SEE CALLOUT
 WEIGHT: ---

CUSTOMER DRAWING
 SCALE: 4:1
 SHEET: 1 OF 1
 REV: W1