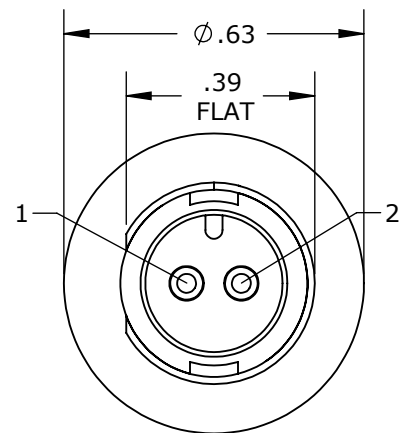
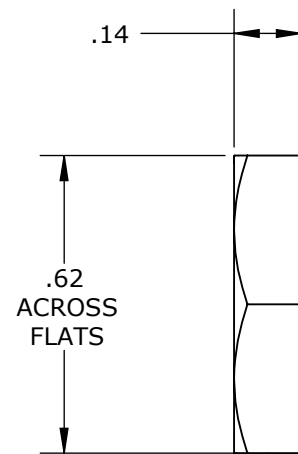


PART NO.	NO. OF PINS
17281-2PG-300	2
17281-3PG-300	3

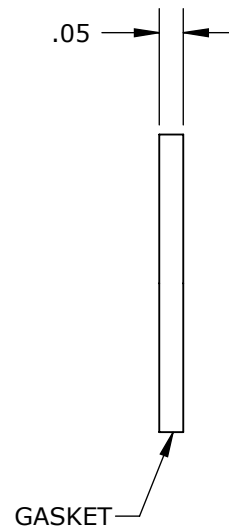
- NOTES:
1. PARTS ARE BULK PACKED.
2. CONTACTS ARE INSERTED INTO PANEL CONNECTOR.
3. ALL DIMENSIONS ARE FOR REFERENCE ONLY UNLESS OTHERWISE SPECIFIED.



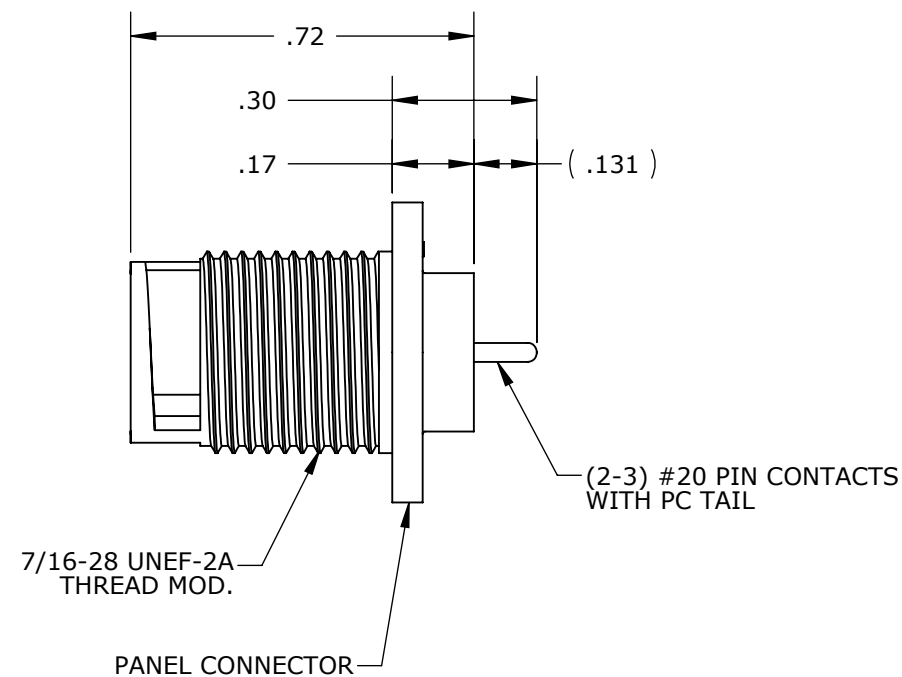
FACE VIEW
17281-2PG-300



HEX NUT



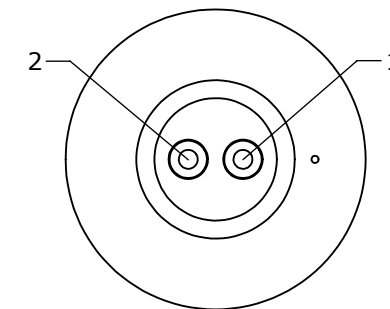
GASKET



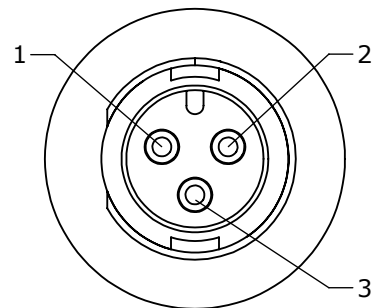
7/16-28 UNEF-2A
THREAD MOD.

PANEL CONNECTOR

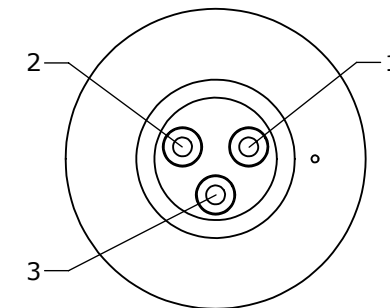
(2-3) #20 PIN CONTACTS
WITH PC TAIL



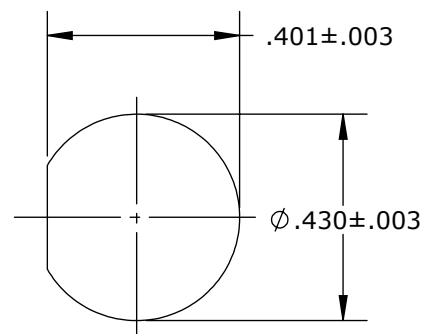
WIRE VIEW
17281-2PG-300



FACE VIEW
17281-3PG-300



WIRE VIEW
17281-3PG-300



**RECOMMENDED
PANEL CUT-OUT**

CUSTOMER APPROVAL

THIS DOCUMENT CONTAINS CONFIDENTIAL INFORMATION PROPRIETARY TO CONXALL CORPORATION. ANY REPRODUCTION, DISCLOSURE, OR USE OF THIS DOCUMENT /INFORMATION IS EXPRESSLY PROHIBITED UNLESS AUTHORIZED IN WRITING BY CONXALL CORPORATION.

APPROVED BY: _____
DATE: _____

A	BZ	05-28-09	DRAWING CREATED PER DOR 09-E149SL	
REV.	INIT.	DATE	DESCRIPTION	
	BZ	05-28-09	<small>ALL INFORMATION ILLUSTRATED IS THE PROPERTY OF "CONXALL CORPORATION." UNAUTHORIZED DUPLICATION OR DISTRIBUTION OF THIS DOCUMENT IS PROHIBITED.</small> CONXALL 601 E. WILDWOOD VILLA PARK, IL 60181	
<small>ALL UNITS ARE IN FEET, INCHES, FRACTION OF INCHES AND DECIMALS.</small>			TITLE: PANEL MOUNT ASSEMBLY (2-3) #20 PIN CONTACTS, PC TAIL MICRO-CON-X CUSTOMER: STANDARD PRODUCT	
APPROVED BY:		SCALE	SIZE	SHEET
		NTS	B	1 OF 1
FILE:	DIRECTORY:	PART NUMBER:	REV	
17281-XPG-300	SLW	17281-XPG-300	A	

CUSTOMER PRINT

PART NUMBER: 17281-XPG-300