

R1973 SERIES ROCKER SWITCH

ANTI-VANDAL SWITCHES
DETECTOR SWITCHES
DIP SWITCHES
KEYLOCK SWITCHES
NAVIGATION SWITCHES
PUSHBUTTON SWITCHES
ROCKER SWITCHES
ROTARY SWITCHES
SLIDE SWITCHES
SNAP ACTION SWITCHES
TACTILE SWITCHES
TOGGLE SWITCHES
CAP OPTIONS



APPLICATIONS / MARKETS



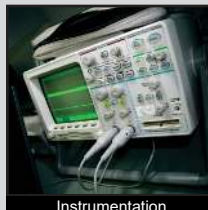
Home Appliances



Medical Equipment



Electrical Houseware



Instrumentation



Consumer Electronics



Medical / Dental

RoHS

SPECIFICATIONS

Contact Rating: 9A @ 125VAC [cURus]
6A @ 250VAC [cURus]
Contact Arrangement: SPST, DPST
Electrical Life: 10,000 cycles
Mechanical Life: 30,000 cycles
Insulation Resistance: >1000 MΩ
Dielectric Strength: >1,500VAC for 1 minute
Operating Temperature: -30°C to 65°C
Storage Temperature: -30°C to 80°C
Panel Thickness: 0.7mm to 3.0mm

FEATURES & BENEFITS

- Agency approvals: cURus
- SPST and DPST
- Illumination options
- Multiple termination options
- Actuator marking available
- Standard 13mm x 19mm panel cutout size

PART NUMBER CONFIGURATOR

Series	Circuit	Housing Color	Actuator Color	Marking (see chart)	Termination	Lamp Voltage
<input type="text" value="R"/> <input type="text" value="1"/> <input type="text" value="9"/> <input type="text" value="7"/> <input type="text" value="3"/>	<input type="text" value="A"/> <input type="text" value="B"/>	<input type="text" value="BLK"/> <input type="text" value="WHT"/> <input type="text" value="GRY"/>	<input type="text" value="BLK"/> <input type="text" value="RED"/> <input type="text" value="GRY"/> <input type="text" value="YIL"/> <input type="text" value="GIL"/> <input type="text" value="RIL"/> <input type="text" value="BIL"/>	<input type="text" value="A"/> <input type="text" value="D"/> <input type="text" value="E"/> <input type="text" value="F"/> <input type="text" value="G"/> <input type="text" value="I"/>	<input type="text" value="F"/> <input type="text" value="R"/>	<input type="text" value="0"/> <input type="text" value="1"/> <input type="text" value="2"/> <input type="text" value="3"/> <input type="text" value="4"/>
R1973	A - SPST B - DPST	BLK - Black WHT - White GRY - Grey	BLK - Black RED - Red GRY - Grey YIL - Yellow Illuminated GIL - Green Illuminated RIL - Red Illuminated BIL - Blue Illuminated		F - Faston R - Right Angle PC Pin	0 - No Lamp 1 - Neon Bulb 125V-AC 2 - Neon Bulb 250V-AC 3 - LED 12V-DC 4 - LED 24V-DC

Specifications subject to change without notice 11.10.2021



E-SWITCH®

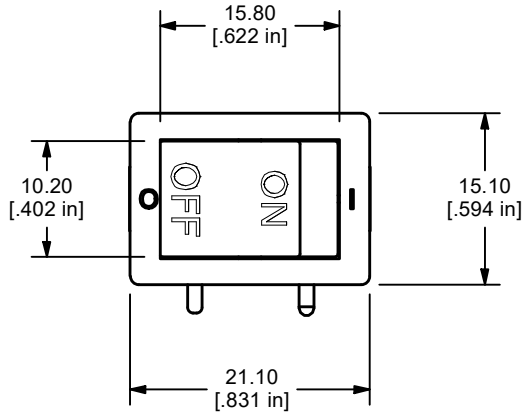
www.e-switch.com

800.867.2717

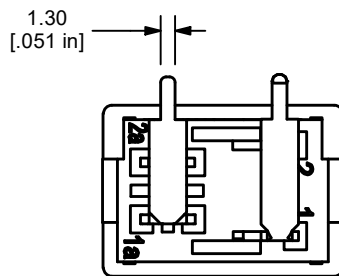
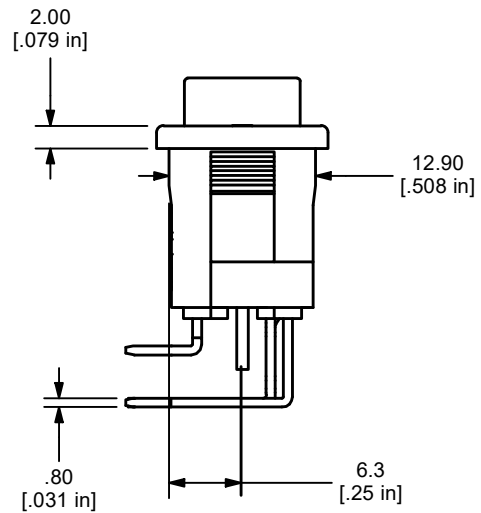
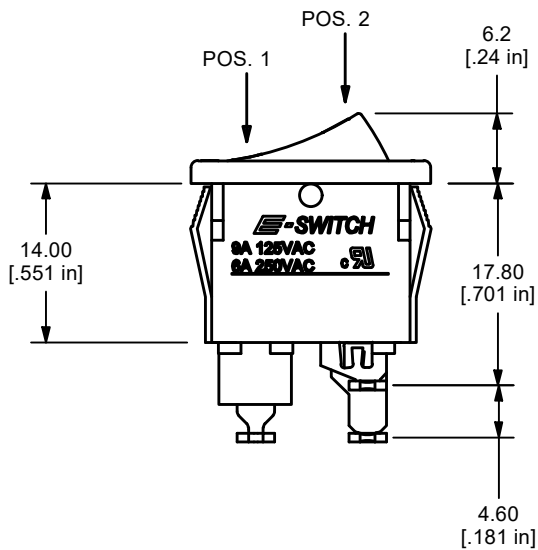
1

R1973 SERIES ROCKER SWITCH

BODY DIMENSIONS



MODEL NO.	POS. 1	POS. 2
A - SPST	OFF	ON
TERMINAL CLOSURE	OPEN	1-1a or 2-2a for NON-ILLUMINATED RIGHT ANGLE PC PIN



"R" TERMINAL
(RIGHT ANGLE TERMINALS BENT
TOWARDS THE LOGO SIDE)

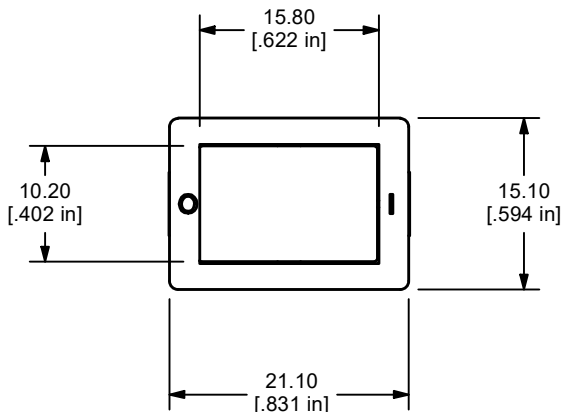
SHOWN WITH
A - SPST ILLUMINATED
I - MARKING
R - RIGHT ANGLE PC PIN



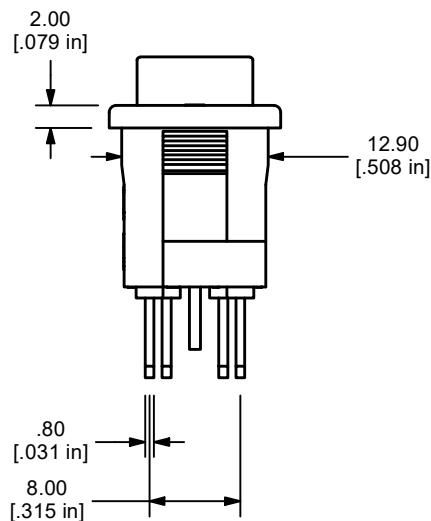
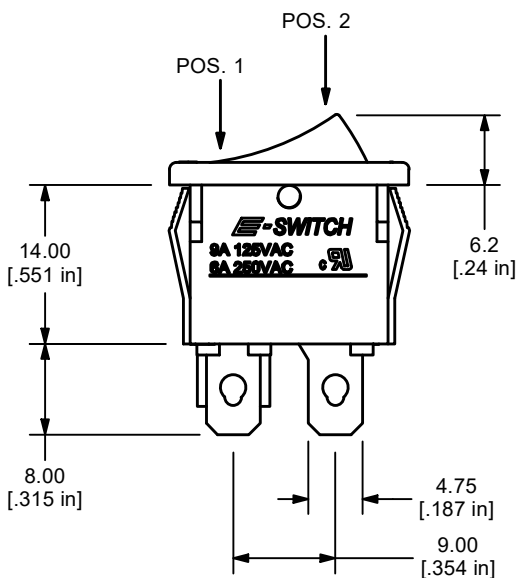
R1973 SERIES ROCKER SWITCH

BODY DIMENSIONS

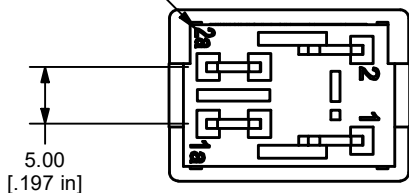
- ANTI-VANDAL SWITCHES
- DETECTOR SWITCHES
- DIP SWITCHES
- KEYLOCK SWITCHES
- NAVIGATION SWITCHES
- PUSHBUTTON SWITCHES
- ROCKER SWITCHES**
- ROTARY SWITCHES
- SLIDE SWITCHES
- SNAP ACTION SWITCHES
- TACTILE SWITCHES
- TOGGLE SWITCHES
- CAP OPTIONS



MODEL NO.	POS. 1	POS. 2
B - DPST	OFF	ON
TERMINAL CLOSURE	OPEN	1-1a, 2-2a



TERMINAL DESIGNATIONS
(DPST VERSION SHOWN)

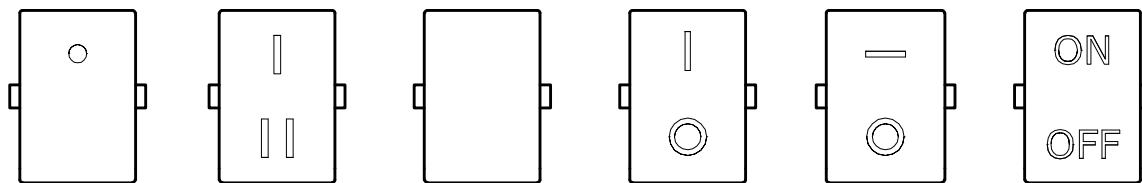


SHOWN WITH
B - DPST
E - MARKING
F - FASTON



R1973 SERIES ROCKER SWITCH

MARKING OPTIONS



A

D

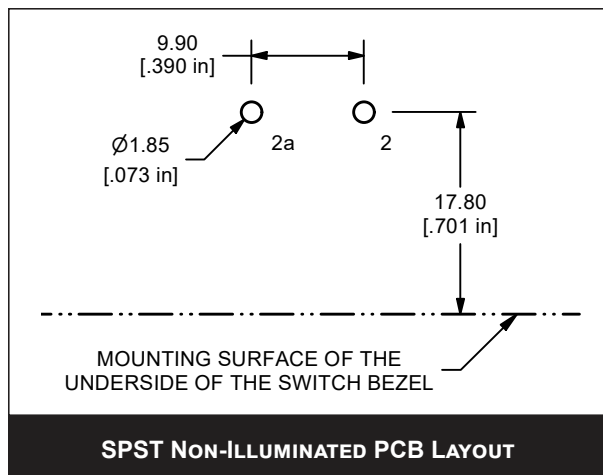
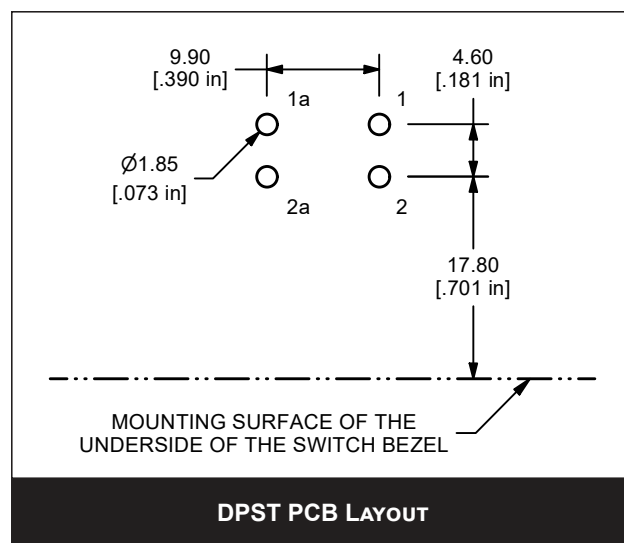
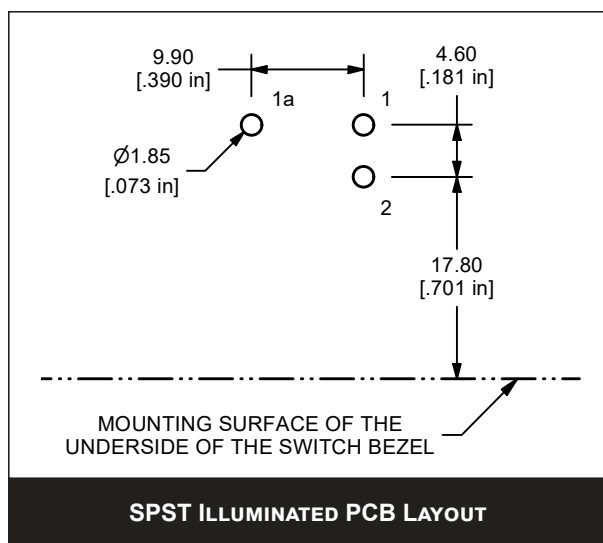
E

F

G

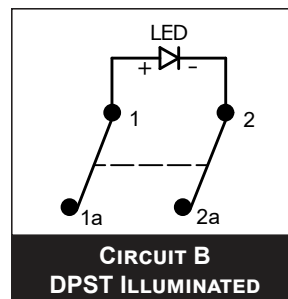
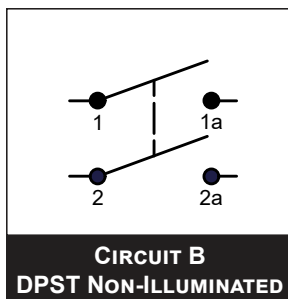
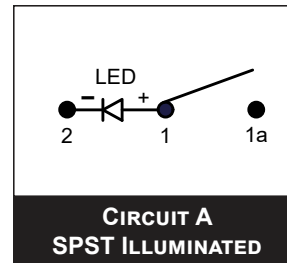
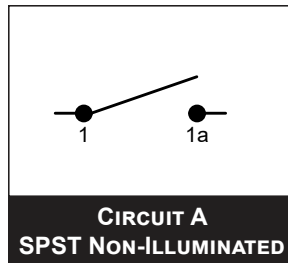
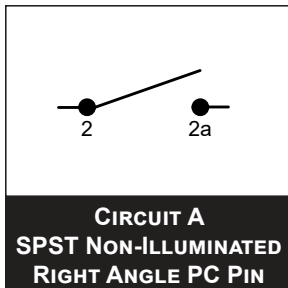
I

PCB LAYOUTS



R1973 SERIES ROCKER SWITCH

SCHEMATICS



PANEL CUTOUT

