

HCMOS COMPATIBLE SURFACE MOUNT LOW PROFILE (1.4max) CRYSTAL CLOCK OSCILLATOR

ASV2 SERIES



**RoHS
Compliant**



7.0 x 5.0 x 1.4mm

FEATURES:

- Low height 1.4 mm max.
- HCMOS compatible, 1.8V to 3.3VDC
- Tristate function
- Suitable for RoHS reflow
- Available for -40°C to 85°C extended temperature
- Seam sealed package assures high reliability
- Low stand-by current

APPLICATIONS:

- Clock signaling for μ Processors, PC Motherboards and Graphic Cards
- Wireless communications

STANDARD SPECIFICATIONS:

Parameters		Minimum	Typical	Maximum	Units	Notes
Frequency Range	1.8V	0.012	-----	124.999	MHz	
	2.5V	0.012	-----	133		
	3.3V	0.012	-----	133		
Operating Temperature		-10	-----	+70	°C	See options
Storage Temperature		-55	-----	+125	°C	
Overall Frequency Stability		-100	-----	+100	ppm	See options
Supply Voltage (Vdd)		2.97	3.3	3.63	V	See options
Input Current	Frequency	3.3V	2.5V	1.8V	mA (max)	
	0.012MHz Fo < 0.048MHz	5	5	N/A		
	0.048MHz Fo < 1.5MHz	5	5	5		
	1.5MHz Fo < 20MHz	7	7	5		
	20MHz Fo < 50MHz	20	15	15		
	50MHz Fo < 70MHz	30	20	15		
	70MHz Fo < 125MHz	30	20	20		
125MHz Fo 133MHz	40	30	N/A			
Symmetry (@ 1/2Vdd)		40	50	60	%	See options
Rise and Fall Time (Tr/Tf)**	Frequency	3.3V	2.5V	1.8V	ns (max)	Measured between 10% and 90% of Vdd with 15pF load
	0.012MHz Fo < 1.0MHz	200	200	N/A		
	1.0MHz Fo < 20MHz	10	10	10		
	20MHz Fo < 50MHz	6	6	6		
	50MHz Fo < 70MHz	3	3	3		
	70MHz Fo < 125MHz	3	3	3		
125MHz Fo 133MHz	3	3	N/A			
Output Load				15	pF	CMOS (5TTL compatible)
Output Voltage	VOH	0.9*Vdd	-----	-----	V	
	VOL	-----	-----	0.1*Vdd	V	
Start-up Time		-----	-----	8.0	ms	
Tri-state function (Stand-by) :	Vdd	VIH	-----	VIL	V	"1" (VIH \geq 0.7*Vdd) or Open: Oscillation "0" (VIH < 0.3*Vdd) : Hi Z
	1.8	1.26	-----	0.5		
	2.5	1.75	-----	0.5		
	3.3	2.0	-----	0.5		
Disable current		-----	-----	10	uA	
Absolute Period jitter (Reference only. Please contact Abracon for each frequencies.):		-----	-----	40.0	ps	
Aging		-5.0	-----	+5.0	ppm	@+25°C First year

ABRACON IS
ISO9001:2008
CERTIFIED



**ABRACON
CORPORATION**

Visit www.abracon.com for Terms & Conditions of Sale **Revised: 10.29.10**
30332 Esperanza, Rancho Santa Margarita, California 92688
tel 949-546-8000 | fax 949-546-8001 | www.abracon.com

HCMOS COMPATIBLE SURFACE MOUNT LOW PROFILE (1.4max) CRYSTAL CLOCK OSCILLATOR



7.0 x 5.0 x 1.4mm

ASV2 SERIES



**RoHS
Compliant**

OPTIONS & PART IDENTIFICATION:

(Left blank if standard)

ASV2 - MHz - - -

P/N and Vdd (V)
ASV2: 3.3 ±10%
ASV21: 2.5 ±10%
ASV22: 1.8 ±10%

Frequency in MHz
e.g. 24.576MHz
14.31818MHz
26.000MHz

Packaging
Blank: Bulk
T: Tape & Reel

Output Load
Blank: 15 pF
L1: 50 pF
L2: 15 TTL
L3: 50 TTL

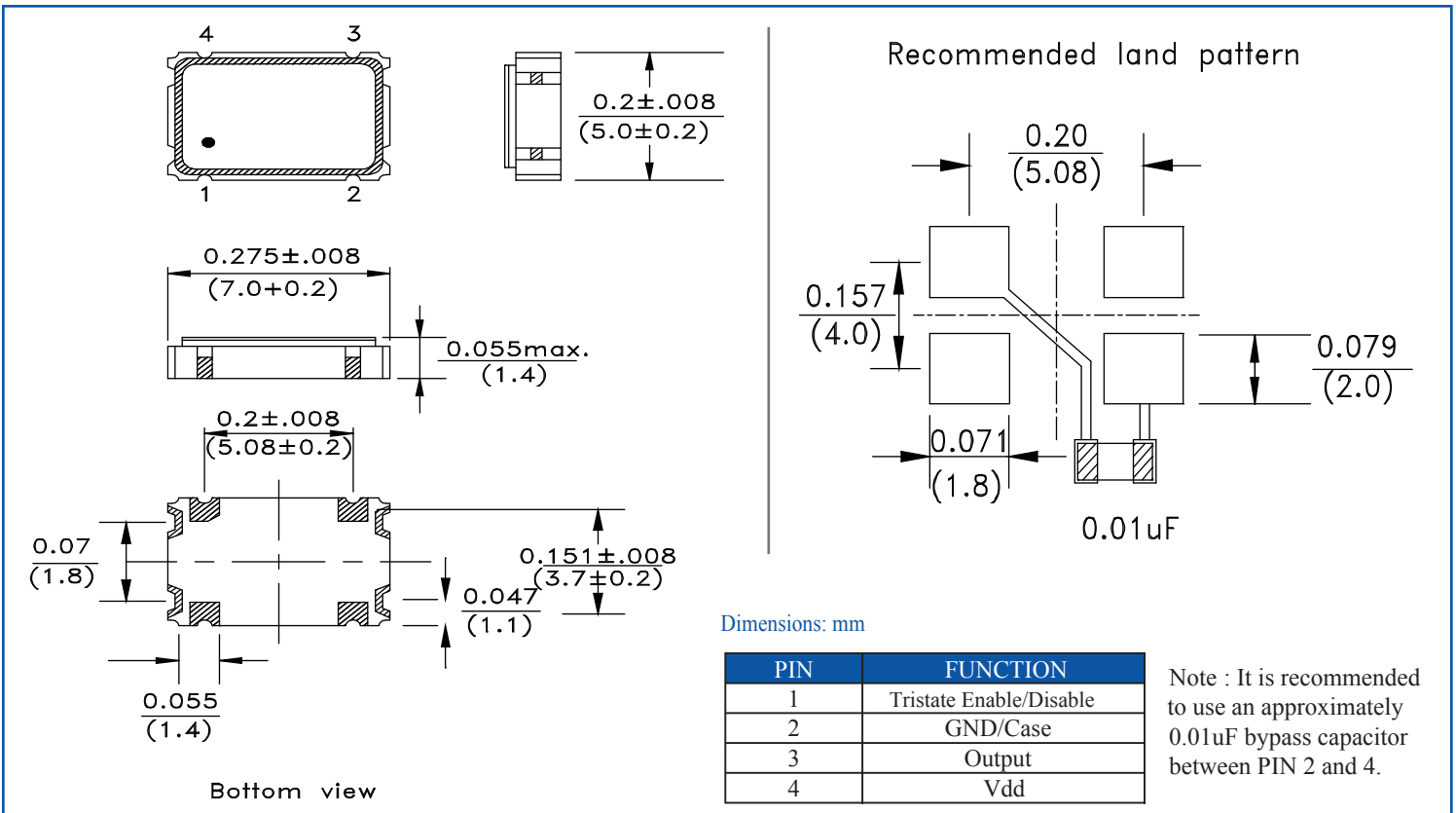
Operating Temp.
I: 0°C ~ +50°C
D: -10°C ~ +60°C
E: -20°C ~ +70°C
F: -30°C ~ +70°C
N: -30°C ~ +85°C
L: -40°C ~ +85°C

Freq. Stability
J: ± 20 ppm(*)
R: ± 25 ppm
K: ± 30 ppm
H: ± 35 ppm
C: ± 50 ppm

Symmetry
Blank: 40/60% @1/2Vdd
S: 45/55% @1/2Vdd

(*) Temp option I, D, E, F, N and -10°C ~ +70°C only.

OUTLINE DRAWING:



HCMOS COMPATIBLE SURFACE MOUNT LOW PROFILE (1.4max) CRYSTAL CLOCK OSCILLATOR

ASV2 SERIES

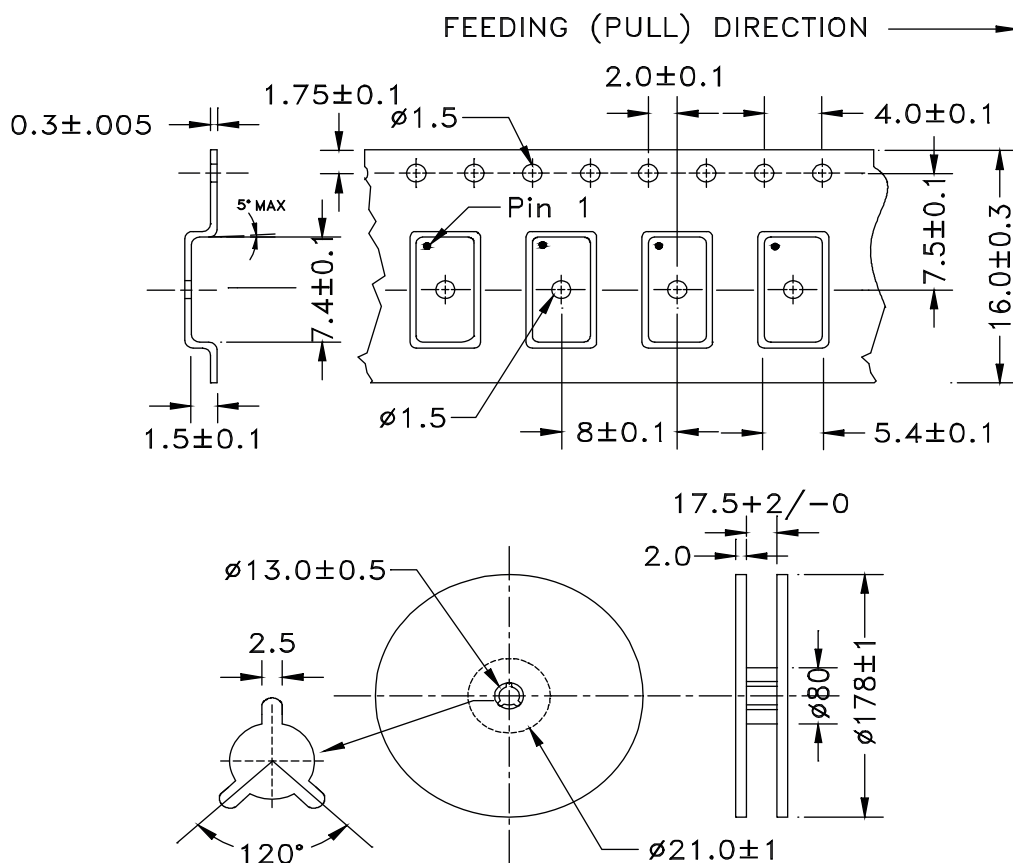


RoHS
Compliant



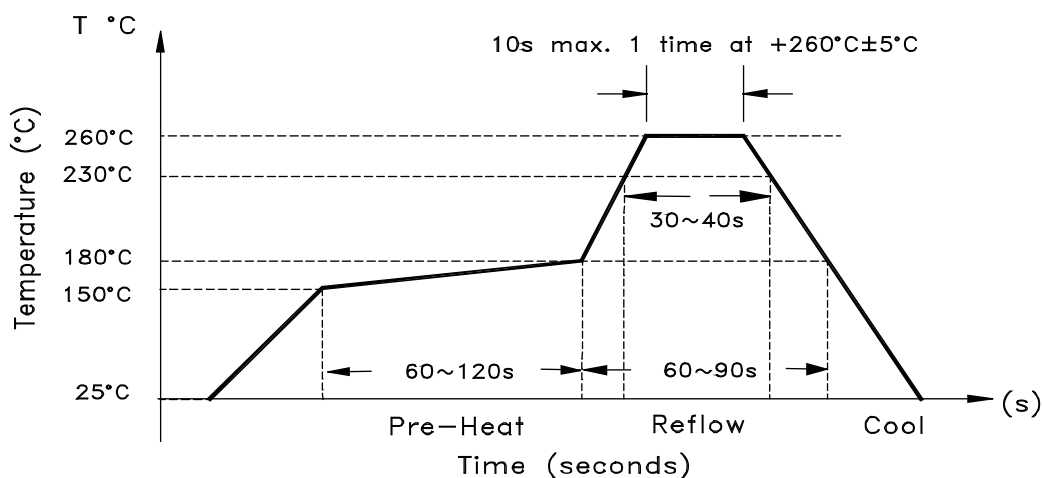
7.0 x 5.0 x 1.4mm

TAPE & REEL: Tape and reel 1,000pcs/reel



Dimensions: mm

REFLOW PROFILE:



ATTENTION: Abracon Corporation's products are COTS – Commercial-Off-The-Shelf products; suitable for Commercial, Industrial and, where designated, Automotive Applications. Abracon's products are not specifically designed for Military, Aviation, Aerospace, Life-dependant Medical applications or any application requiring high reliability where component failure could result in loss of life and/or property. For applications requiring high reliability and/or presenting an extreme operating environment, written consent and authorization from Abracon Corporation is required. Please contact Abracon Corporation for more information.

Need a test socket for the ASV2 Series? To view compatible **PRECISION TEST & BURN-IN SOCKETS** for these parts, [click here](#). P/N AXS-7050-04-17

ABRACON IS
ISO9001:2008
CERTIFIED



Visit www.abracon.com for Terms & Conditions of Sale **Revised: 10.29.10**
30332 Esperanza, Rancho Santa Margarita, California 92688
tel 949-546-8000 | fax 949-546-8001 | www.abracon.com