

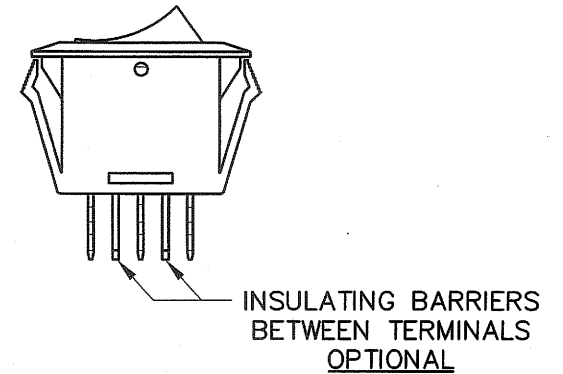
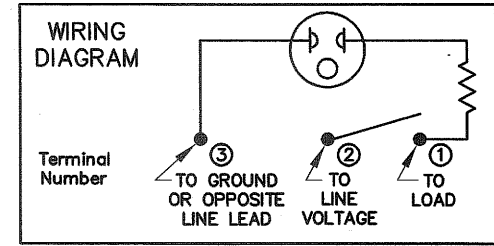
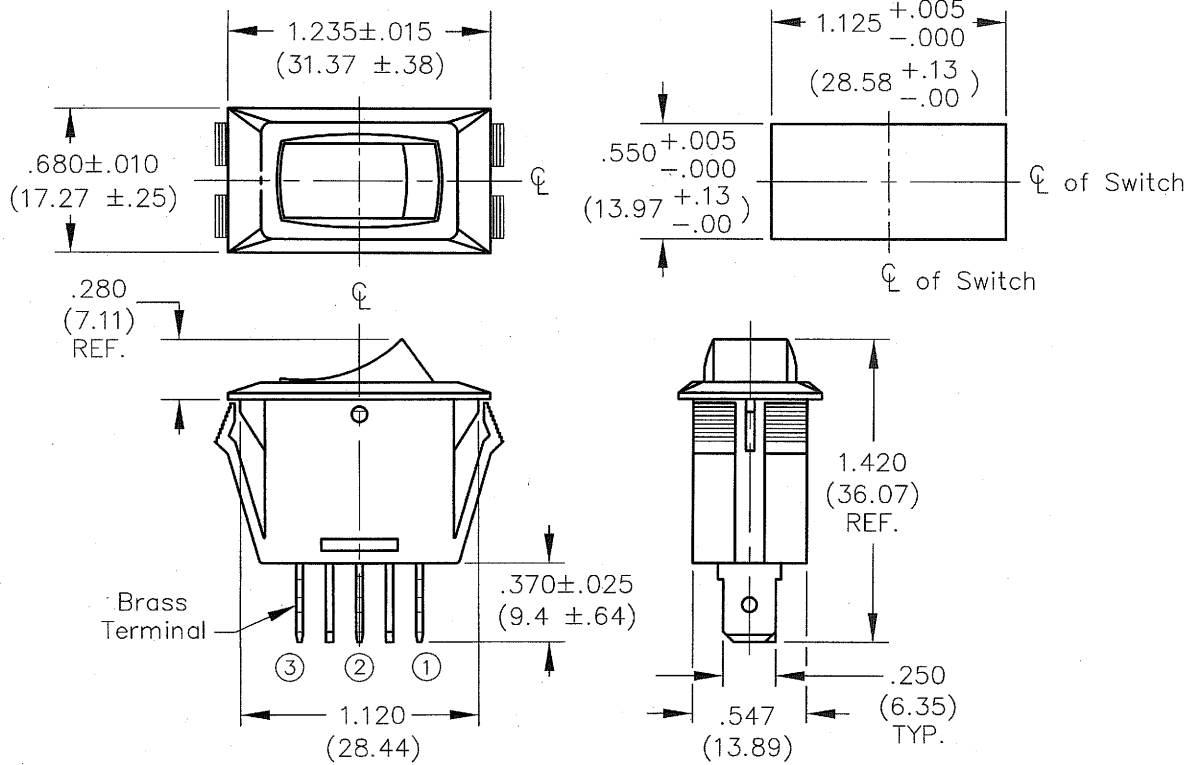
F
 D
 C
 B
 A

THIS INFORMATION IS CONFIDENTIAL AND PROPRIETARY TO CW INDUSTRIES, INCORPORATED AND ITS AFFILIATES. IT MAY NOT BE DISCLOSED TO ANYONE OTHER THAN CW INDUSTRIES PERSONNEL, WITHOUT WRITTEN AUTHORIZATION FROM CW INDUSTRIES INCORPORATED, SOUTHAMPTON, PENNSYLVANIA USA.

DIMENSIONS IN INCHES (MILLIMETERS)
 DO NOT SCALE DRAWING

Dwg. No.
GRL-2011-XXXX

PANEL PIERCING



B-FORMAT 2002 REVISIONS RELEASED: 8-04-2010 DCW 0112 7103							GW INDUSTRIES Southampton, Pa. 18966 TOLERANCES UNLESS OTHERWISE SPECIFIED 2 Place Decimal ±.010 METRIC 3 Place Decimal ±.005 1 Place Dec. ±.25mm Angles ±1° 2 Place Dec. ±.13mm	Title: LIGHTED ROCKER SWITCH ASSEMBLY S.P./S.T.	
							Made for: CW IND.	Division: SWITCH	
							Drawn by: DGW 8-04-2010	Dwg. No.	
							Checked by: <i>Greg Held</i> 10-27-10	GRL-2011-XXXX	
							Approval: <i>Edward L. Paul</i> 10-27-10		

MASTER