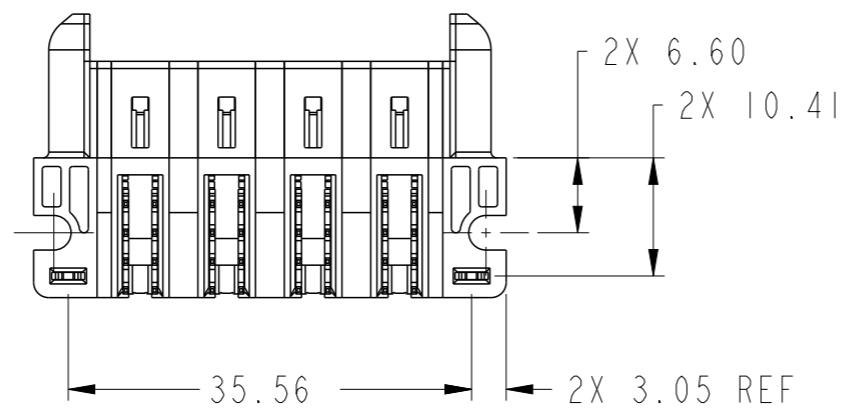
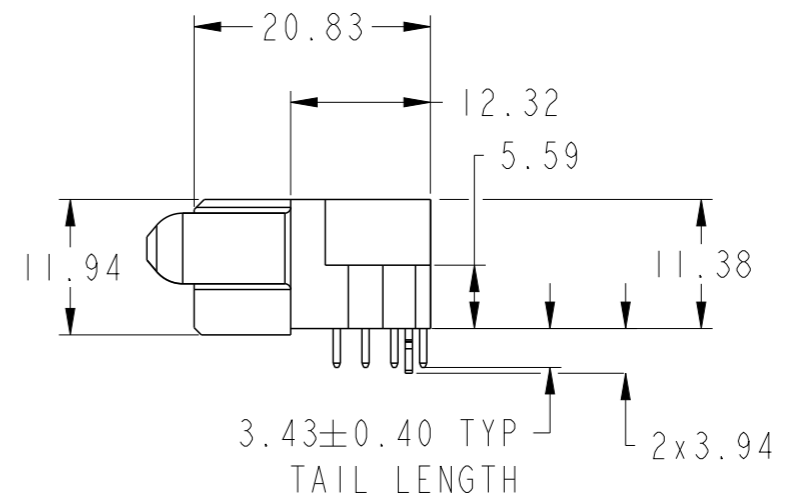
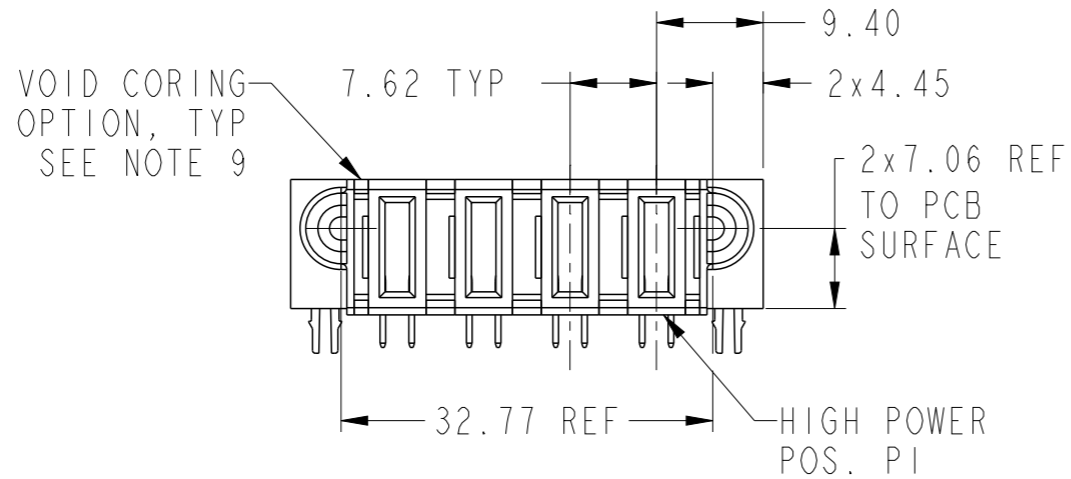
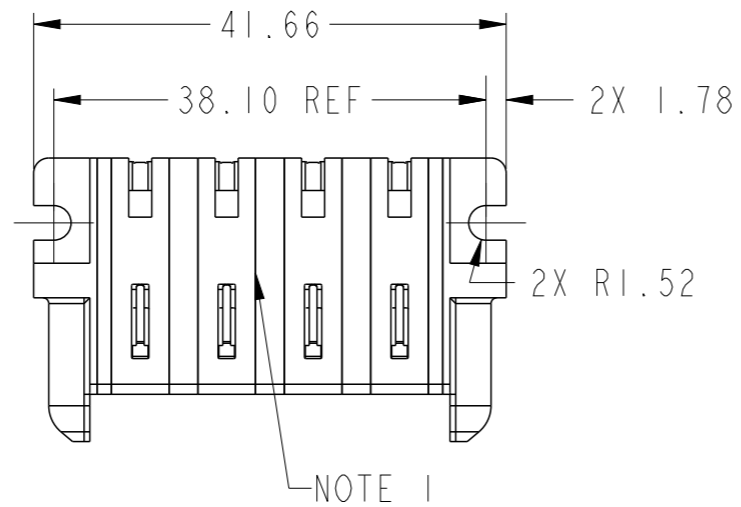


PRODUCT NUMBER SEE SHEET 2



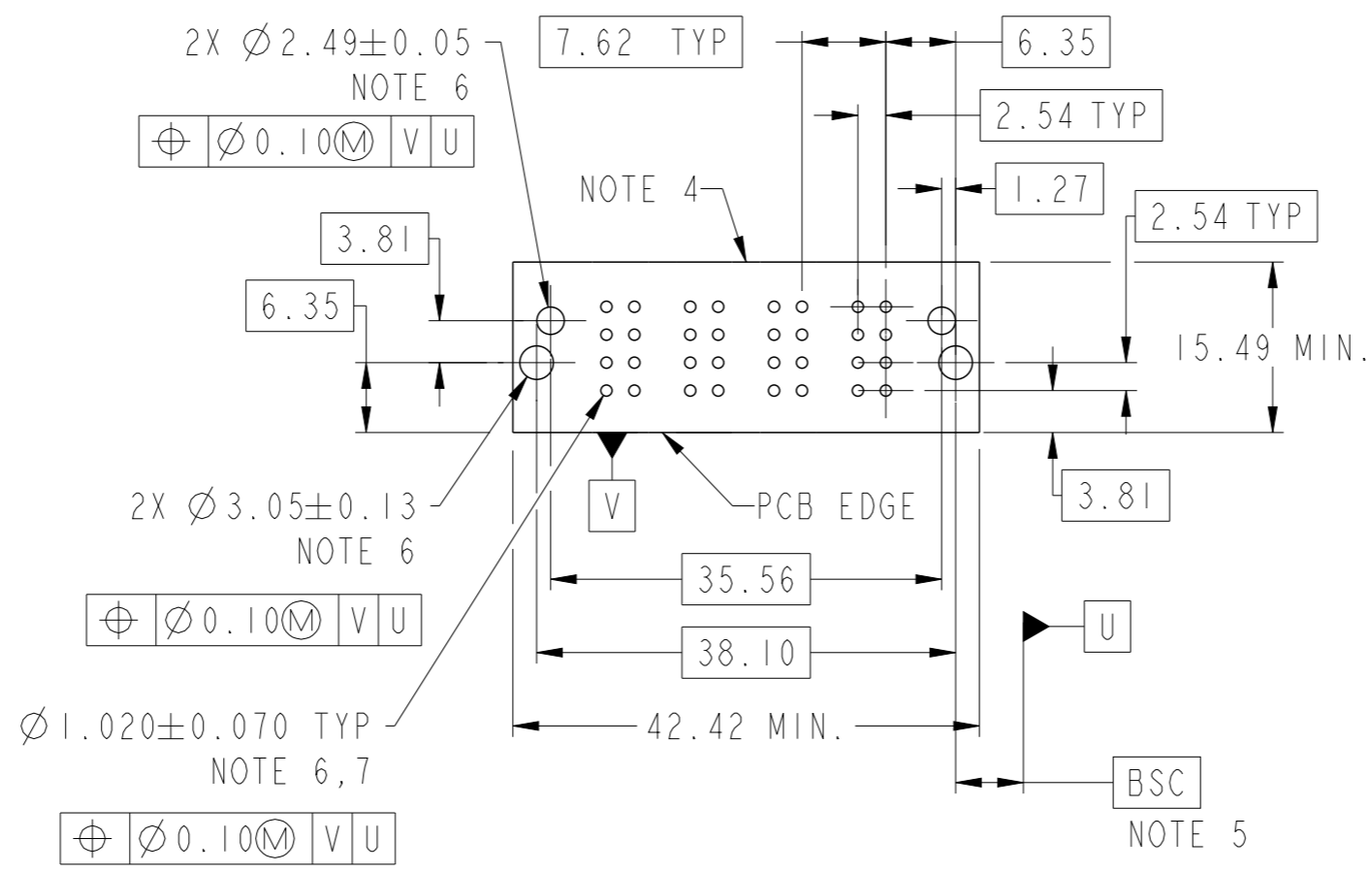
spec ref	*	dr	Zhen-Hua Liu	2015/06/26	projection	MM	size	A3	scale	3:2
tolerance std	ASME Y14.5	eng	Zhen-Hua Liu	2015/07/17			ecn no	-	rel level	Released
TOLERANCES UNLESS OTHERWISE SPECIFIED		chr	Fancy Zhang	2015/07/16						
surface	<input checked="" type="checkbox"/> linear <input type="checkbox"/> angular	0.X ±0.5 0.XX ±0.25 0.XXX ±0.10			title	4ACP		dwg no	10106118-4000001	
ASME Y14.5	0° ±2°	www.fci.com		cat. no.	Product - Customer Drw			rev	A	



Copyright FCI.

PRODUCT NO.	ROWS	HIGH POWER					
		E1	P4	P3	P2	P1	E2
10106118-4000001LF	DCBA		H3	H3	H3	H3	

CODE	DESCRIPTION
H3	STD HIGH POWER CONTACT(3.43)
HA	METAL HOLD DOWN



Copyright FCI.

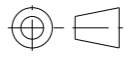
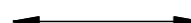

dr	Zhen-Hua Liu	2015/06/26	projection 	MM ←→	size	A3	scale	3:2	
eng	Zhen-Hua Liu	2015/07/17			ecn no	-			
chr	Fancy Zhang	2015/07/16			rel level	Released			
appr	Pei-Ming Zheng	2015/07/16	product family	PwrBlade+					
www.fci.com		cat. no.	4ACP RA STB RECEPTACLE		dwg no	10106118-4000001		rev	A
			Product - Customer Drw		sheet 2 of 3				

NOTES:

- 1) "FCI", PART NUMBER AND DATE CODE TO BE MARKED ON THIS SURFACE.  
THE MARK CAN BE OMITTED IF THERE IS NOT ENOUGH SPACE ON THIS SURFACE.
- 2) MATERIALS:  
-HOUSING - GLASS FILLED WITH HIGH TEMP THERMOPLASTIC, UL94V-0.  
-SIGNAL CONTACT - COPPER ALLOY.  
-POWER CONTACT - HIGH CONDUCTIVITY COPPER ALLOY.
- 3) PLATING SPECIFICATION : 10116351
- 4) DENOTES CONNECTOR KEEP OUT ZONE.
- 5) DATUM AND BASIC DIMENIONS WERE ESTABLISHED BY CUSTOMER.
- 6) ALL HOLE DIAMETERS ARE FINISHED HOLE SIZES.
- 7)  $1.15 \pm 0.025$ MM DRILLED HOLE PLATED WITH 0.00762MM MIN Sn  
OVER 0.0254-0.0762MM Cu PLATING TO ACHIEVE A  $1.02 \pm 0.07$ MM HOLE.
- 8) PRODUCT SPECIFICATION : GS-12-658.  
APPLICATION SPECIFICATION : GS-20-141.  
PRODUCT PACKAGE SPECIFICATION : GS-14-1502.
- 9) THE VOID CORING IN BETWEEN POWER MODULES, SIGNAL  
MODULES AND END MODULES ARE OPTIONAL AND THE SHAPE  
MAY BE DIFFERENT FOR OPTIMIZE THE MOLDING PROCESS. THE  
VOID CORING WILL NOT EFFECT TO PRODUCT FUNCTION.



Copyright FCI.

dr	Zhen-Hua Liu	2015/06/26	projection 	MM 	size	A3	scale	3:2
eng	Zhen-Hua Liu	2015/07/17			ecn no	-		
chr	Fancy Zhang	2015/07/16			product family	PwrBlade+	rel level	Released
appr	Pei-Ming Zheng	2015/07/16						
		title 4ACP RA STB RECEPTACLE		dwg no 10106118-4000001	rev A			
www.fci.com		cat. no.	Product - Customer Drw		sheet 3 of 3			