

6 5 4 3 2 1

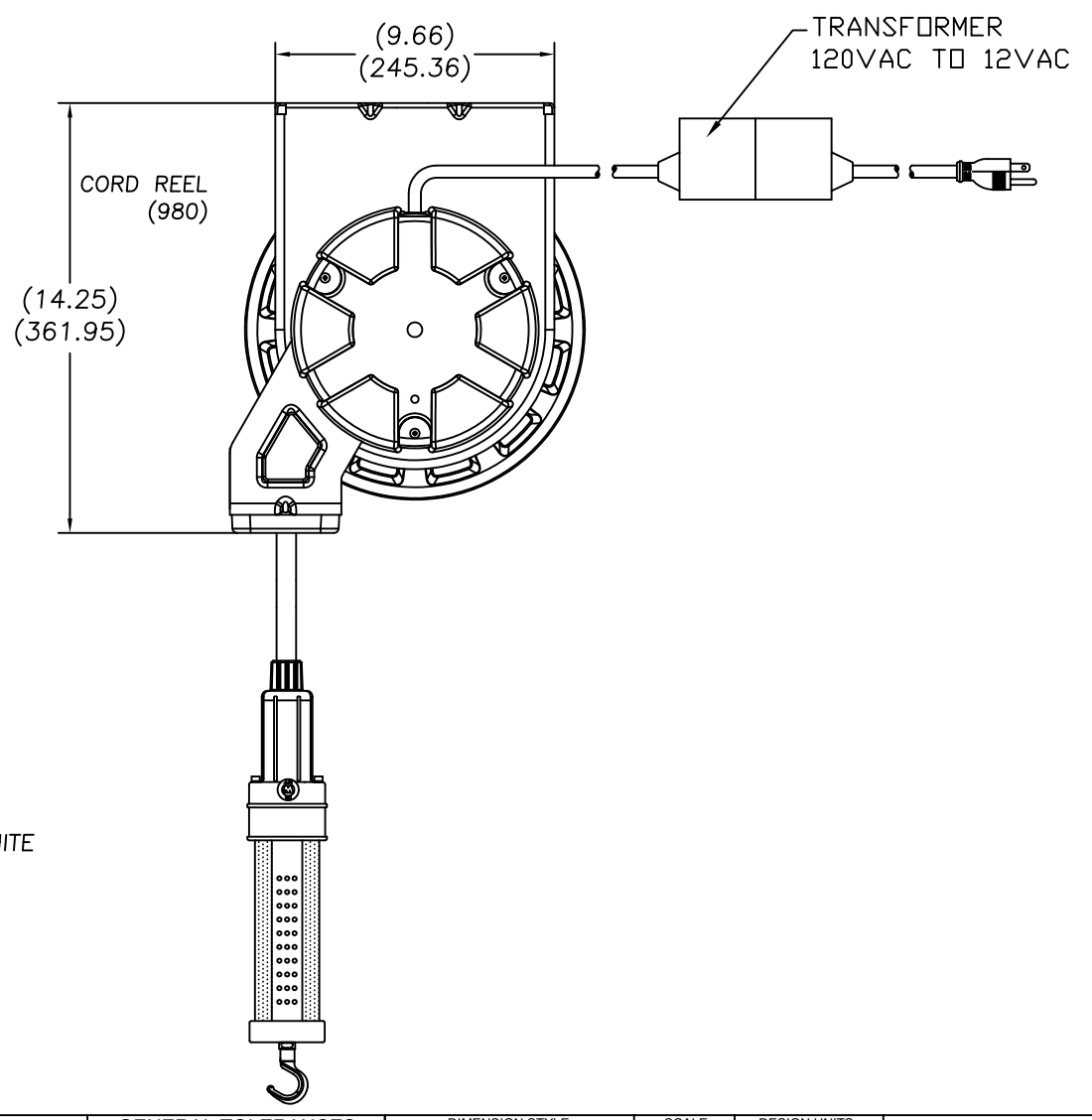
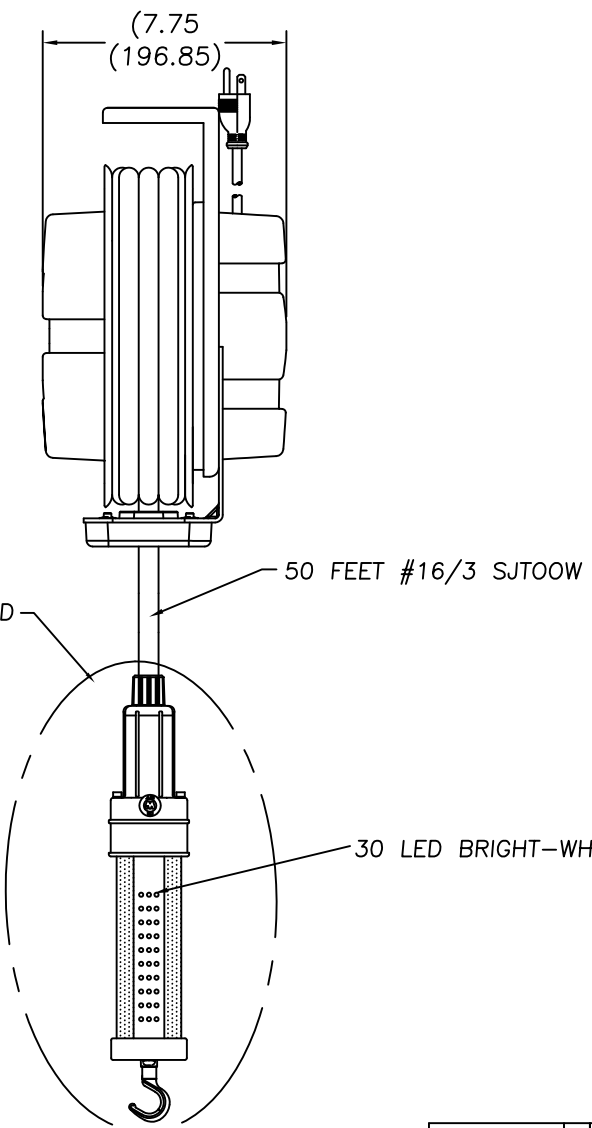
E

D

C

B

A



RELEASE DRAWING EC NO: WNA2010-0697 DRWN: TVICKERS 2010/05/10 CHKD: DWILLIA APPR: DTITUS 2010/06/15	DESCRIPTION REV	QUALITY SYMBOLS ▽=0 ▽C=0	GENERAL TOLERANCES (UNLESS SPECIFIED)		DIMENSION STYLE IN/MM		SCALE NTS	DESIGN UNITS INCH	THIRD ANGLE PROJECTION	
			4 PLACES ±--- ±--- 3 PLACES ±--- ±.005 2 PLACES ±0.13 ±.010 1 PLACE ±0.25 ±.020	DRAWN BY DATE TVICKERS 2010/05/10	TITLE 980 CORD REEL W/50' #16/3 SJTOOW 1083-3LED HAND LAMP					
			ANGULAR ±.5°	CHECKED BY DATE D.WILLIA 2010/05/10	MOLEX INCORPORATED					
			DRAFT WHERE APPLICABLE MUST REMAIN WITHIN DIMENSIONS	APPROVED BY DATE DTITUS 2010/06/14	MATERIAL NO. 1300910198	DOCUMENT NO. SD-130091-003	SHEET NO. 1 OF 1			
		SIZE A	THIS DRAWING CONTAINS INFORMATION THAT IS PROPRIETARY TO MOLEX INCORPORATED AND SHOULD NOT BE USED WITHOUT WRITTEN PERMISSION							

6 5 4 3 2 1