

6 5 4 3 2 1

E

D

C

B

A

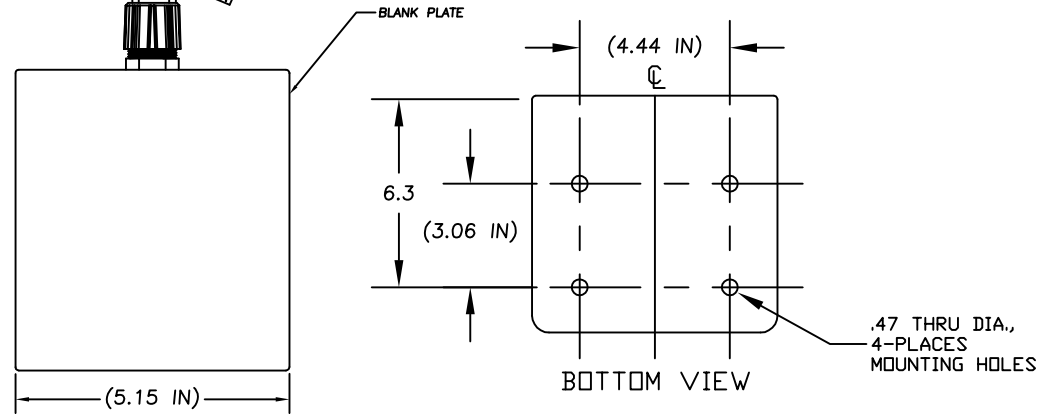
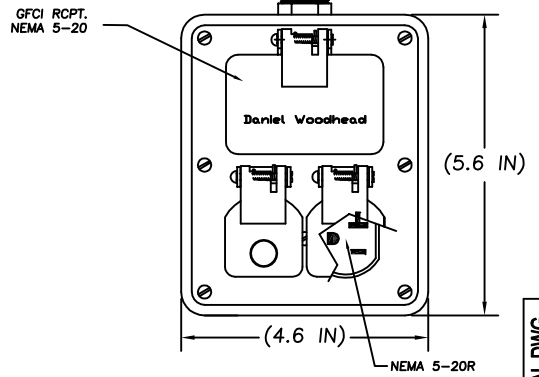
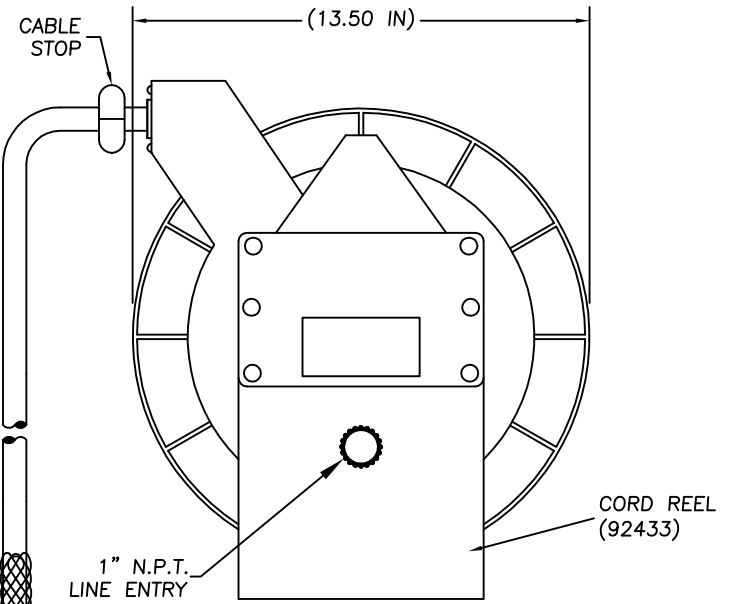
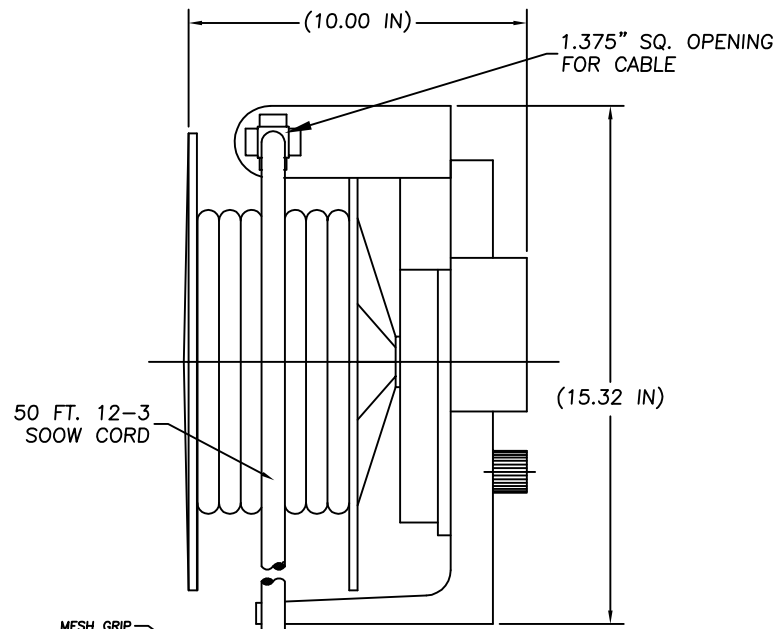
E

D

C

B

A



QUOTE #SPR6288 MAREIAL #1300830869
CUSTOMER APPROVAL SIGNATURE & DATE
SIGNATURE DATE

CUSTOMER APPROVAL DWG
EC NO: WNA2009-0221
DRWN: HKNEELAN 2008/10/02
CHKD: HKNEELAN 2008/10/02
APPR: JPAWLICK 2008/10/23

QUALITY SYMBOLS
▽=0
∇=0

GENERAL TOLERANCES (UNLESS SPECIFIED)		
	mm	INCH
4 PLACES	±---	±---
3 PLACES	±---	±.005
2 PLACES	±---	±.010
1 PLACE	±---	±.020
ANGULAR ±1/2°		
DRAFT WHERE APPLICABLE MUST REMAIN WITHIN DIMENSIONS		

DIMENSION STYLE INCHES	
DRAWN BY	DATE
HK	2008/10/02
CHECKED BY	DATE
HK	2008/10/02
APPROVED BY	DATE
HK	2008/10/02
MATERIAL NO.	1300830869
SIZE	A

SCALE	NTS	DESIGN UNITS	INCH	THIRD ANGLE PROJECTION
TITLE 92433 OUTLET BOX (2) DPLX GFCI NEMA 5-20R WIRE MESH GRIP				
MOLEX INCORPORATED				
DOCUMENT NO. SD-130083-004				SHEET NO. 1 OF 1
THIS DRAWING CONTAINS INFORMATION THAT IS PROPRIETARY TO MOLEX INCORPORATED AND SHOULD NOT BE USED WITHOUT WRITTEN PERMISSION				

6 5 4 3 2 1